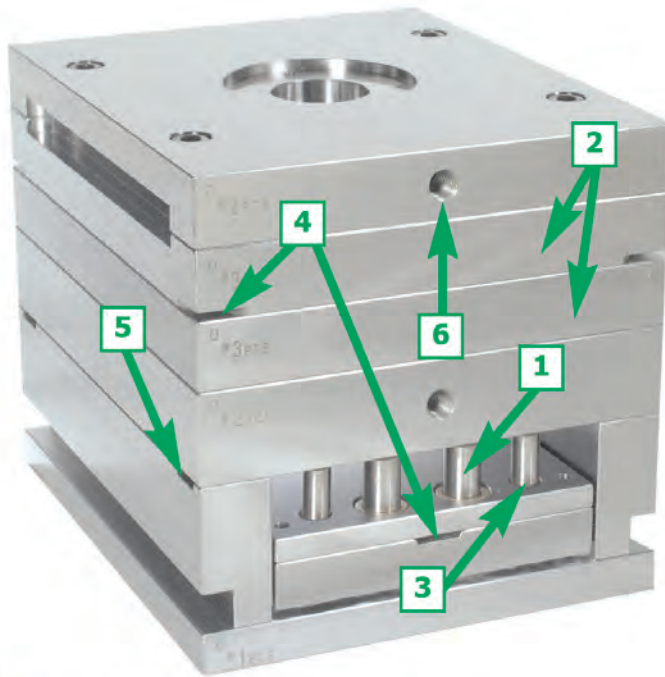


Standard Mold Base Stack-up.....	A3
Mold Base Standard P20 Overview.....	A4
Mold Base 88 (7-7/8" x 7-7/8") On Center Guided Ejection.....	A5
Mold Base 88 (7-7/8" x 7-7/8") Offset Guided Ejection.....	A6
Mold Base 812 (7-7/8" x 11-7/8").....	A7
Mold Base 108 (9-7/8" x 8").....	A8
Mold Base 1012 (9-7/8" x 11-7/8").....	A9
Mold Base 1016 (9-7/8" x 16").....	A10
Mold Base 1112 (10-7/8" x 12").....	A11
Mold Base 1114 (10-7/8" x 14").....	A12
Mold Base 1118 (10-7/8" x 18").....	A13
Mold Base 1212 (11-7/8" x 12").....	A14
Mold Base 1215 (11-7/8" x 15").....	A15
Mold Base 1220 (11-7/8" x 20").....	A16
Mold Base 1223 (11-7/8" x 23-1/2").....	A17
Mold Base 1315 (13-3/8" x 15").....	A18
Mold Base 1318 (13-3/8" x 18").....	A19
Mold Base 1321 (13-3/8" x 20-3/4").....	A20
Mold Base 1326 (13-3/8" x 26").....	A21
Mold Base 1518 (14-7/8" x 17-7/8").....	A22
Mold Base 1524 (14-7/8" x 23-3/4").....	A23
Mold Base 1616 (15-7/8" x 16").....	A24
Mold Base 1620 (15-7/8" x 20").....	A25
Mold Base 1623 (15-7/8" x 23-1/2").....	A26
Mold Base 1626 (15-7/8" x 26").....	A27
Mold Base 1629 (15-7/8" x 29-1/2").....	A28
Mold Base 1818 (17-7/8" x 18").....	A29
Mold Base 1820 (17-7/8" x 20").....	A30
Mold Base 1823 (17-7/8" x 23-1/2").....	A31
Mold Base 1826 (17-7/8" x 26").....	A32
Mold Base 1924 (19-1/2" x 23-3/4").....	A33
Mold Base 1929 (19-1/2" x 29-1/2").....	A34
Mold Base 2424 (23-3/4" x 23-3/4").....	A35
Mold Base 2429 (23-3/4" x 29-1/2").....	A36
Mold Base 2435 (23-3/4" x 35-1/2").....	A37
Mold Base Stainless Steel.....	A38

MOLD BASES

Mold Base Aluminum.....	A39
Mold Base Special.....	A40
Mold Plate Blank Finish Ground.....	A41
Mold Plate Blank #1 Steel Ejector.....	A42
Mold Plate Blank #1 Steel Ejector Retainer.....	A43
Ejector Housings #1 Steel.....	A44
Mold Plate Blank #7 Stainless Steel Ejector & Ejector Retainer.....	A45
Mold Plate Blank #7 Stainless Steel Rails.....	A46
1/4" Insulator Sheets (with center hole and blank).....	A48
1/2" Insulator Sheets (with center hole and blank).....	A49
F.I.T.S.® Frames & Inserts.....	A51
F.I.T.S.® 05/05 Series Solid Style Inserts.....	A52
F.I.T.S.® 08/09 Series Solid Style Inserts.....	A53
F.I.T.S.® 08/10 Series Solid Style Inserts.....	A54
F.I.T.S.® 84/90 Series Solid Style Inserts.....	A55
F.I.T.S.® 10/12 Series Solid Style Inserts.....	A56
F.I.T.S.® 10/14 Series Solid Style Inserts.....	A57
F.I.T.S.® 08/09 Series Solid Plus Style Inserts.....	A58
F.I.T.S.® 08/09 Series Laminated Style Inserts.....	A59
F.I.T.S.® 08/10 Series Laminated Style Inserts.....	A60
F.I.T.S.® 84/90 Series Laminated Style Inserts.....	A61
F.I.T.S.® 10/12 Series Laminated Style Inserts.....	A62
F.I.T.S.® 10/14 Series Laminated Style Inserts.....	A63
F.I.T.S.® 08/09 Series Laminated Style Inserts.....	A64
F.I.T.S.® 08/09 Series T-Style Inserts.....	A65
F.I.T.S.® 08/10 Series T-Style Inserts.....	A66
F.I.T.S.® 84/90 Series T-Style Inserts.....	A67
F.I.T.S.® 08/09 Series T-Style Plus Inserts.....	A68
F.I.T.S.® Guided Ejector Bushings & F.I.T.S.® Sleeve Ejector Sets.....	A69
F.I.T.S.® Leader Pins.....	A70
F.I.T.S.® Shoulder Bushings.....	A71
F.I.T.S.® Snap Rings & F.I.T.S.® Socket Head Shoulder Screws.....	A72
F.I.T.S.® Support Pillars & F.I.T.S.® Tubular Dowels.....	A73

Standard Mold Base Stack-up

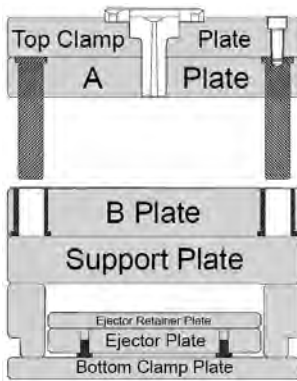


Standard Mold Base Plate Material

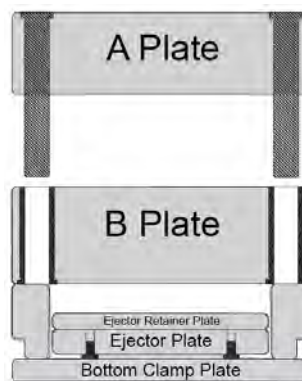
- A Plate #3 Steel
- B Plate #3 Steel
- X Plate #3 Steel
- Top Clamp Plate #2 Steel
- Support Plate #2 Steel
- Ejector Retainer Plate #1 Steel
- Ejector Plate #1 Steel
- Bottom Clamp Plate #1 Steel

- 1** Guided Ejection Included
- 2** #3 Steel A & B Plates
- 3** Relocated Return Pins

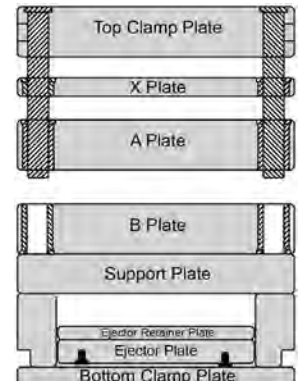
- 4** Pry Slots
- 5** Vented Leader Pins
- 6** Hoist Ring Holes



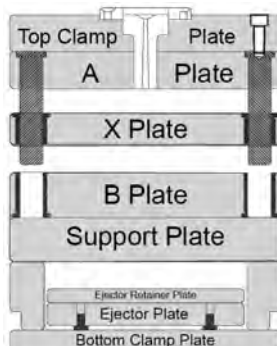
A Series



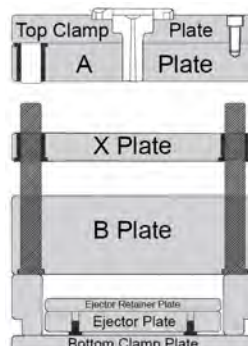
B Series



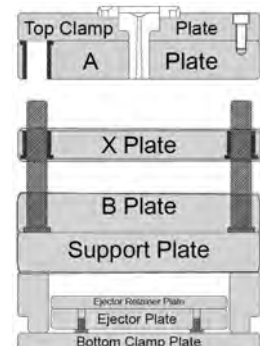
T Series



AX Series



5 Plate Stripper Series



6 Plate Stripper Series

Standard P20 Mold Bases

Mold Base Features:

- Guided Ejection
- #3 Steel A & B Plates
- Return Pins - Inboard location for spring pockets
- Pry Slots
- Vented Leader Pins
- Hoist Ring Holes
- Interchangeable Plates
- Finish ground +/- .001"

Mold Base Assemblies available in:

- A Series
- B Series
- T Series
- AX Series
- 5 Plate Stripper Series
- 6 Plate Stripper Series
- Shuttle Bases



FRAME SIZE	AVAILABLE A & B PLATE THICKNESS								
	7/8"	1-3/8"	1-7/8"	2-3/8"	2-7/8"	3-3/8"	3-7/8"	4-7/8"	5-7/8"
7-7/8" x 7-7/8"	X	X	X	X	X	X	X	X	X
7-7/8" x 11-7/8"	X	X	X	X	X	X	X	X	X
9-7/8" x 8"	X	X	X	X	X	X	X	X	X
9-7/8" x 11-7/8"	X	X	X	X	X	X	X	X	X
9-7/8" x 16"	X	X	X	X	X	X	X	X	X
10-7/8" x 12"	X	X	X	X	X	X	X	X	X
10-7/8" x 14"	X	X	X	X	X	X	X	X	X
10-7/8" x 18"	X	X	X	X	X	X	X	X	X
11-7/8" x 12"	X	X	X	X	X	X	X	X	X
11-7/8" x 15"	X	X	X	X	X	X	X	X	X
11-7/8" x 20"	X	X	X	X	X	X	X	X	X
11-7/8" x 23-1/2"	X	X	X	X	X	X	X	X	X
13-3/8" x 15"	X	X	X	X	X	X	X	X	X
13-3/8" x 18"	X	X	X	X	X	X	X	X	X
13-3/8" x 20-3/4"	X	X	X	X	X	X	X	X	X
13-3/8" x 26"	X	X	X	X	X	X	X	X	X
14-7/8" x 17-7/8"	X	X	X	X	X	X	X	X	X
14-7/8" x 23-3/4"	X	X	X	X	X	X	X	X	X
15-7/8" x 16"	X	X	X	X	X	X	X	X	X
15-7/8" x 20"	X	X	X	X	X	X	X	X	X
15-7/8" x 23-1/2"	X	X	X	X	X	X	X	X	X
15-7/8" x 26"	X	X	X	X	X	X	X	X	X
15-7/8" x 29-1/2"	X	X	X	X	X	X	X	X	X
17-7/8" x 18"	X	X	X	X	X	X	X	X	X
17-7/8" x 20"	X	X	X	X	X	X	X	X	X
17-7/8" x 23-1/2"	X	X	X	X	X	X	X	X	X
17-7/8" x 26"	X	X	X	X	X	X	X	X	X
19-1/2" x 23-3/4"	X	X	X	X	X	X	X	X	X
19-1/2" x 29-1/2"	X	X	X	X	X	X	X	X	X
23-3/4" x 23-3/4"	X	X	X	X	X	X	X	X	X
23-3/4" x 29-1/2"	X	X	X	X	X	X	X	X	X
23-3/4" x 35-1/2"	X	X	X	X	X	X	X	X	X

7-7/8" x 7-7/8" 88 Mold Base

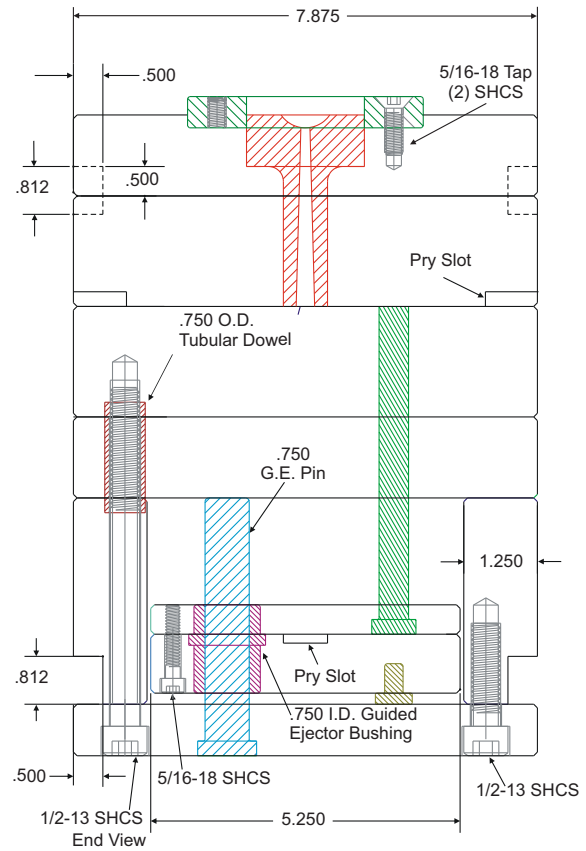
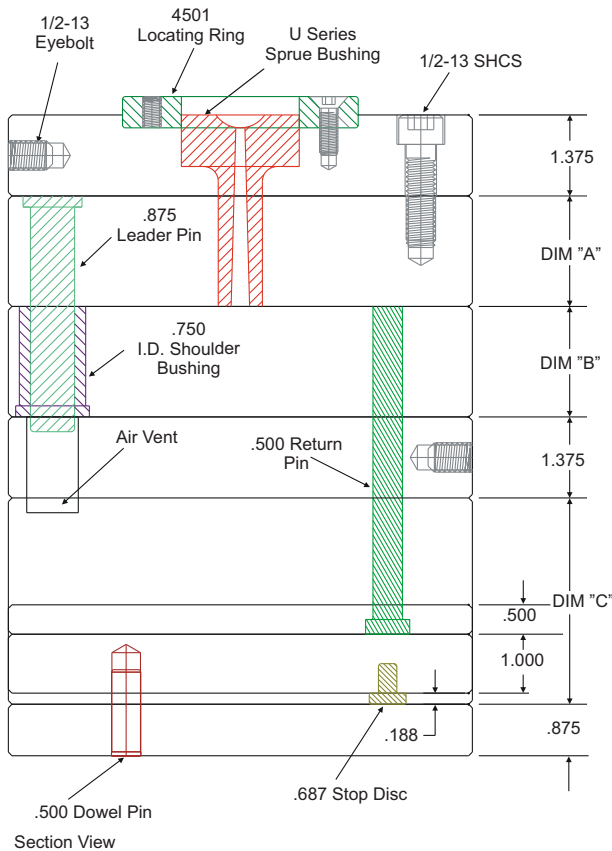
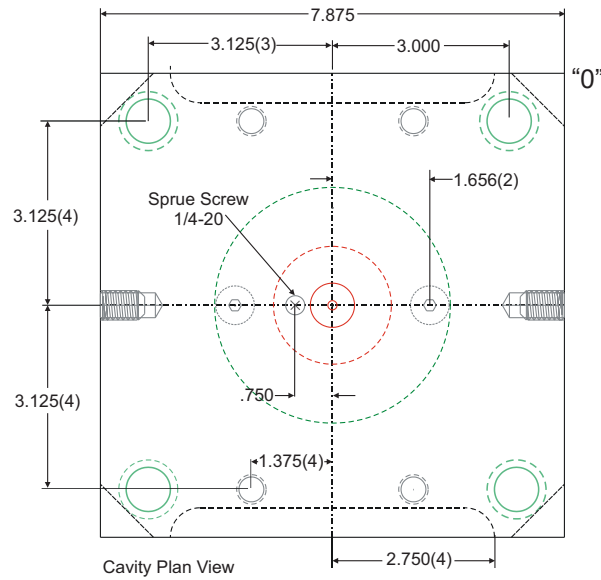
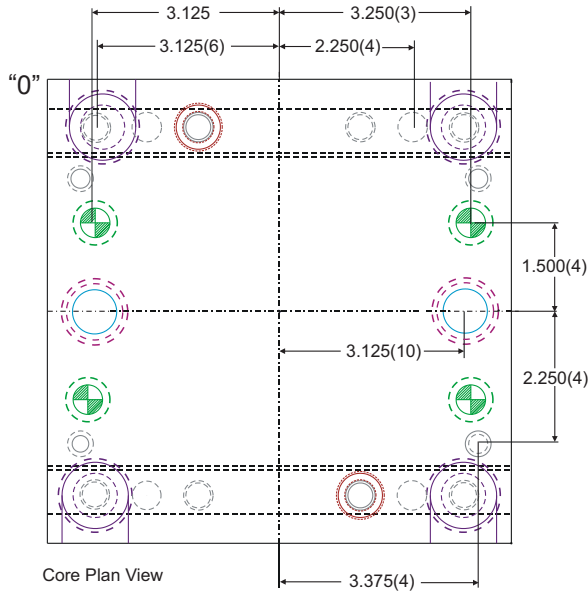
AVAILABLE PLATE THICKNESSES

	7/8	1-3/8	1-7/8	2-3/8	2-7/8	3-3/8	3-7/8	4-7/8	5-7/8
A	•	•	•	•	•	•	•	•	•
B	•	•	•	•	•	•	•	•	•

C dimensions; 2-1/2, 3, 3-1/2, 4, 4-1/2, 5, 6

Style 1: On Center Guided Ejection

U Series Sprue Bushing = .750
Guided Ejection can be omitted



7-7/8" x 7-7/8" 88 Mold Base

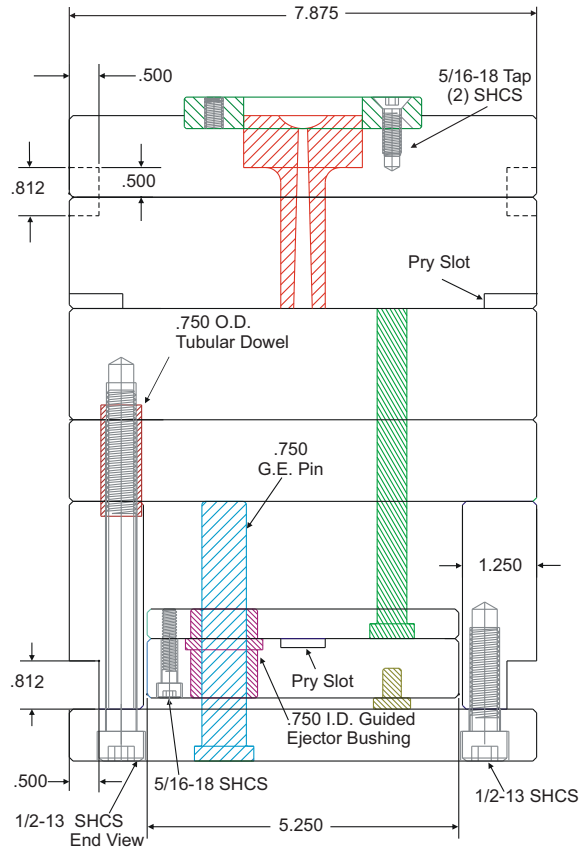
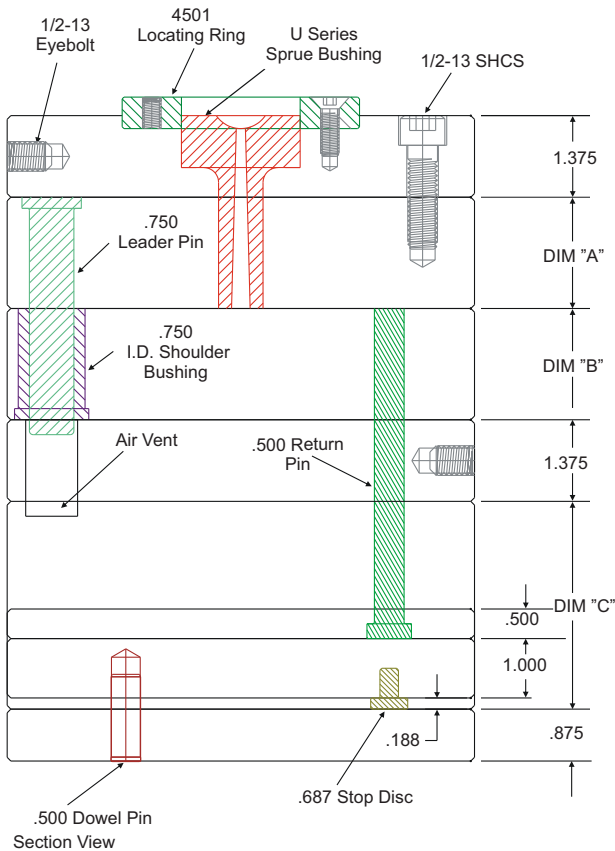
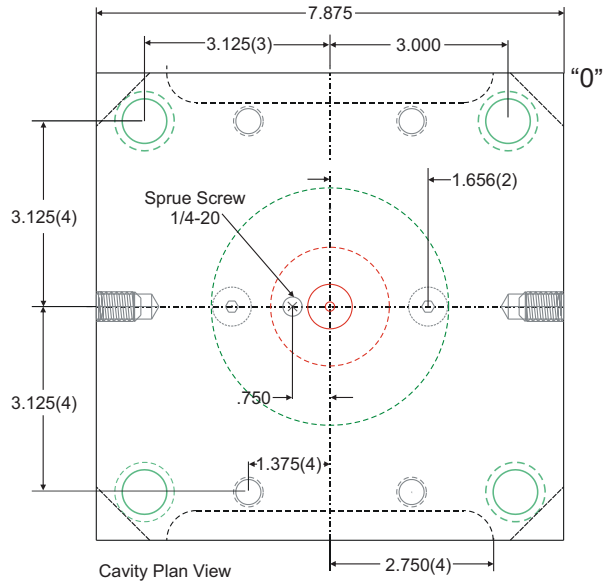
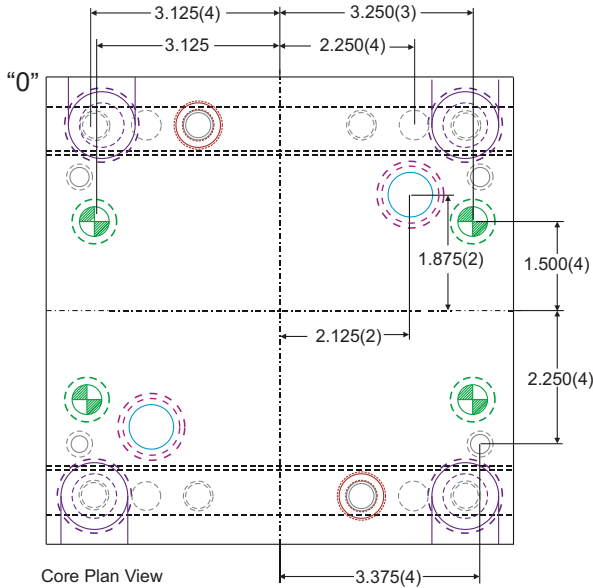
Style 2: Offset Center Guided Ejection

U Series Sprue Bushing = .750
Guided Ejection can be omitted

AVAILABLE PLATE THICKNESSES

	7/8	1-3/8	1-7/8	2-3/8	2-7/8	3-3/8	3-7/8	4-7/8	5-7/8
A	•	•	•	•	•	•	•	•	•
B	•	•	•	•	•	•	•	•	•

C dimensions; 2-1/2, 3, 3-1/2, 4, 4-1/2, 5, 6



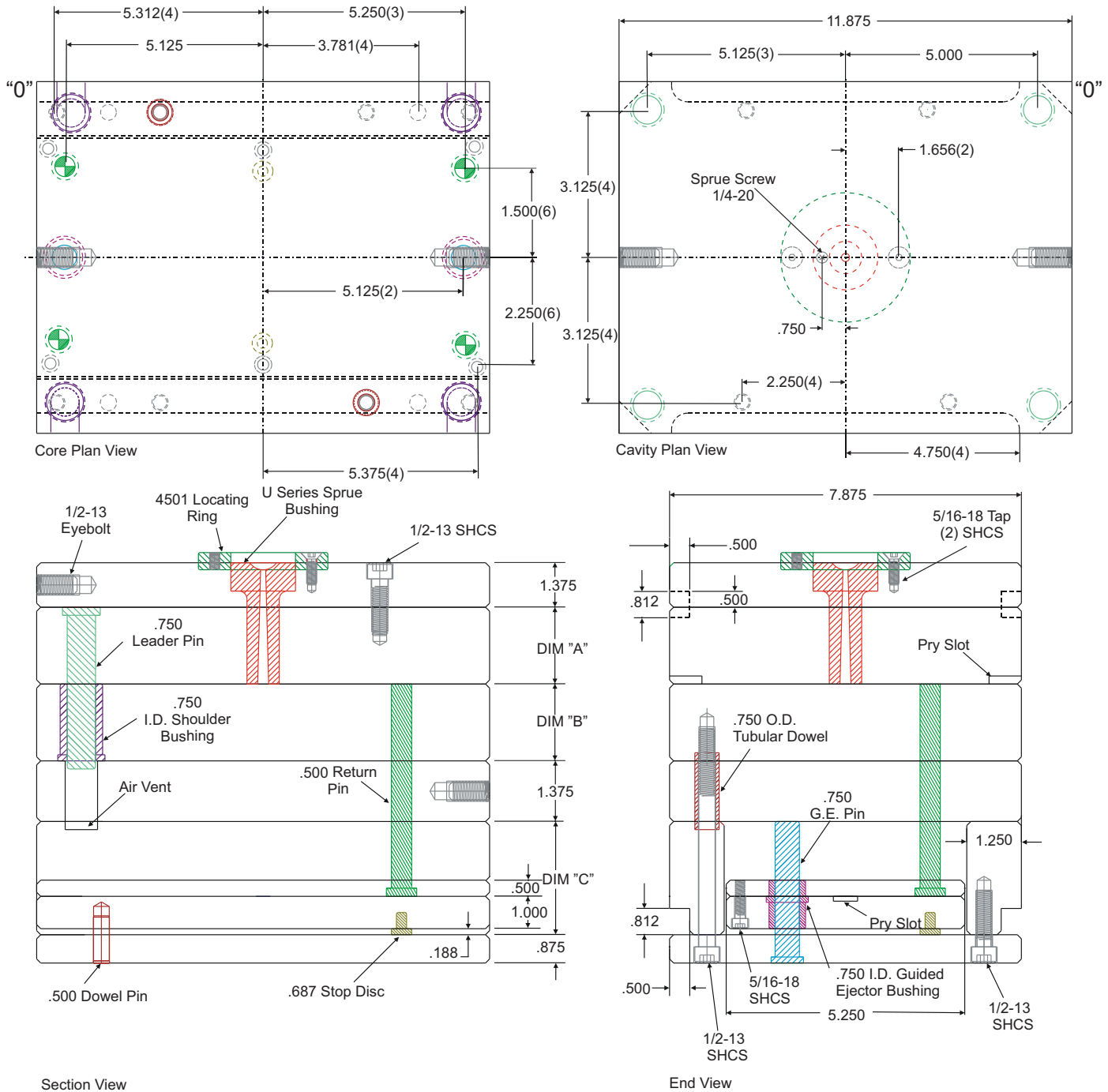
7-7/8" x 11-7/8" 812 Mold Base

AVAILABLE PLATE THICKNESSES

	7/8	1-3/8	1-7/8	2-3/8	2-7/8	3-3/8	3-7/8	4-7/8	5-7/8
A	•	•	•	•	•	•	•	•	•
B	•	•	•	•	•	•	•	•	•

C dimensions; 2-1/2, 3, 3-1/2, 4, 4-1/2, 5, 6

U Series Sprue Bushing = .750
Guided Ejection can be omitted

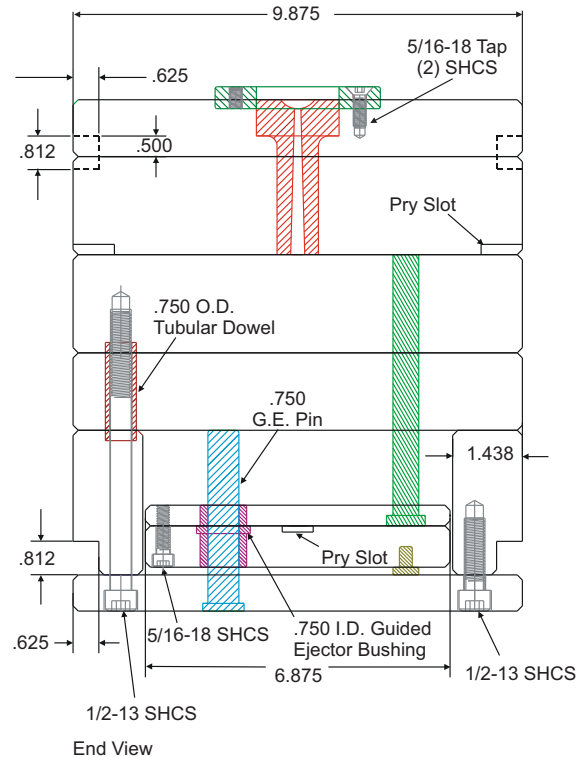
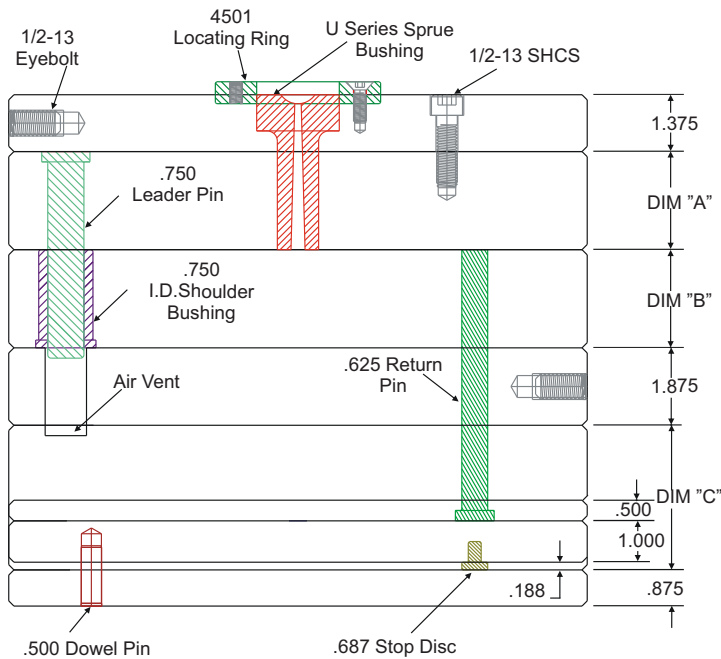
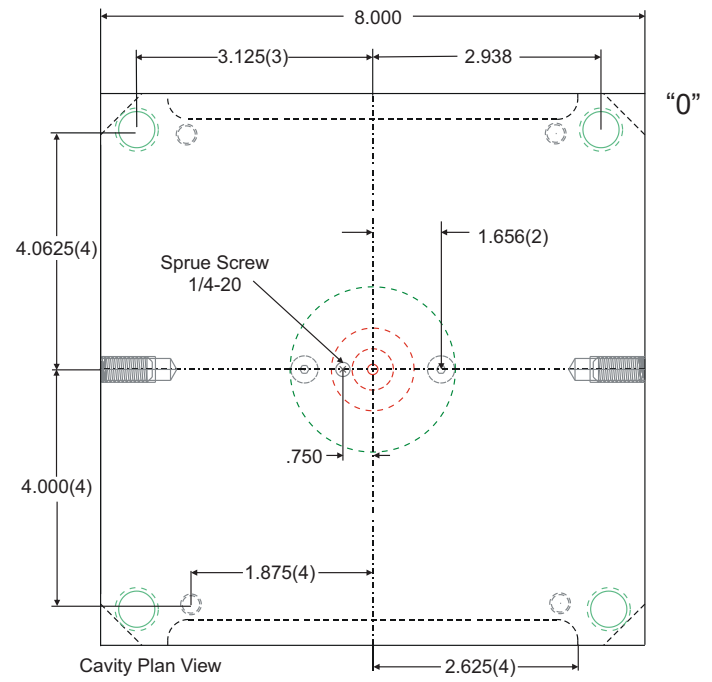
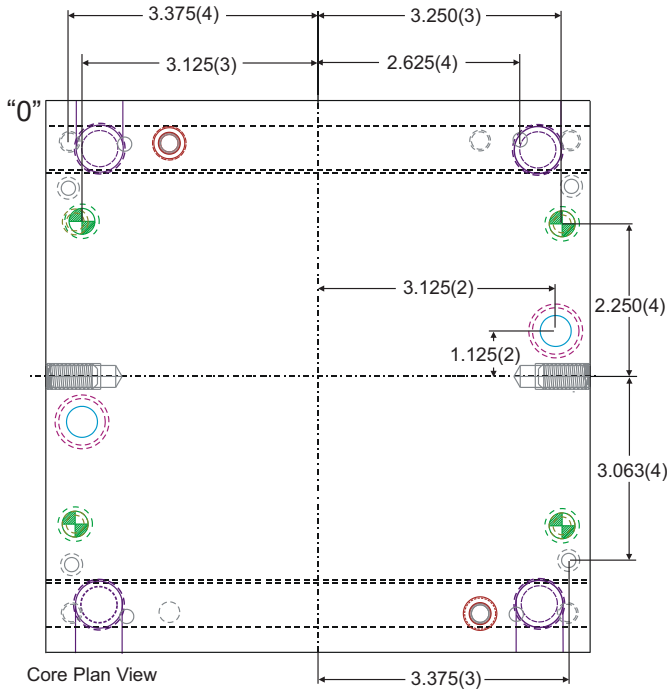


9-7/8" x 8" 108 Mold Base

U Series Sprue Bushing = .750
 Guided Ejection can be omitted

AVAILABLE PLATE THICKNESSES									
	7/8	1-3/8	1-7/8	2-3/8	2-7/8	3-3/8	3-7/8	4-7/8	5-7/8
A	•	•	•	•	•	•	•	•	•
B	•	•	•	•	•	•	•	•	•

C dimensions; 2-1/2, 3, 3-1/2, 4, 4-1/2, 5, 6



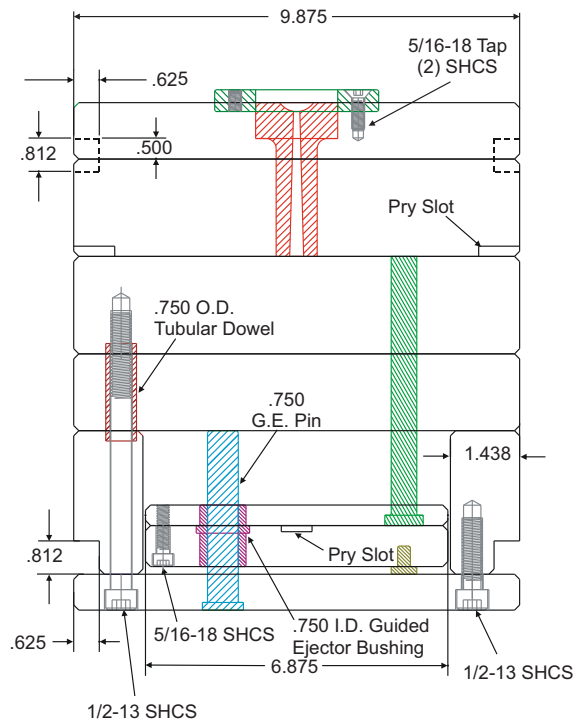
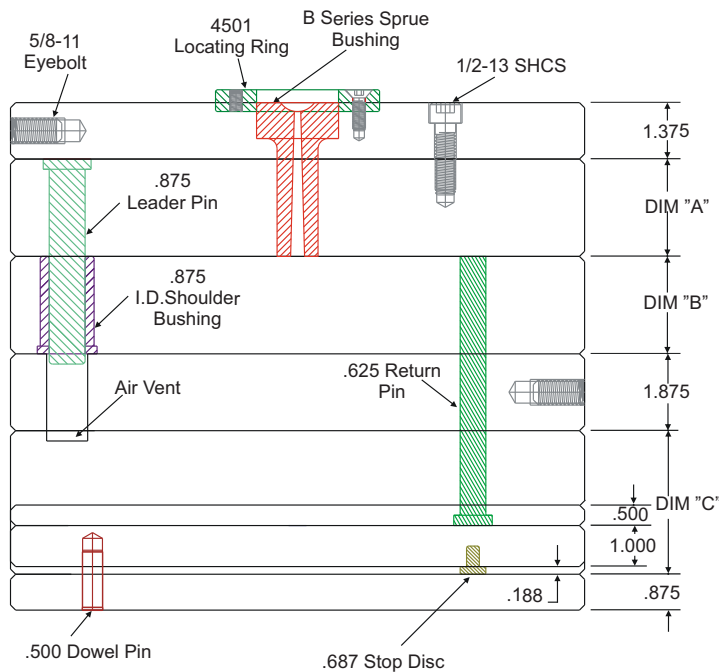
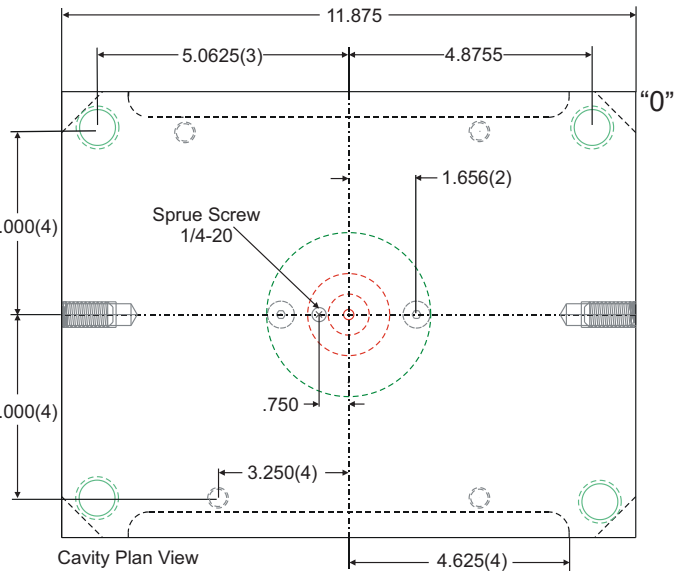
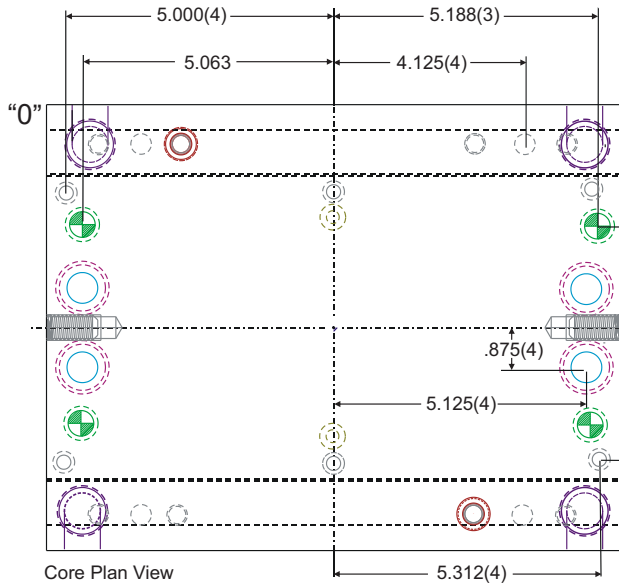
9-7/8" x 11-7/8" 1012 Mold Base

AVAILABLE PLATE THICKNESSES

	7/8	1-3/8	1-7/8	2-3/8	2-7/8	3-3/8	3-7/8	4-7/8	5-7/8
A	•	•	•	•	•	•	•	•	•
B	•	•	•	•	•	•	•	•	•

C dimensions; 2-1/2, 3, 3-1/2, 4, 4-1/2, 5, 6

B Series Sprue Bushing = 1.000
Guided Ejection can be omitted



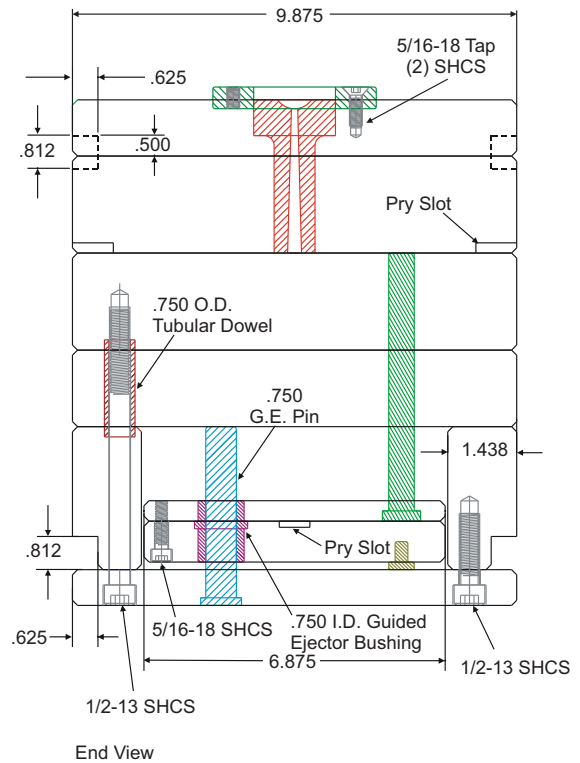
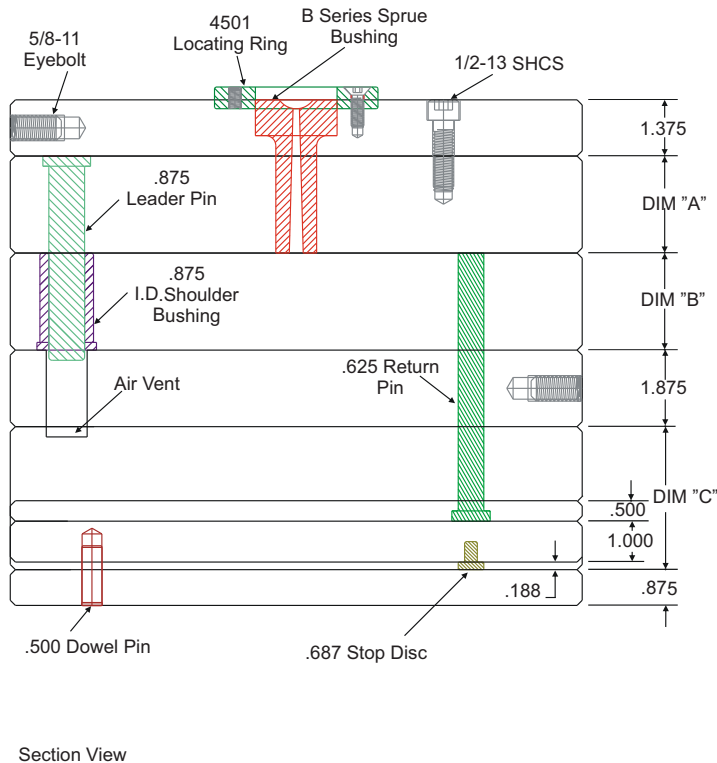
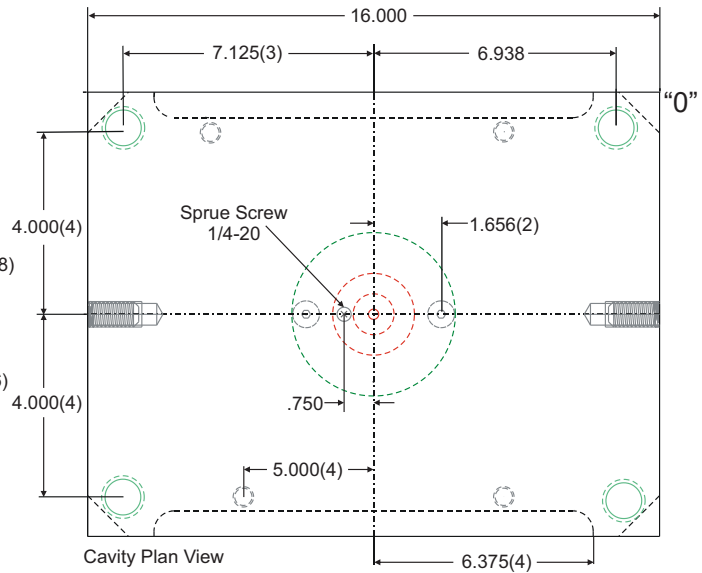
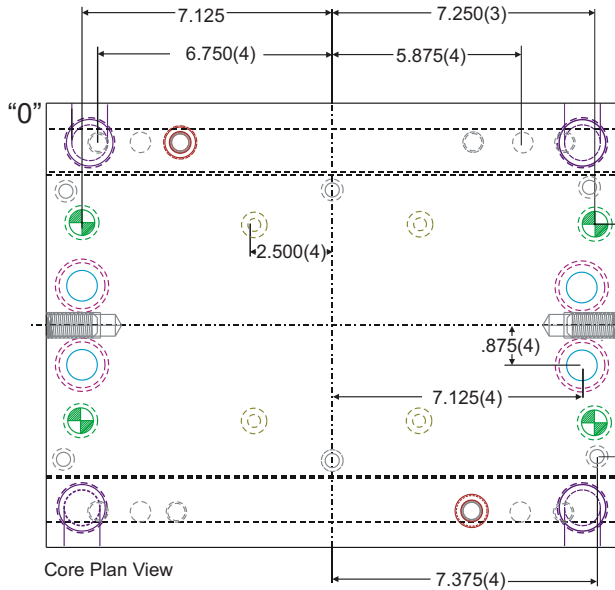
9-7/8" x 16" 1016 Mold Base

B Series Sprue Bushing = 1.000
 Guided Ejection can be omitted

AVAILABLE PLATE THICKNESSES

	7/8	1-3/8	1-7/8	2-3/8	2-7/8	3-3/8	3-7/8	4-7/8	5-7/8
A	•	•	•	•	•	•	•	•	•
B	•	•	•	•	•	•	•	•	•

C dimensions; 2-1/2, 3, 3-1/2, 4, 4-1/2, 5, 6



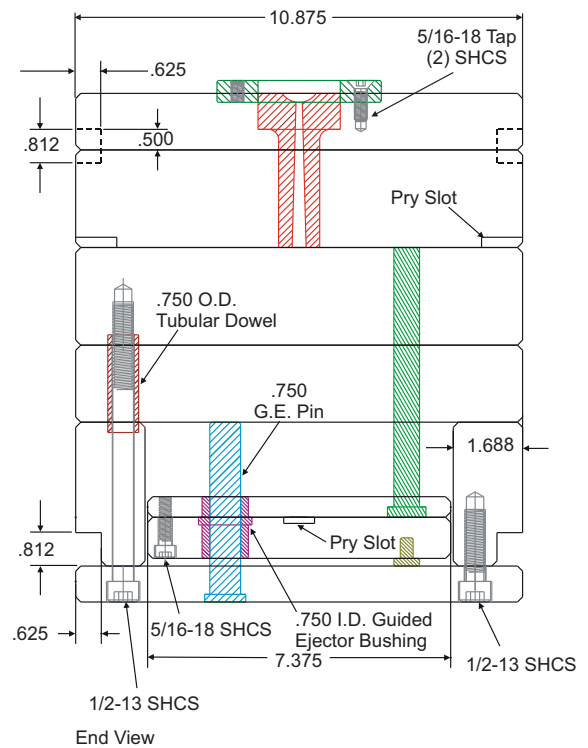
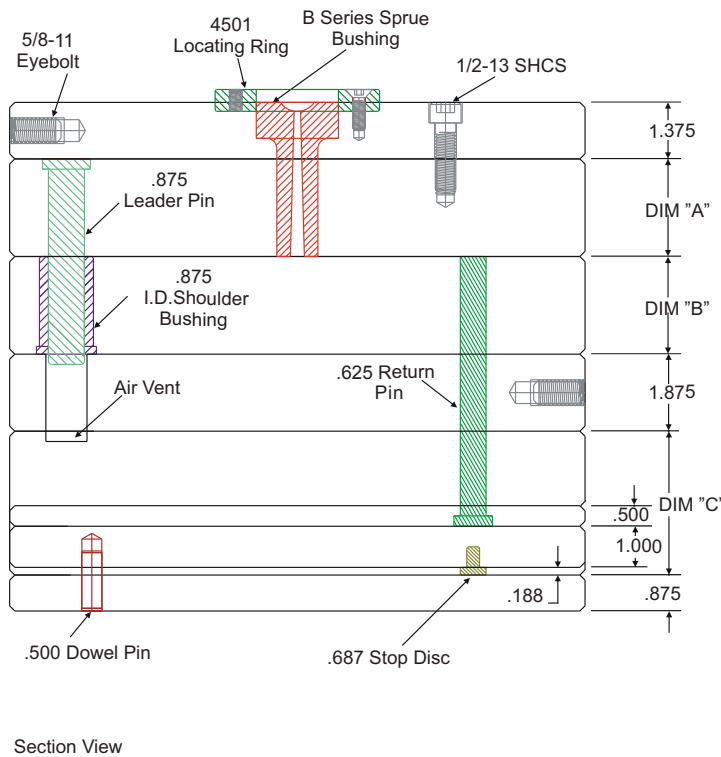
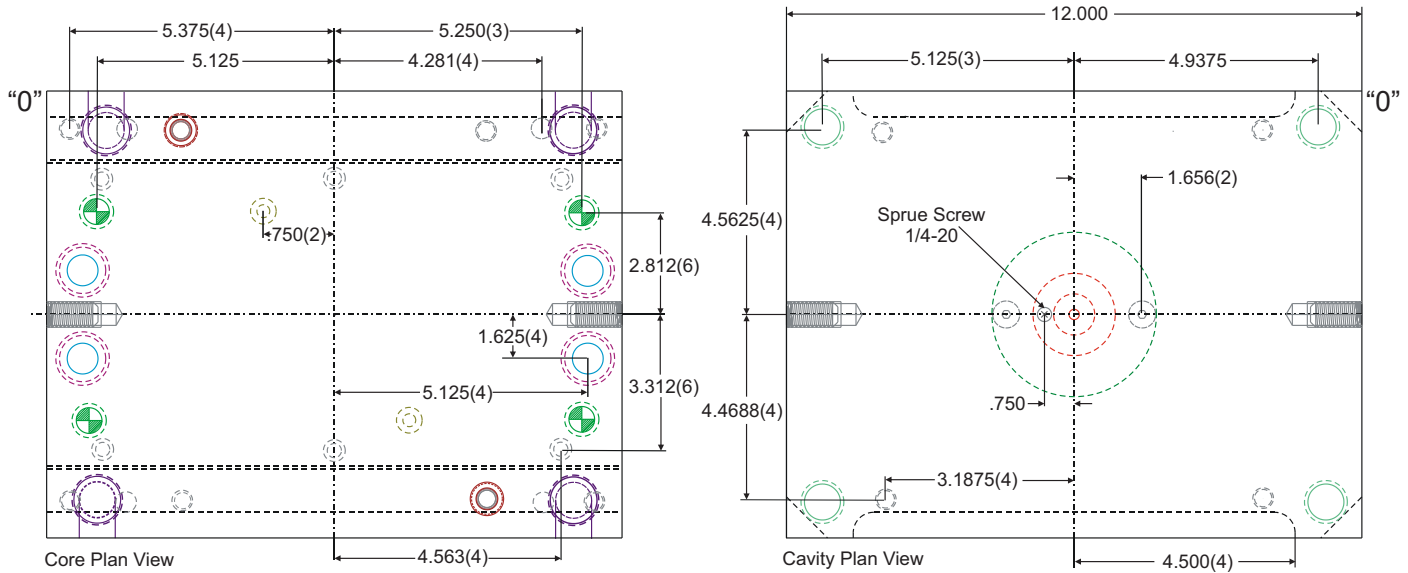
10-7/8" x 12" 1112 Mold Base

AVAILABLE PLATE THICKNESSES

	7/8	1-3/8	1-7/8	2-3/8	2-7/8	3-3/8	3-7/8	4-7/8	5-7/8
A	•	•	•	•	•	•	•	•	•
B	•	•	•	•	•	•	•	•	•

C dimensions; 2-1/2, 3, 3-1/2, 4, 4-1/2, 5, 6

B Series Sprue Bushing = 1.000
Guided Ejection can be omitted

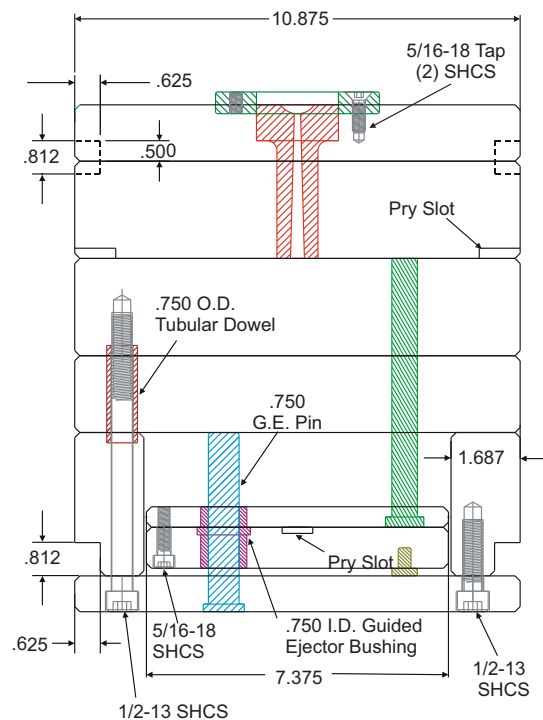
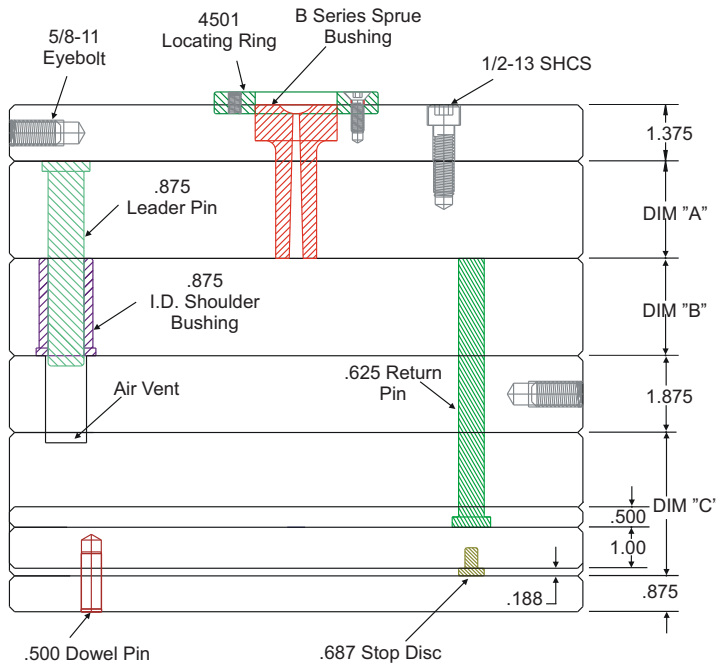
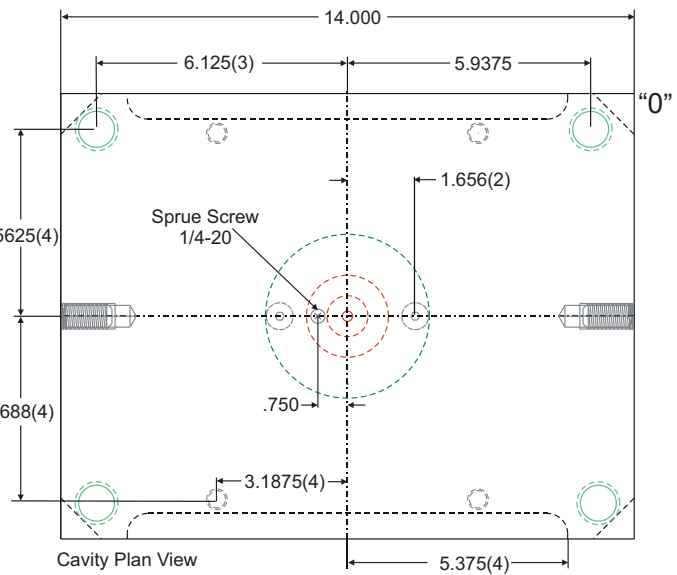
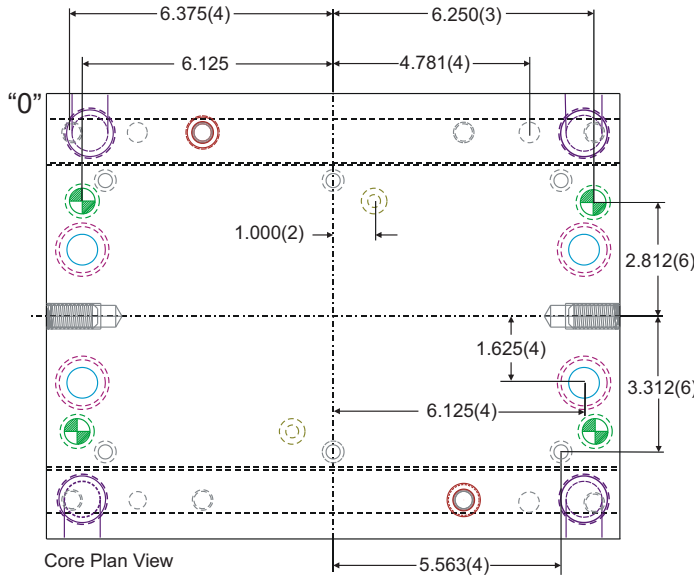


10-7/8" x 14" 1114 Mold Base

B Series Sprue Bushing = 1.000
 Guided Ejection can be omitted

AVAILABLE PLATE THICKNESSES									
	7/8	1-3/8	1-7/8	2-3/8	2-7/8	3-3/8	3-7/8	4-7/8	5-7/8
A	•	•	•	•	•	•	•	•	•
B	•	•	•	•	•	•	•	•	•

C dimensions; 2-1/2, 3, 3-1/2, 4, 4-1/2, 5, 6



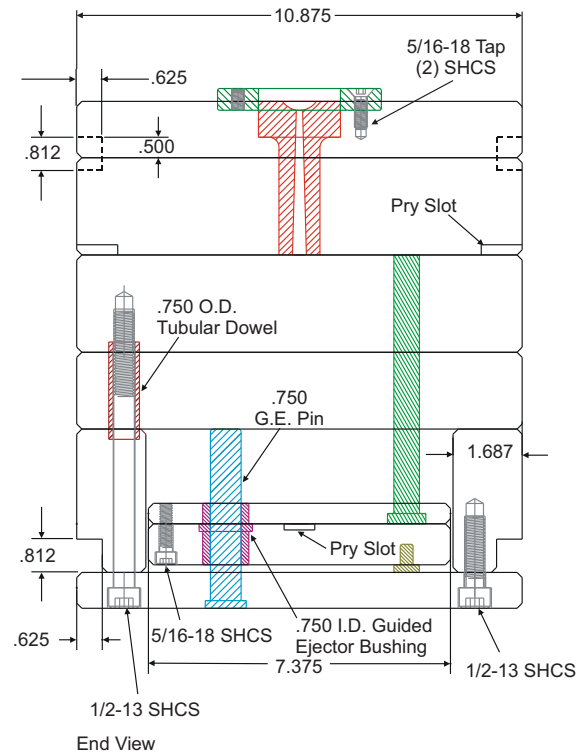
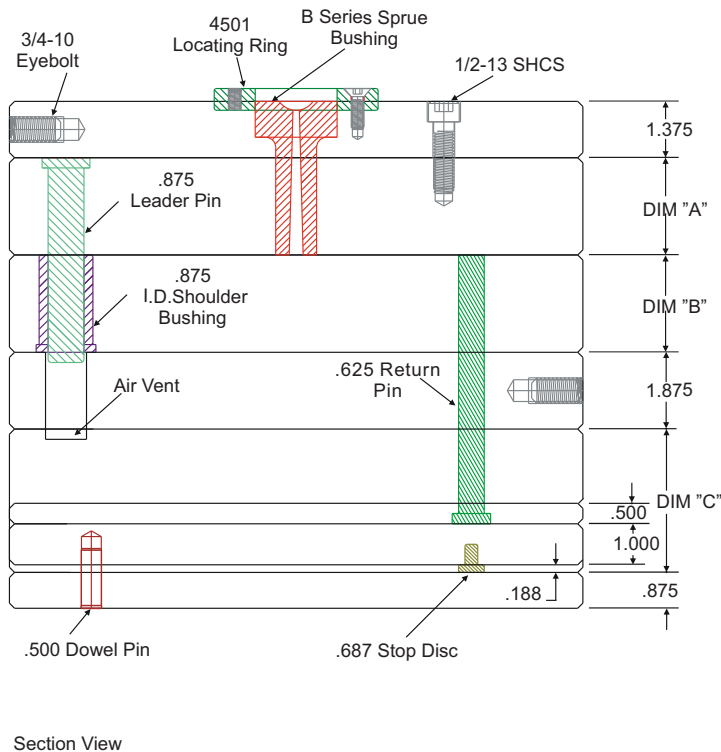
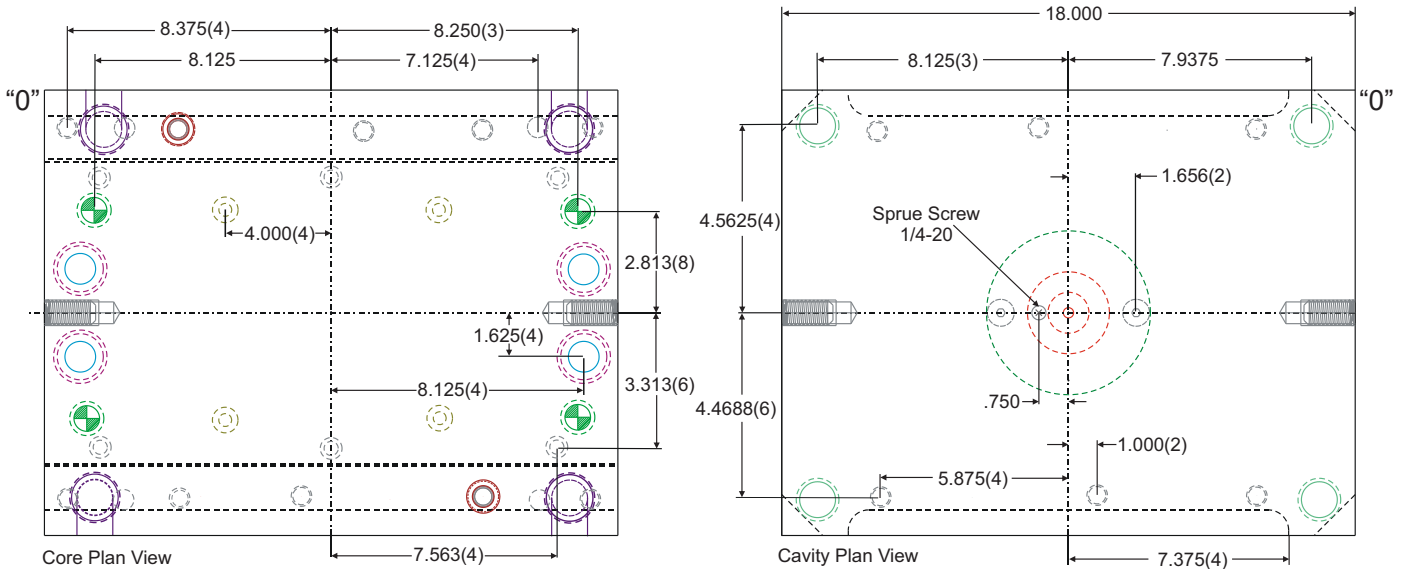
10-7/8" x 18" 1118 Mold Base

AVAILABLE PLATE THICKNESSES

	7/8	1-3/8	1-7/8	2-3/8	2-7/8	3-3/8	3-7/8	4-7/8	5-7/8
A	•	•	•	•	•	•	•	•	•
B	•	•	•	•	•	•	•	•	•

B Series Sprue Bushing = 1.000
Guided Ejection can be omitted

C dimensions; 2-1/2, 3, 3-1/2, 4, 4-1/2, 5, 6



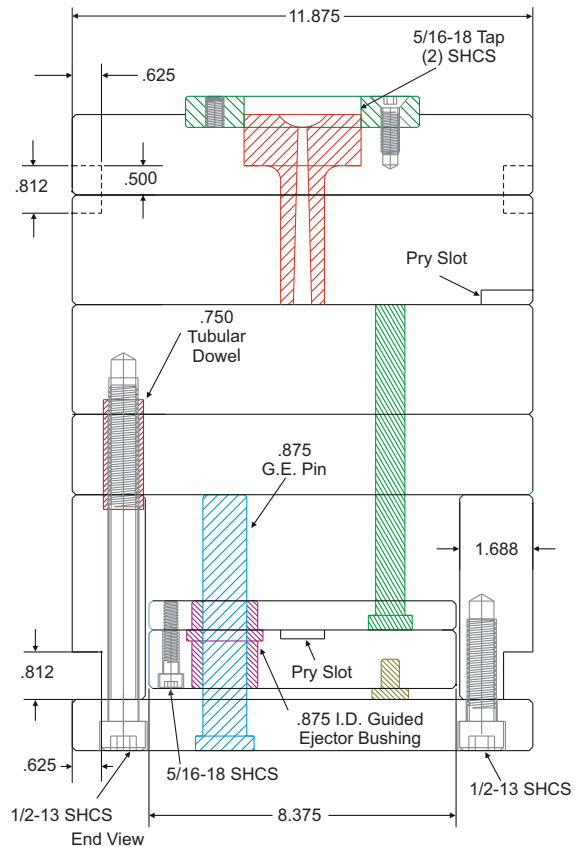
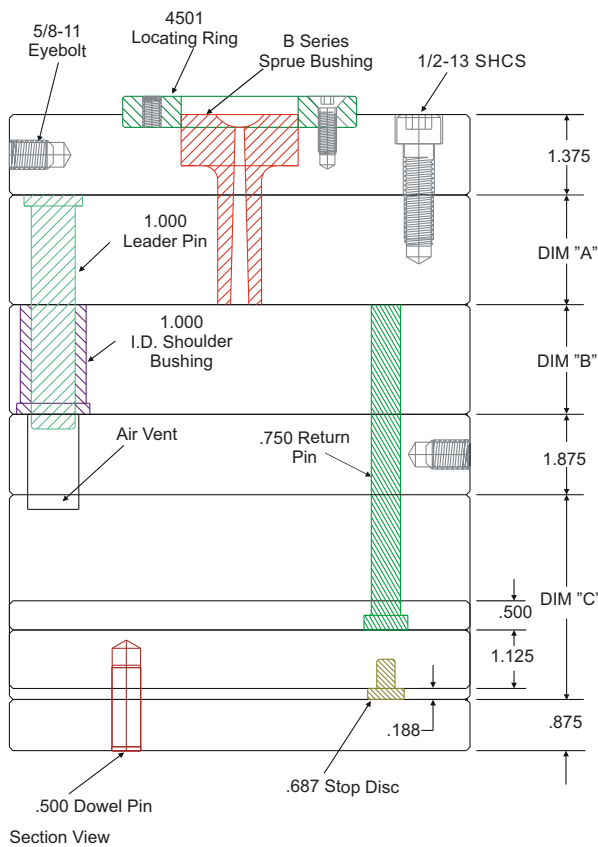
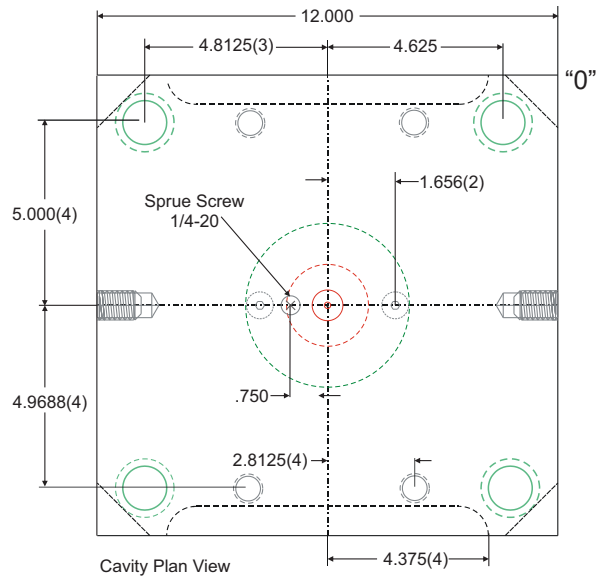
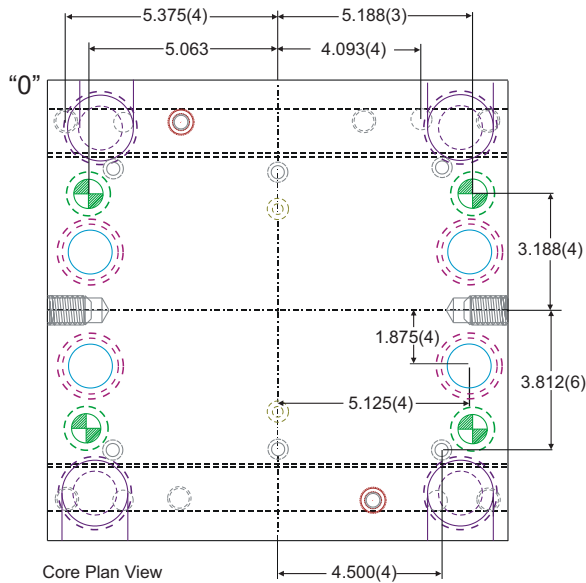
11-7/8" x 12" 1212 Mold Base

B Series Sprue Bushing = 1.000
Guided Ejection can be omitted

AVAILABLE PLATE THICKNESSES

	7/8	1-3/8	1-7/8	2-3/8	2-7/8	3-3/8	3-7/8	4-7/8	5-7/8
A	•	•	•	•	•	•	•	•	•
B	•	•	•	•	•	•	•	•	•

C dimensions; 2-1/2, 3, 3-1/2, 4, 4-1/2, 5, 6



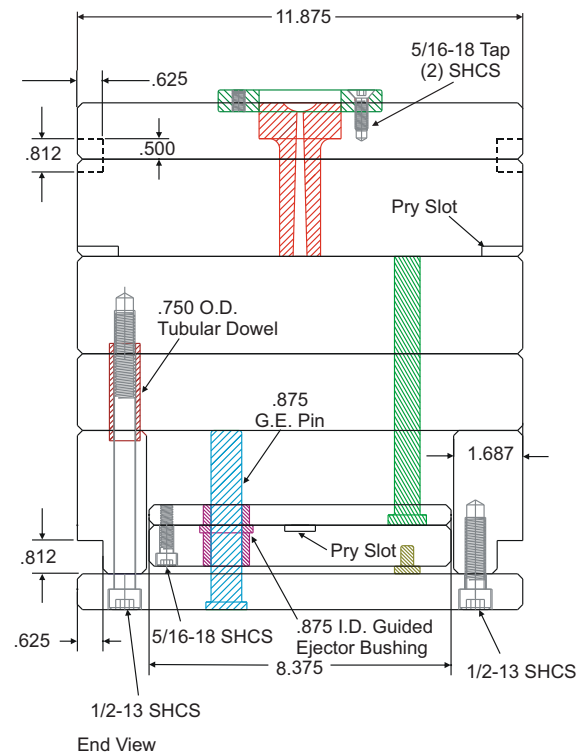
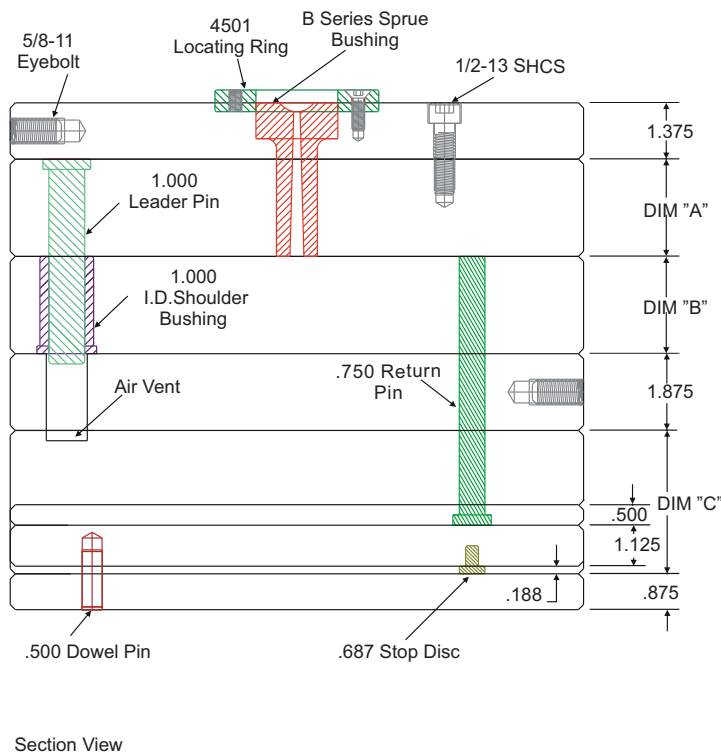
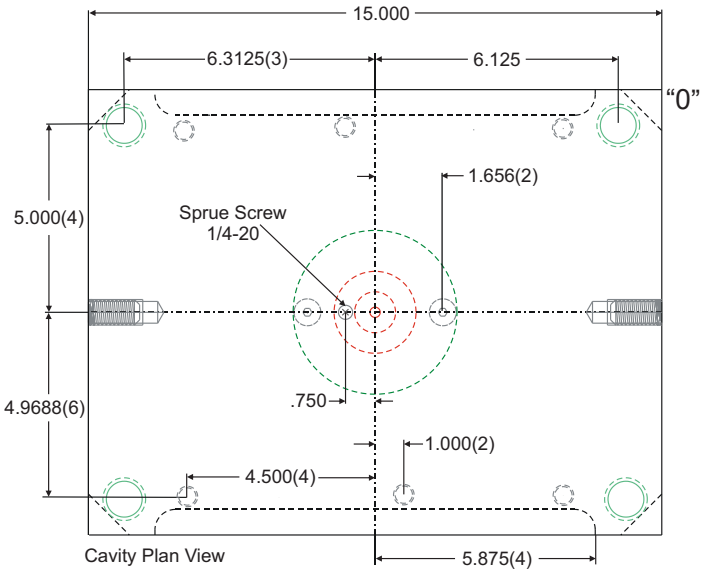
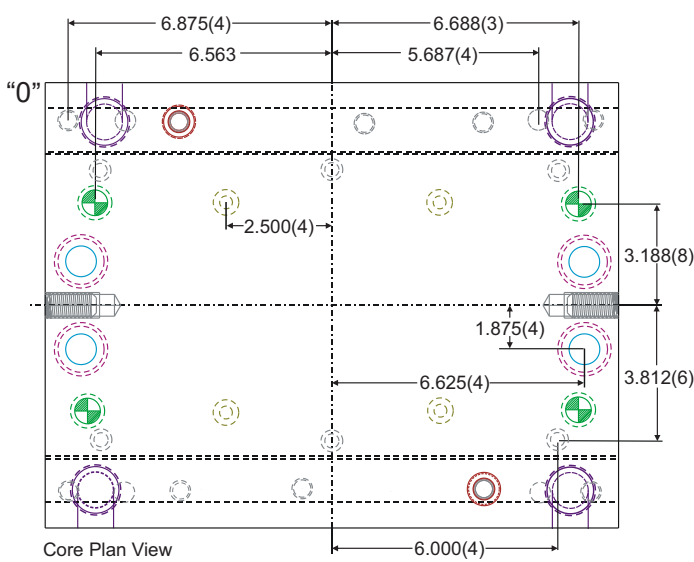
11-7/8" x 15" 1215 Mold Base

AVAILABLE PLATE THICKNESSES

	7/8	1-3/8	1-7/8	2-3/8	2-7/8	3-3/8	3-7/8	4-7/8	5-7/8
A	•	•	•	•	•	•	•	•	•
B	•	•	•	•	•	•	•	•	•

C dimensions; 2-1/2, 3, 3-1/2, 4, 4-1/2, 5, 6

B Series Sprue Bushing = 1.000
Guided Ejection can be omitted



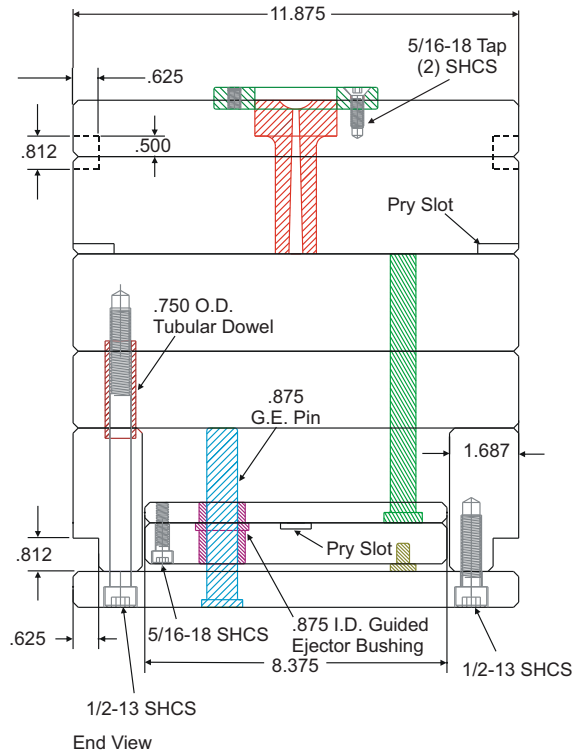
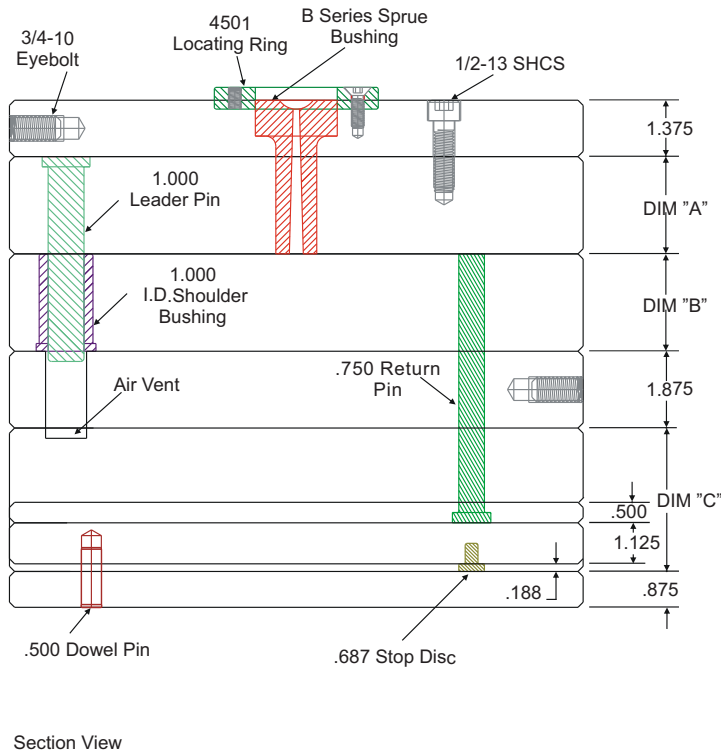
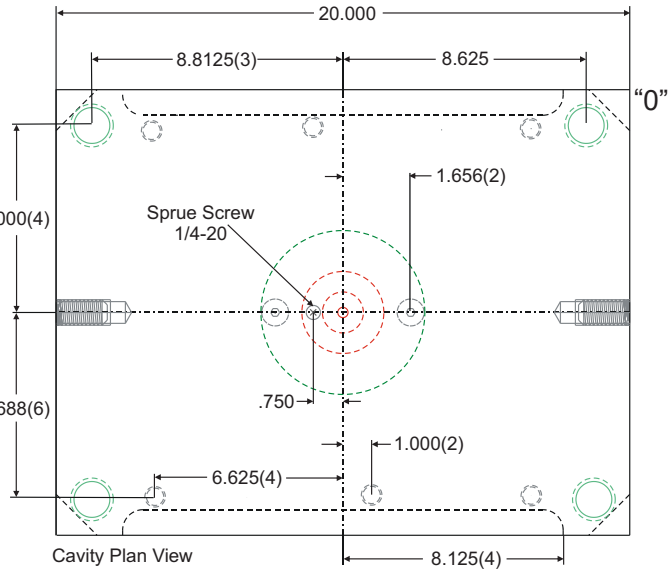
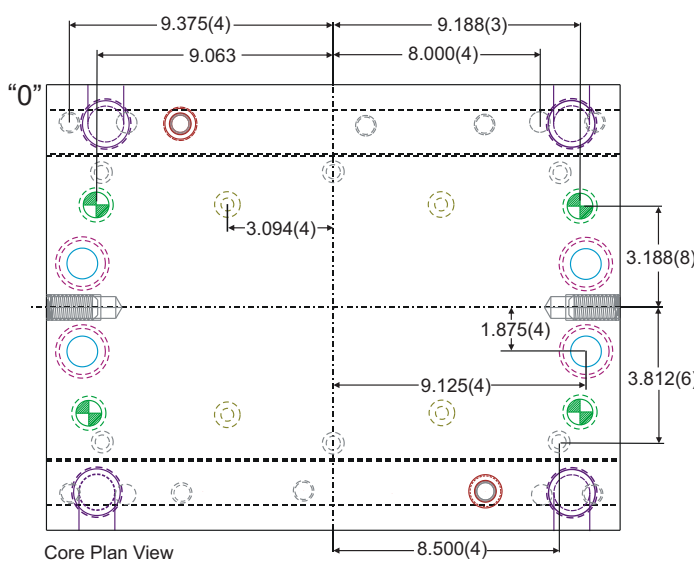
11-7/8" x 20" 1220 Mold Base

B Series Sprue Bushing = 1.000
 Guided Ejection can be omitted

AVAILABLE PLATE THICKNESSES

	7/8	1-3/8	1-7/8	2-3/8	2-7/8	3-3/8	3-7/8	4-7/8	5-7/8
A	•	•	•	•	•	•	•	•	•
B	•	•	•	•	•	•	•	•	•

C dimensions; 2-1/2, 3, 3-1/2, 4, 4-1/2, 5, 6



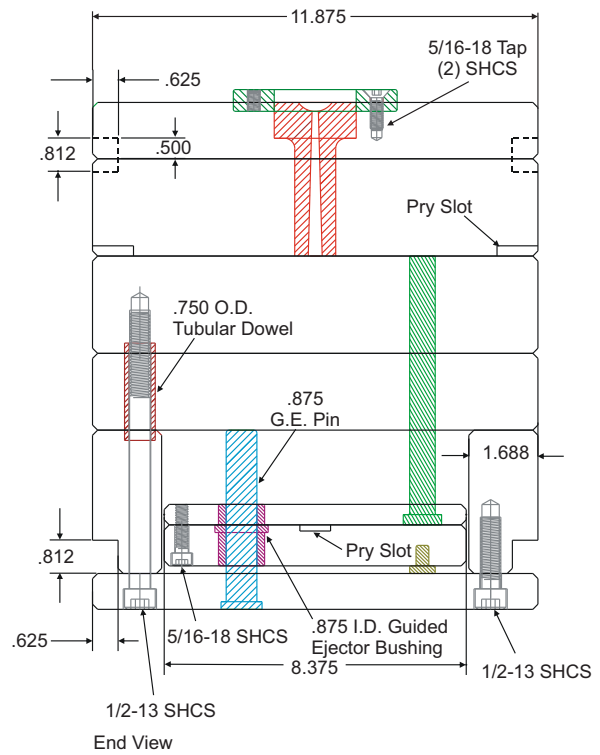
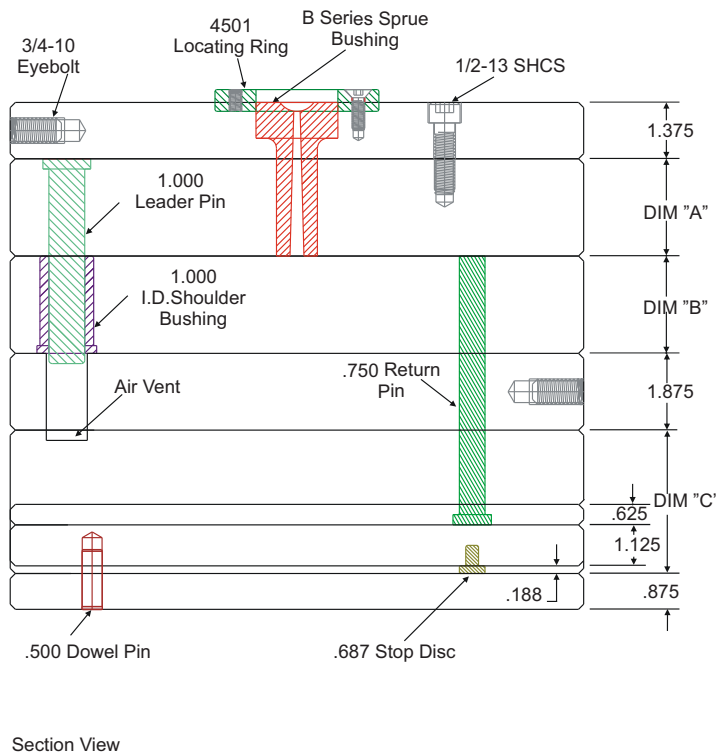
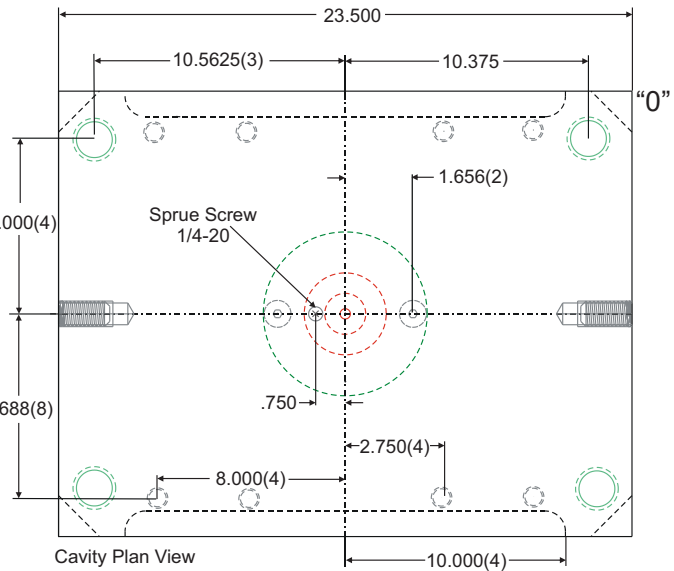
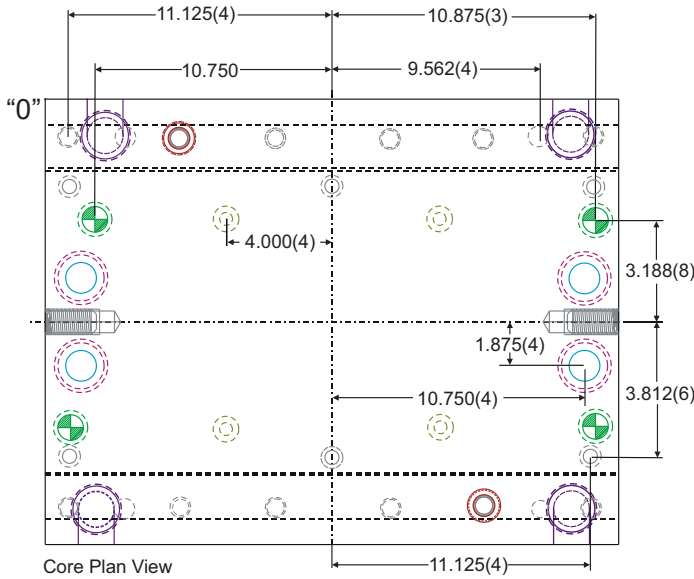
11-7/8" x 23-1/2" 1223 Mold Base

AVAILABLE PLATE THICKNESSES

	7/8	1-3/8	1-7/8	2-3/8	2-7/8	3-3/8	3-7/8	4-7/8	5-7/8
A	•	•	•	•	•	•	•	•	•
B	•	•	•	•	•	•	•	•	•

C dimensions; 2-1/2, 3, 3-1/2, 4, 4-1/2, 5, 6

B Series Sprue Bushing = 1.000
Guided Ejection can be omitted



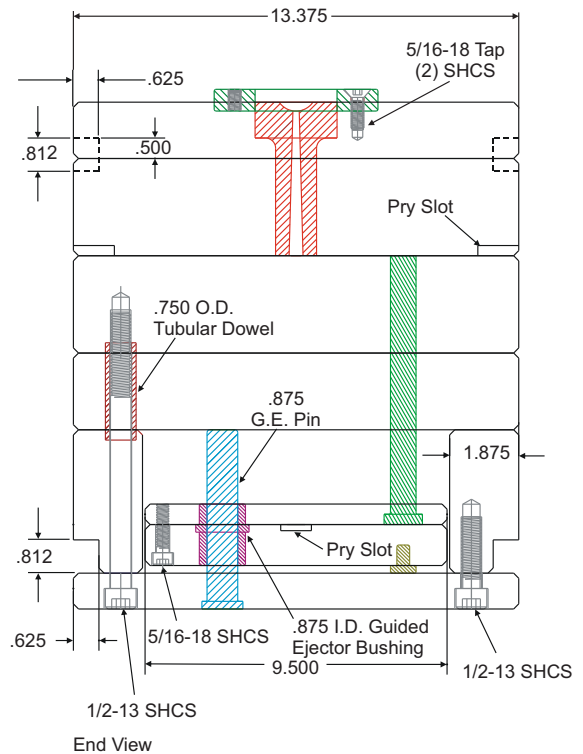
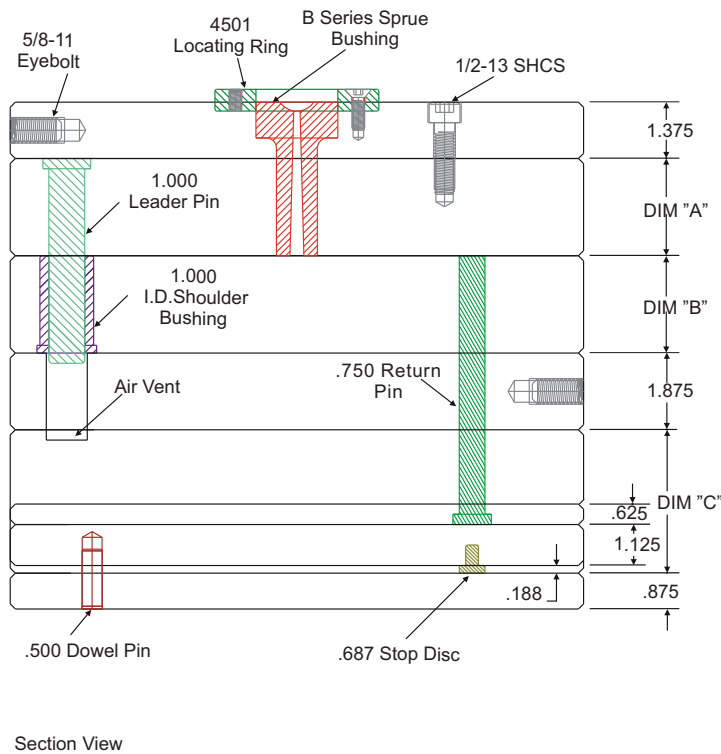
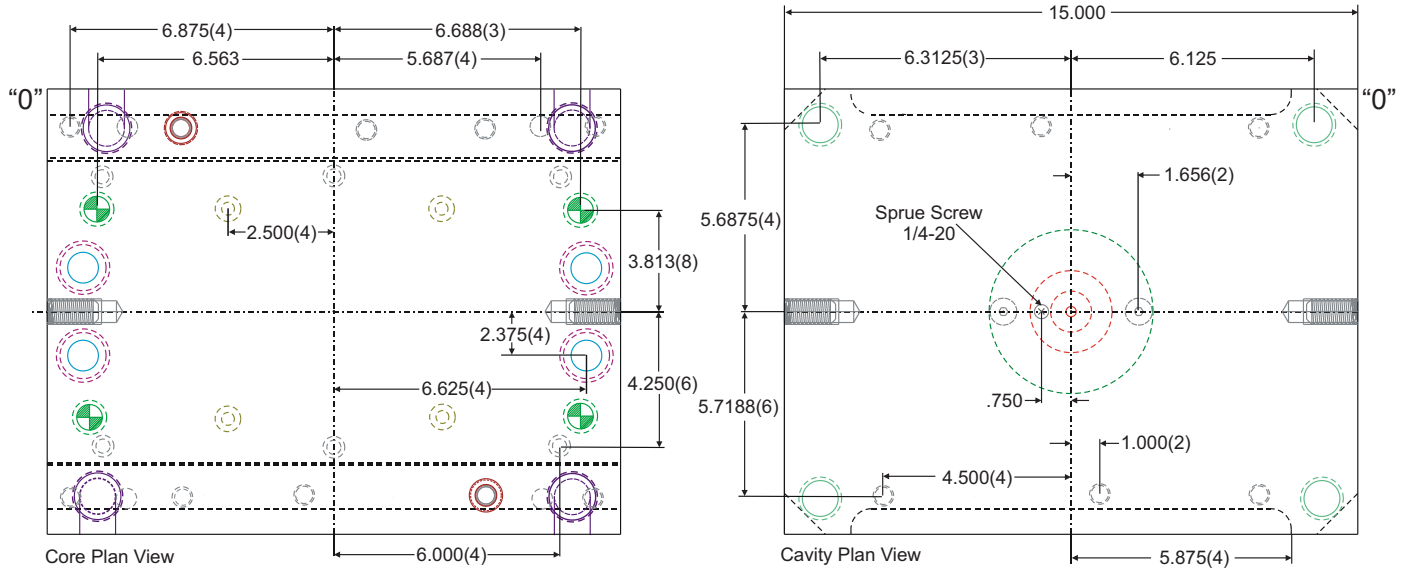
13-3/8" x 15" 1315 Mold Base

B Series Sprue Bushing = 1.000
 Guided Ejection can be omitted

AVAILABLE PLATE THICKNESSES

	7/8	1-3/8	1-7/8	2-3/8	2-7/8	3-3/8	3-7/8	4-7/8	5-7/8
A	•	•	•	•	•	•	•	•	•
B	•	•	•	•	•	•	•	•	•

C dimensions; 2-1/2, 3, 3-1/2, 4, 4-1/2, 5, 6



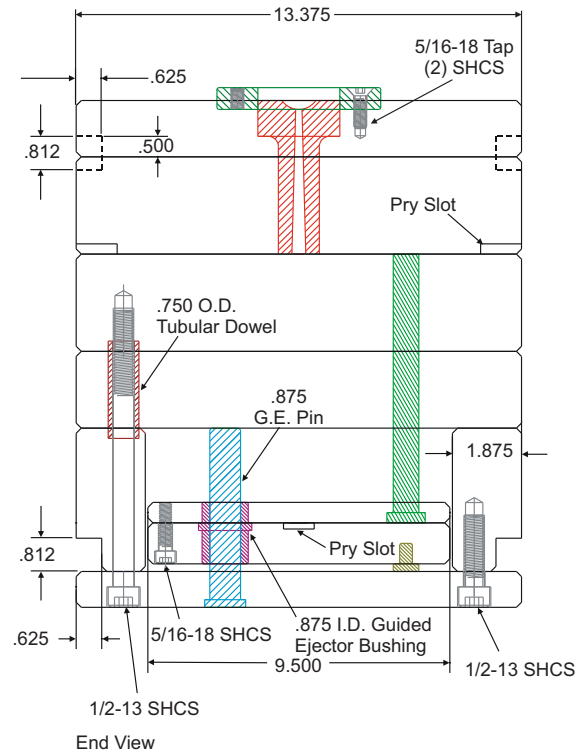
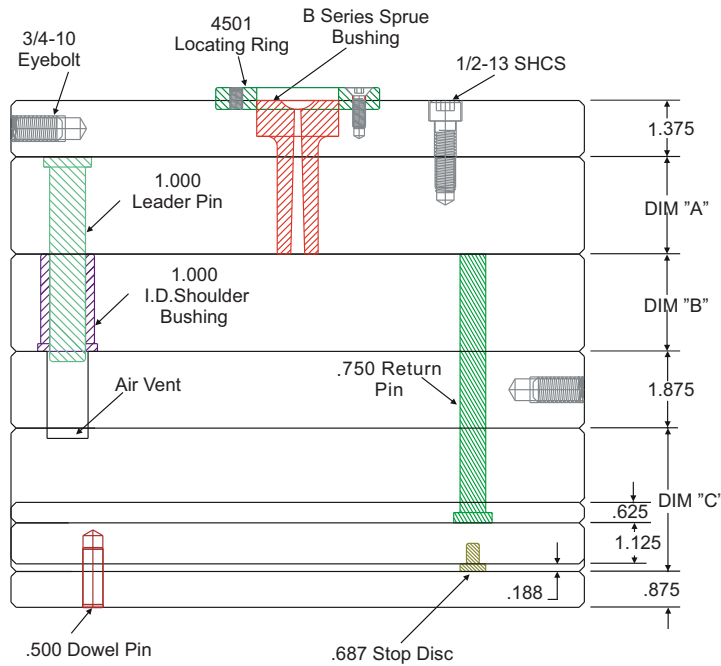
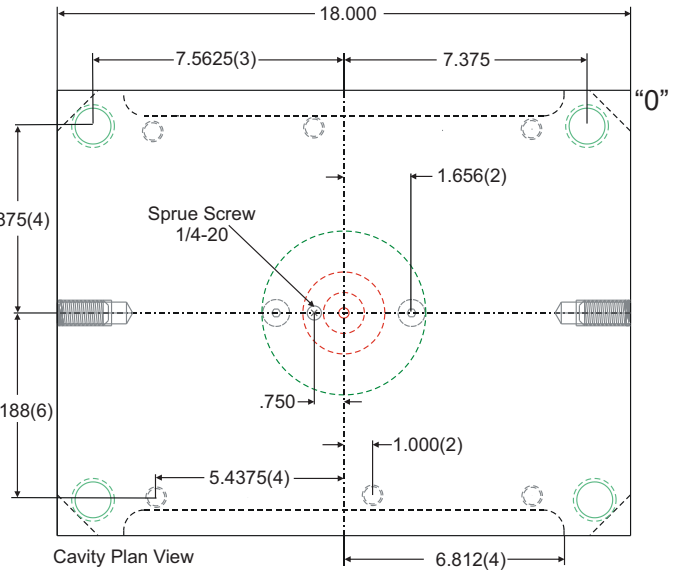
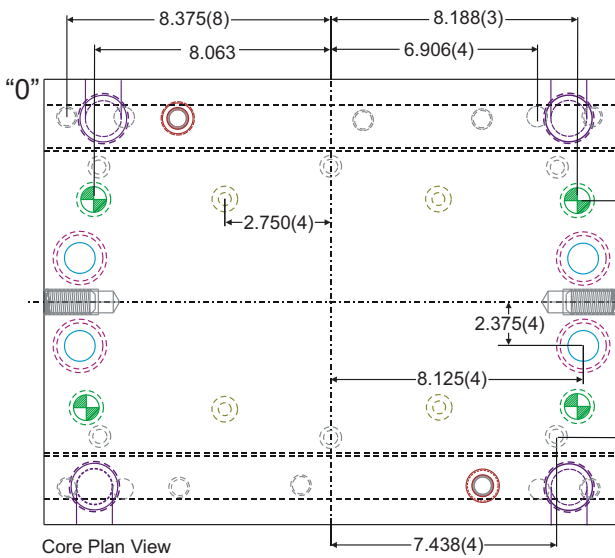
13-3/8" x 18" 1318 Mold Base

AVAILABLE PLATE THICKNESSES

	7/8	1-3/8	1-7/8	2-3/8	2-7/8	3-3/8	3-7/8	4-7/8	5-7/8
A	•	•	•	•	•	•	•	•	•
B	•	•	•	•	•	•	•	•	•

C dimensions; 2-1/2, 3, 3-1/2, 4, 4-1/2, 5, 6

B Series Sprue Bushing = 1.000
Guided Ejection can be omitted



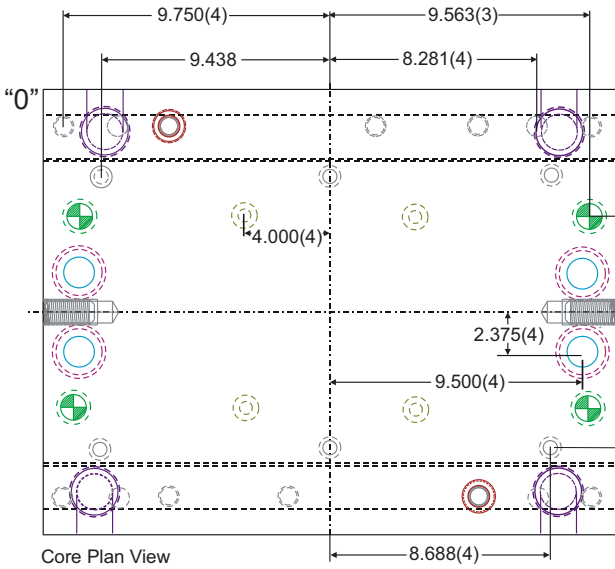
13-3/8" x 20-3/4" 1321 Mold Base

B Series Sprue Bushing = 1.000
 Guided Ejection can be omitted

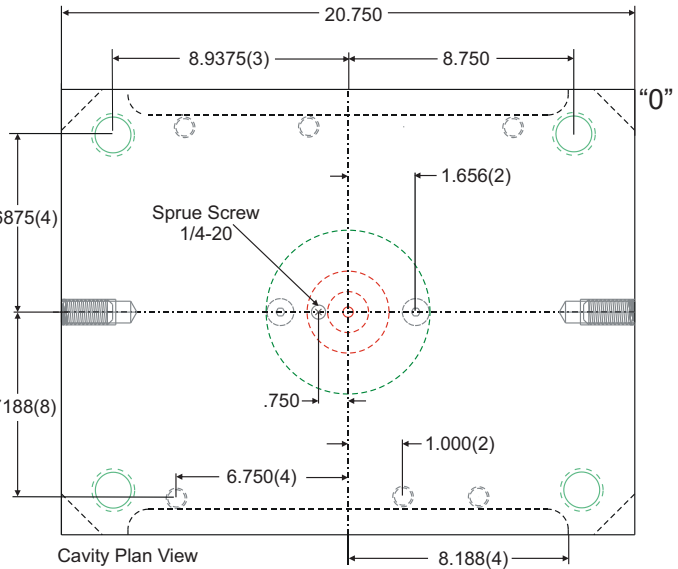
AVAILABLE PLATE THICKNESSES

	7/8	1-3/8	1-7/8	2-3/8	2-7/8	3-3/8	3-7/8	4-7/8	5-7/8
A	•	•	•	•	•	•	•	•	•
B	•	•	•	•	•	•	•	•	•

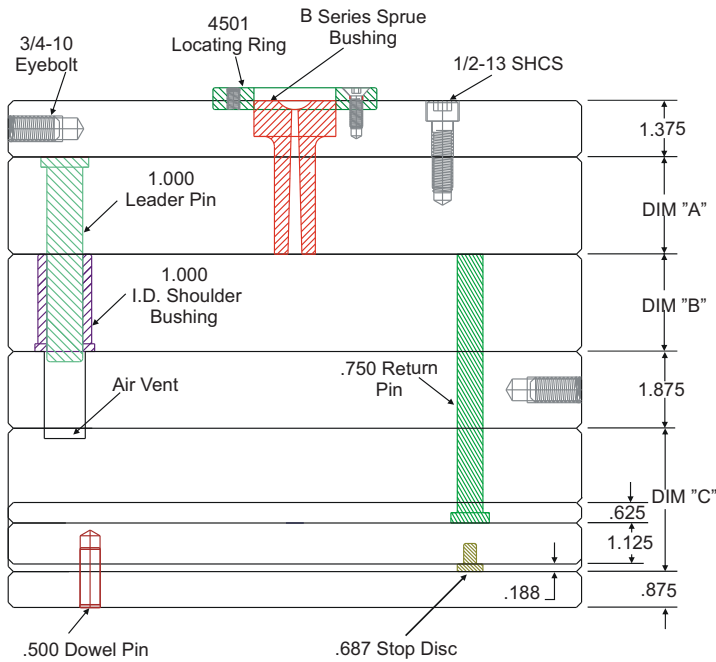
C dimensions; 2-1/2, 3, 3-1/2, 4, 4-1/2, 5, 6



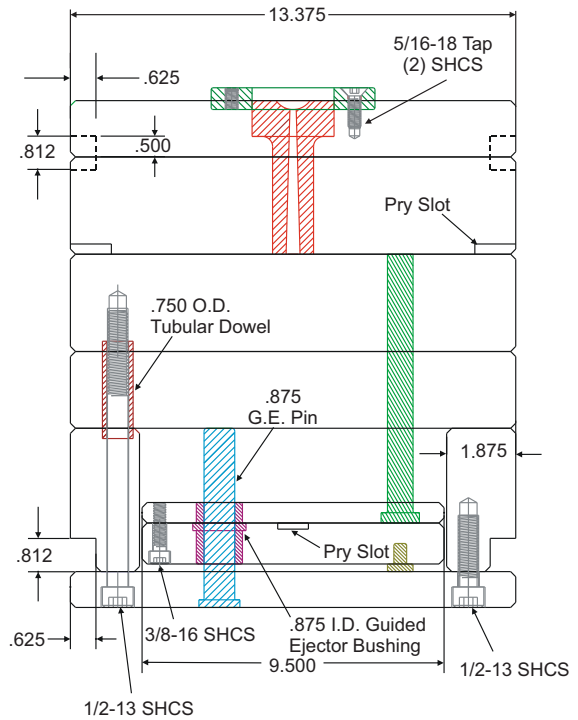
Core Plan View



Cavity Plan View



Section View



End View

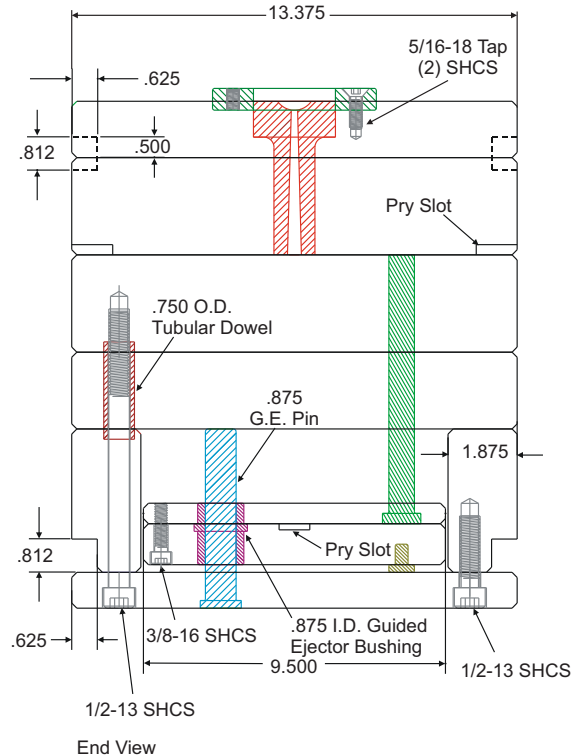
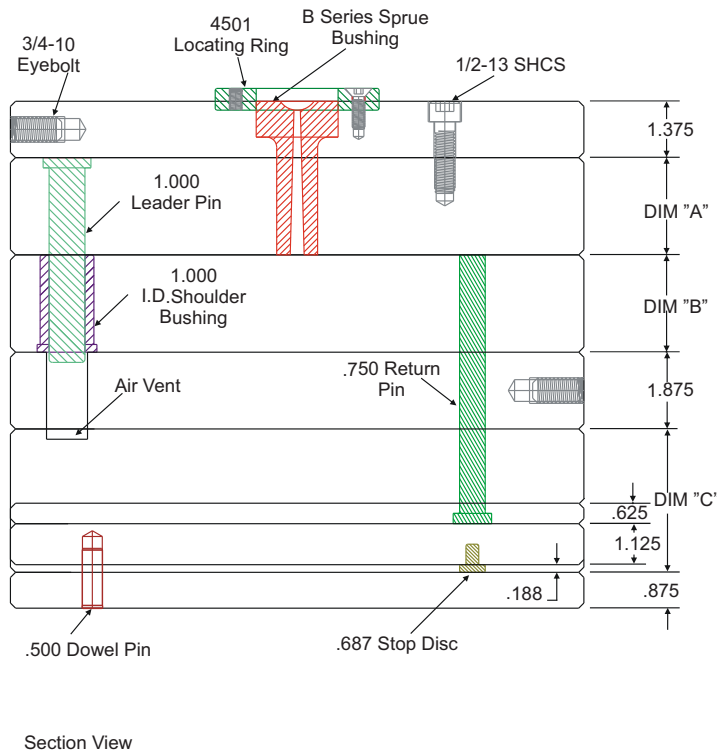
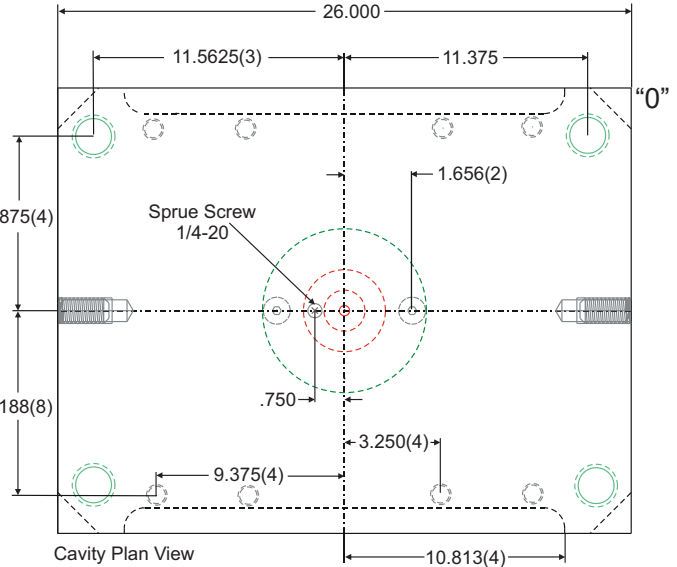
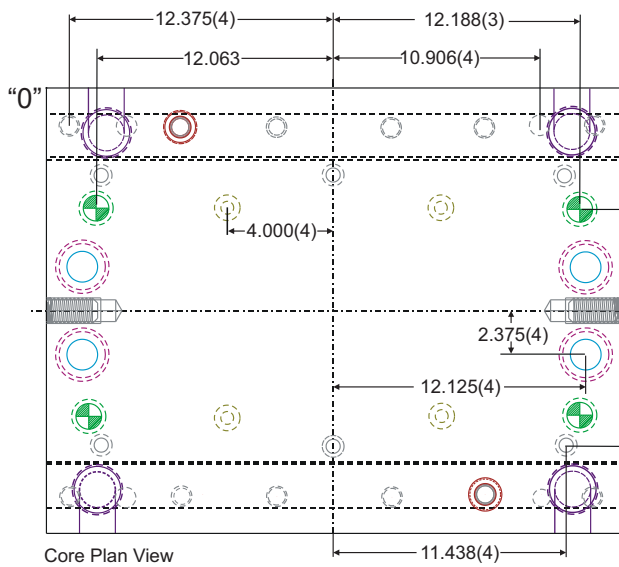
13-3/8" x 26" 1326 Mold Base

AVAILABLE PLATE THICKNESSES

	7/8	1-3/8	1-7/8	2-3/8	2-7/8	3-3/8	3-7/8	4-7/8	5-7/8
A	•	•	•	•	•	•	•	•	•
B	•	•	•	•	•	•	•	•	•

B Series Sprue Bushing = 1.000
Guided Ejection can be omitted

C dimensions; 2-1/2, 3, 3-1/2, 4, 4-1/2, 5, 6



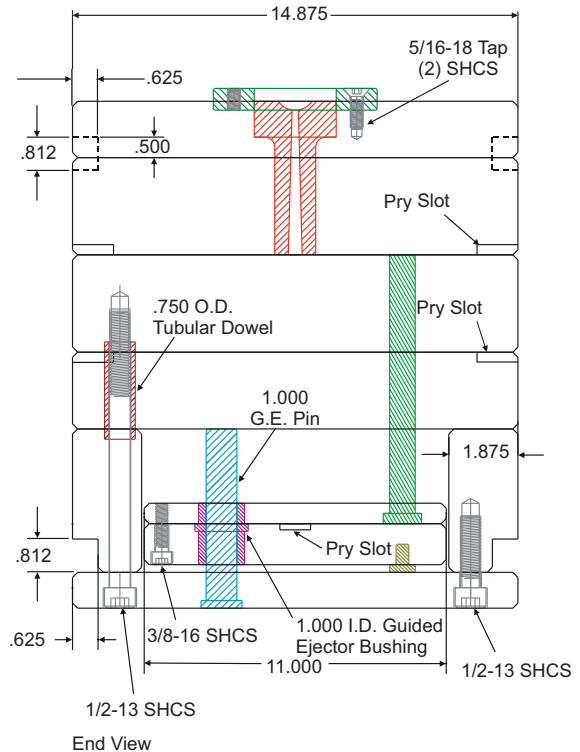
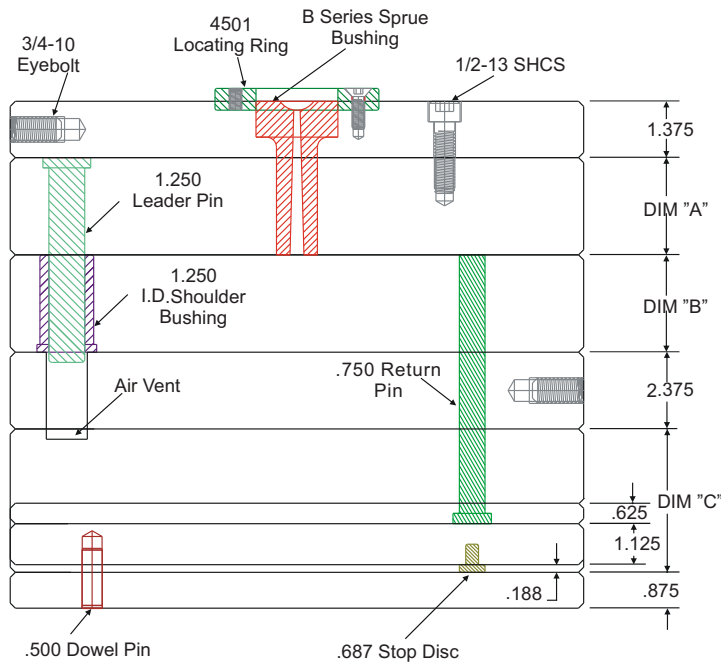
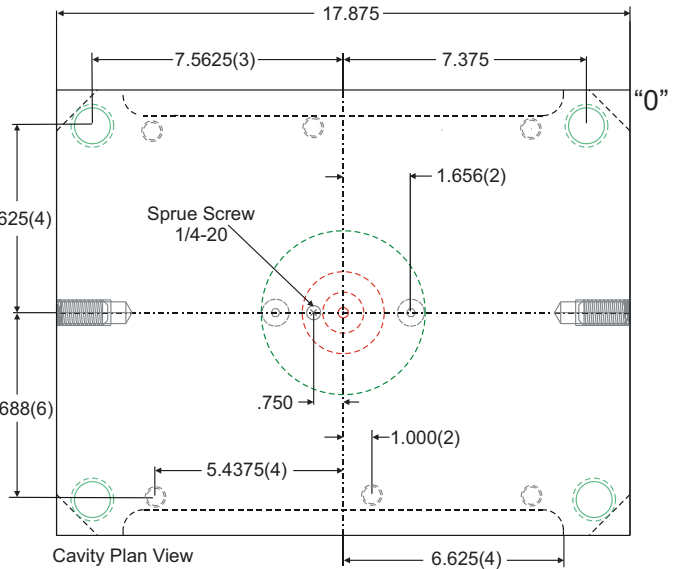
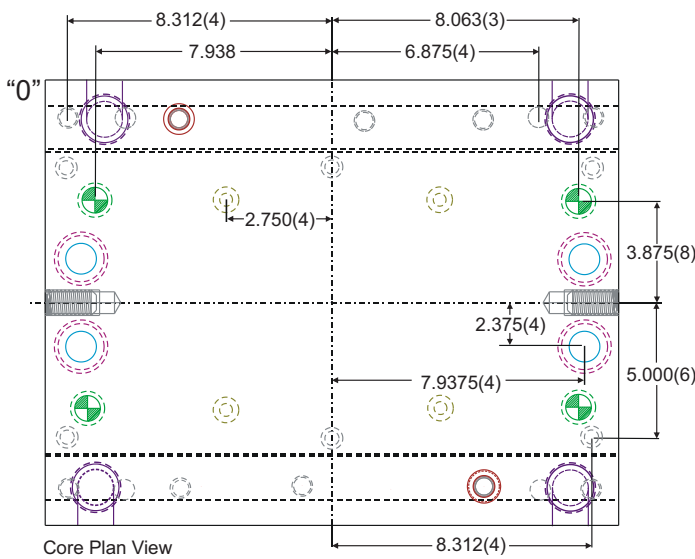
14-7/8" x 17-7/8" 1518 Mold Base

B Series Sprue Bushing = 1.000
Guided Ejection can be omitted

AVAILABLE PLATE THICKNESSES

	7/8	1-3/8	1-7/8	2-3/8	2-7/8	3-3/8	3-7/8	4-7/8	5-7/8
A	•	•	•	•	•	•	•	•	•
B	•	•	•	•	•	•	•	•	•

C dimensions; 2-1/2, 3, 3-1/2, 4, 4-1/2, 5, 6



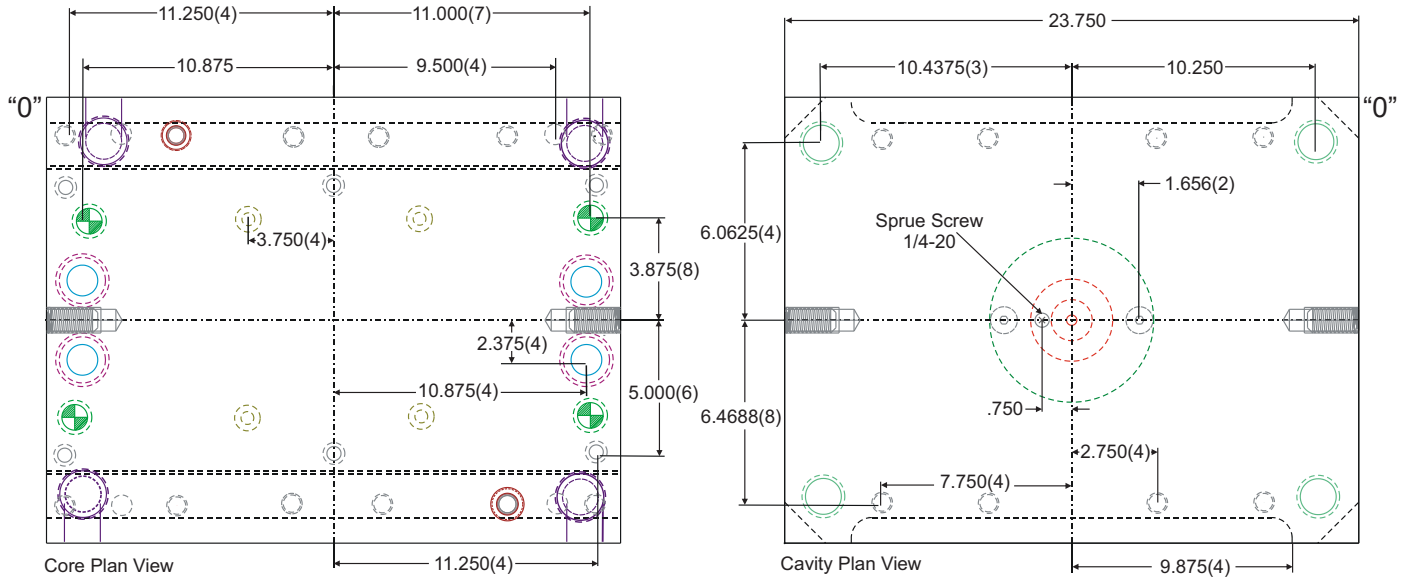
14-7/8" x 23-3/4" 1524 Mold Base

AVAILABLE PLATE THICKNESSES

	7/8	1-3/8	1-7/8	2-3/8	2-7/8	3-3/8	3-7/8	4-7/8	5-7/8
A	•	•	•	•	•	•	•	•	•
B	•	•	•	•	•	•	•	•	•

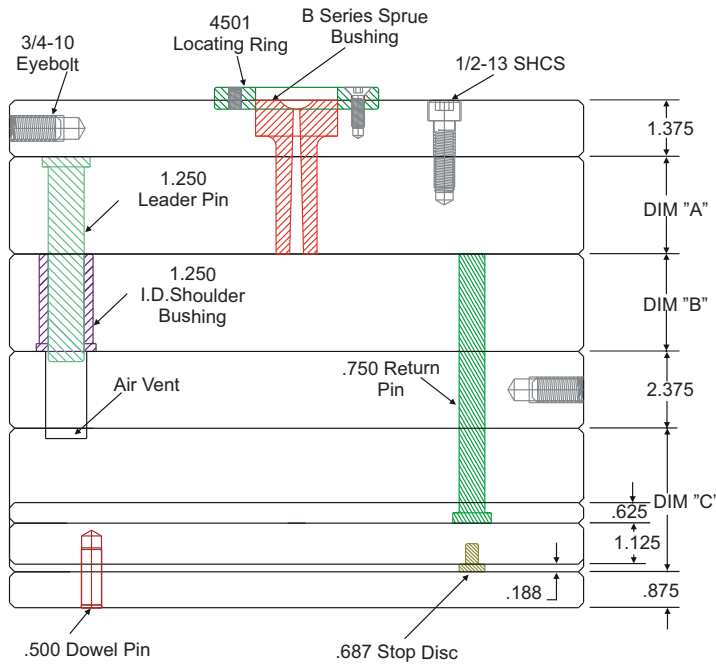
C dimensions; 2-1/2, 3, 3-1/2, 4, 4-1/2, 5, 6

B Series Sprue Bushing = 1.000
Guided Ejection can be omitted

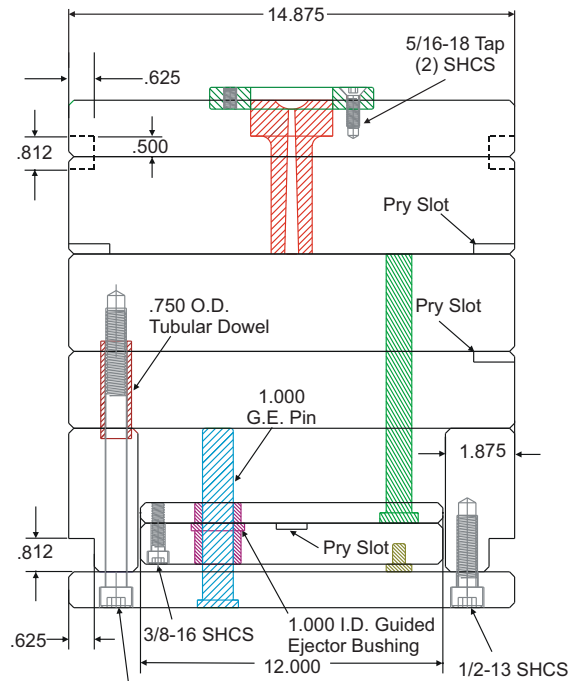


Core Plan View

Cavity Plan View



Section View



End View

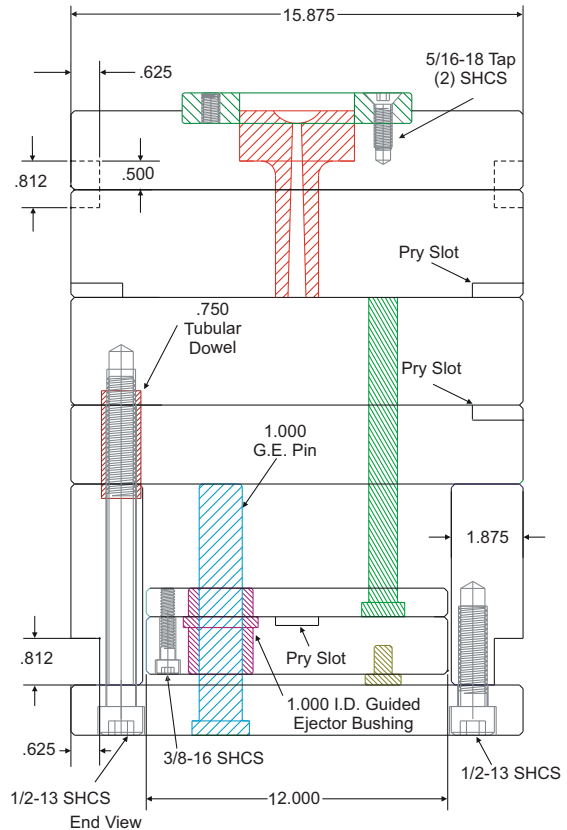
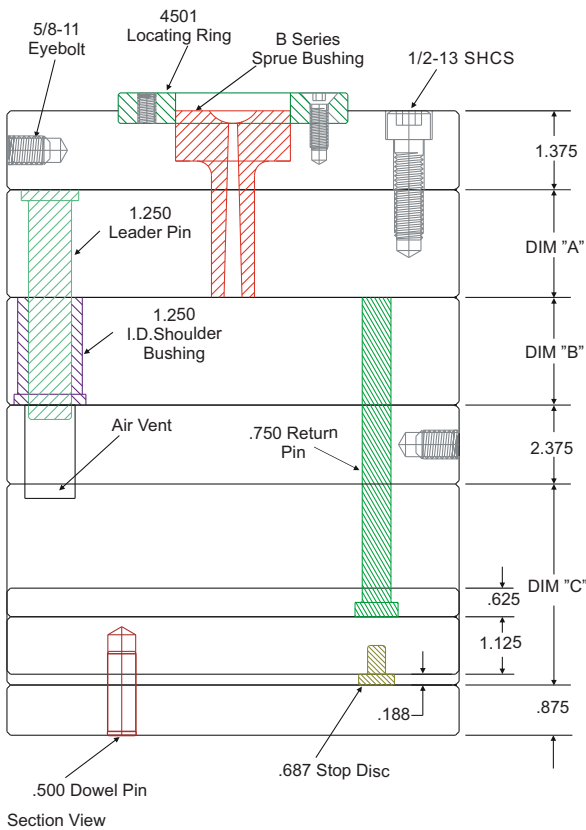
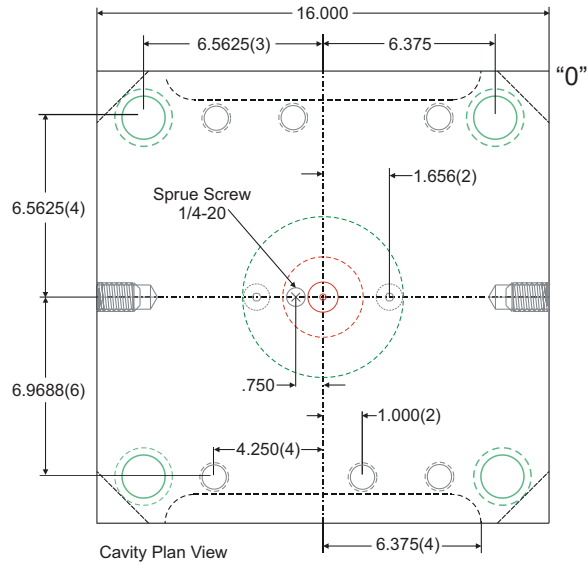
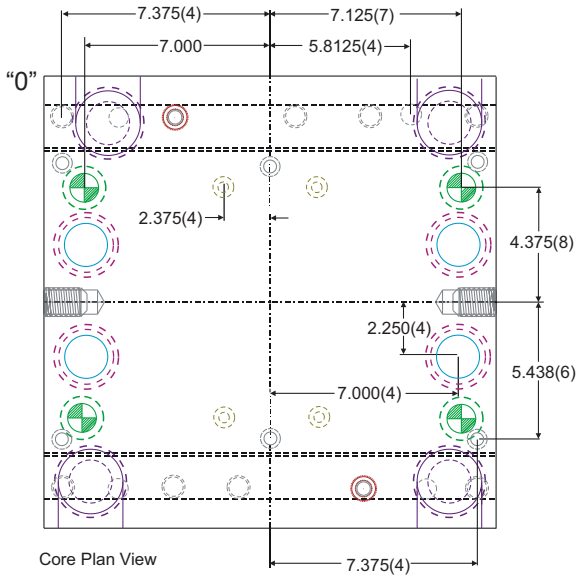
15-7/8" x 16" 1616 Mold Base

B Series Sprue Bushing = 1.000
Guided Ejection can be omitted

AVAILABLE PLATE THICKNESSES

	7/8	1-3/8	1-7/8	2-3/8	2-7/8	3-3/8	3-7/8	4-7/8	5-7/8
A	•	•	•	•	•	•	•	•	•
B	•	•	•	•	•	•	•	•	•

C dimensions; 2-1/2, 3, 3-1/2, 4, 4-1/2, 5, 6



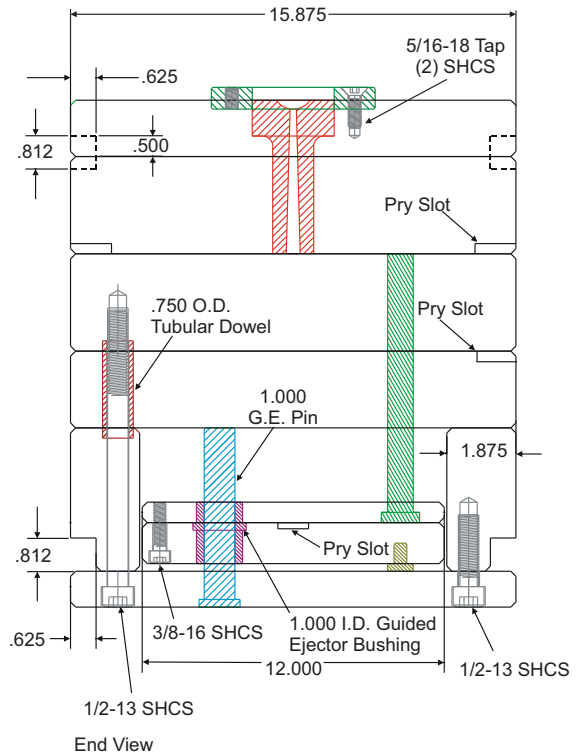
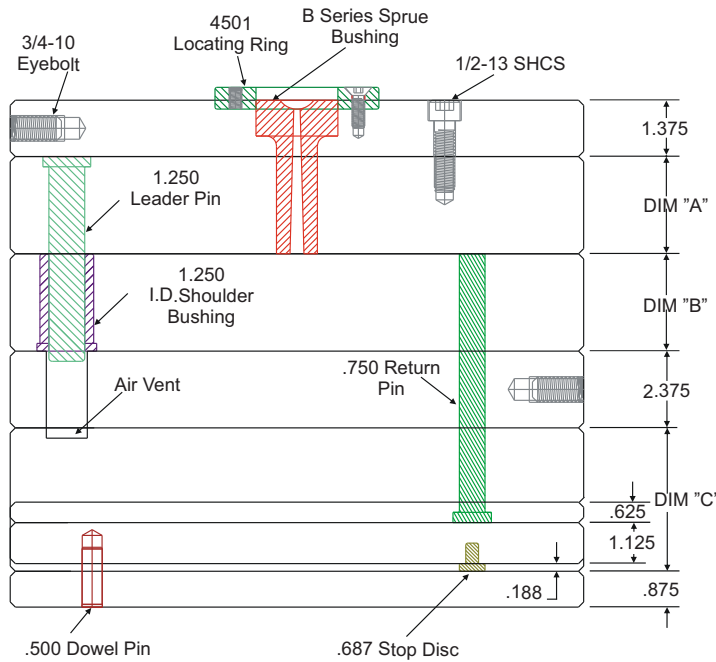
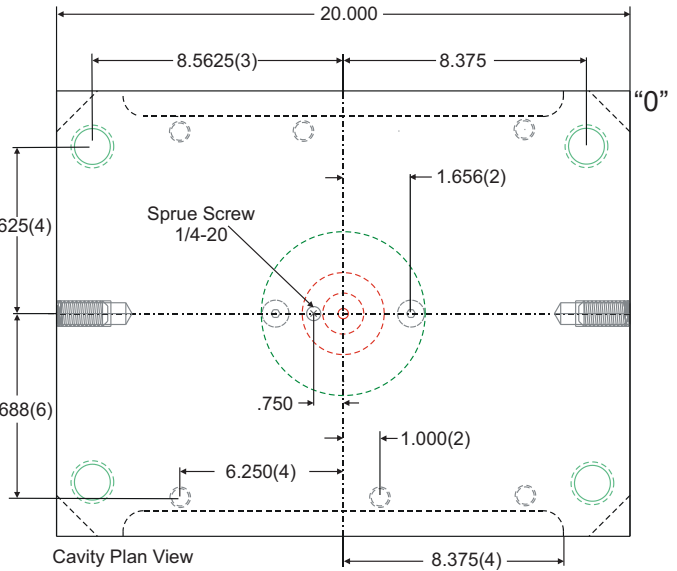
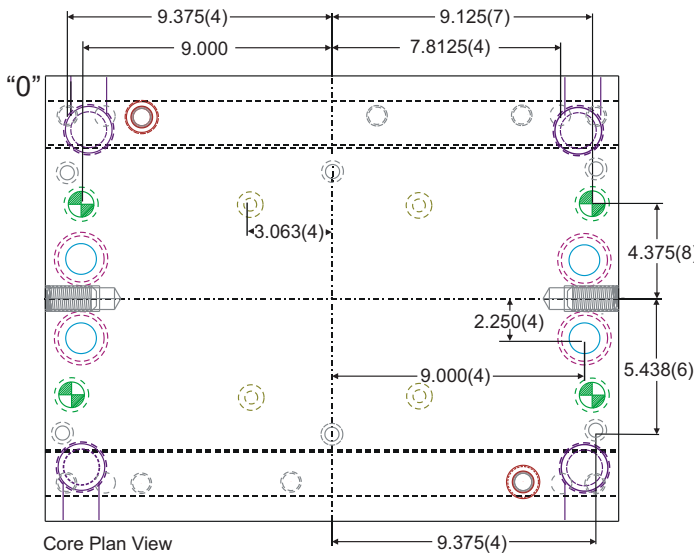
15-7/8" x 20" 1620 Mold Base

AVAILABLE PLATE THICKNESSES

	7/8	1-3/8	1-7/8	2-3/8	2-7/8	3-3/8	3-7/8	4-7/8	5-7/8
A	•	•	•	•	•	•	•	•	•
B	•	•	•	•	•	•	•	•	•

B Series Sprue Bushing = 1.000
Guided Ejection can be omitted

C dimensions; 2-1/2, 3, 3-1/2, 4, 4-1/2, 5, 6



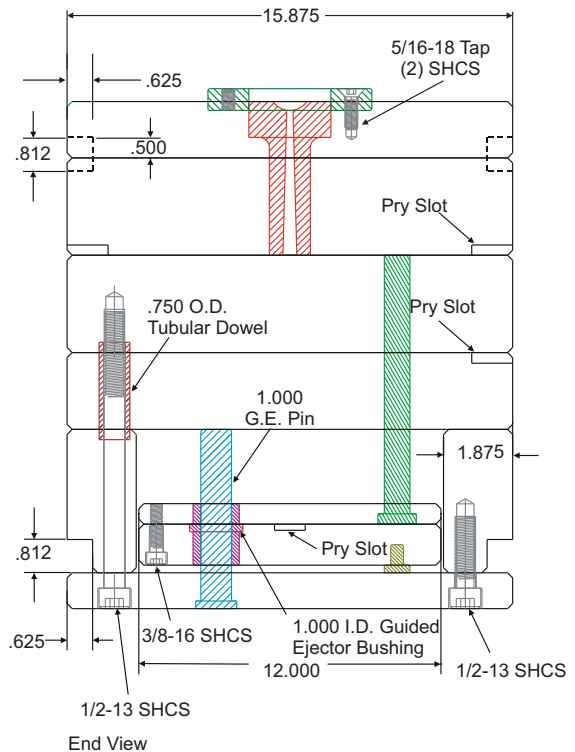
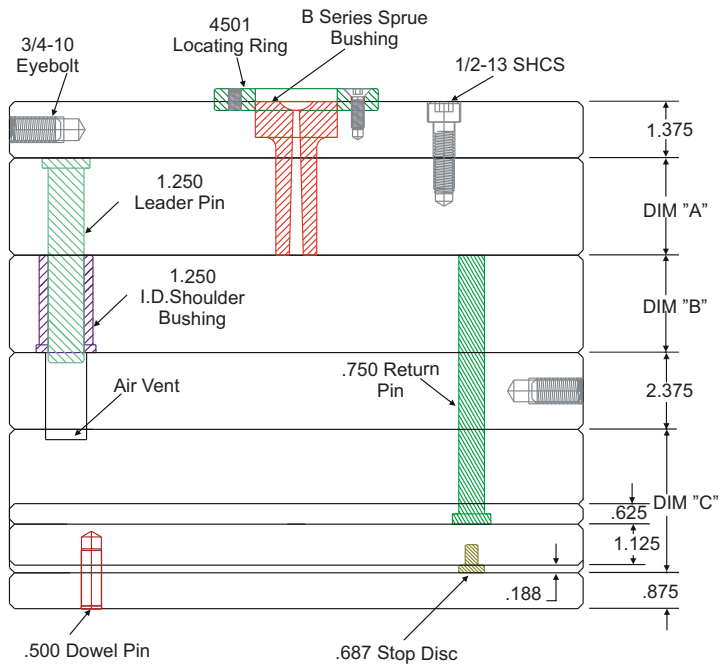
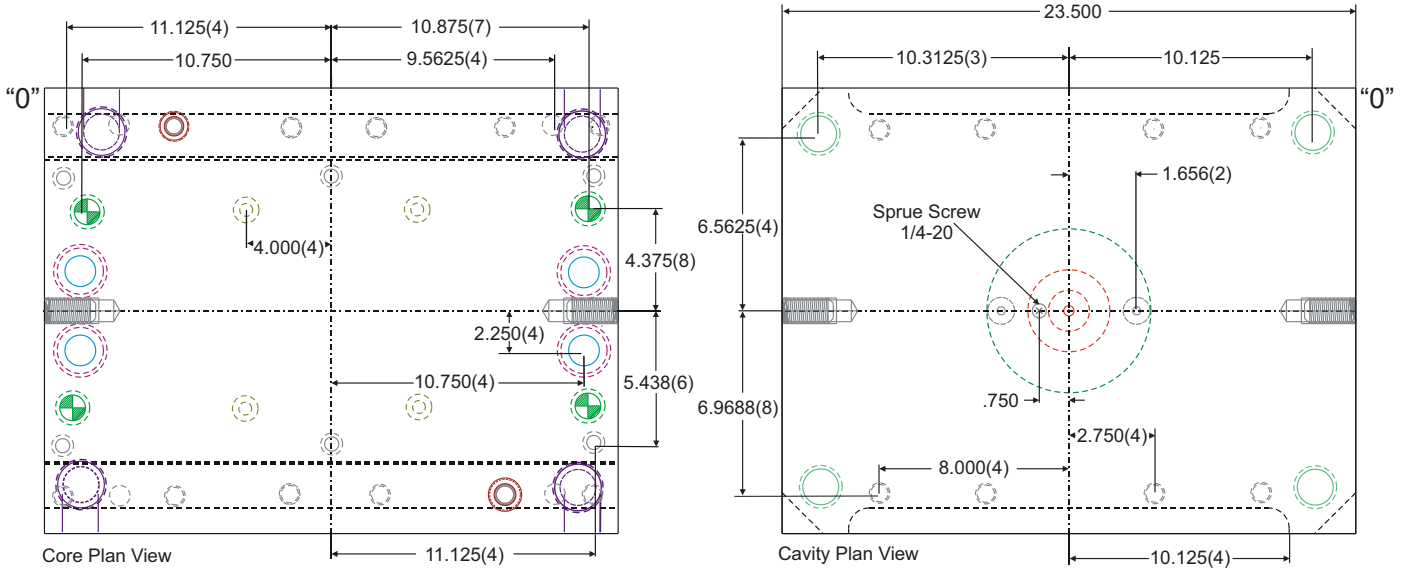
15-7/8" x 23-1/2" 1623 Mold Base

B Series Sprue Bushing = 1.000
 Guided Ejection can be omitted

AVAILABLE PLATE THICKNESSES

	7/8	1-3/8	1-7/8	2-3/8	2-7/8	3-3/8	3-7/8	4-7/8	5-7/8
A	•	•	•	•	•	•	•	•	•
B	•	•	•	•	•	•	•	•	•

C dimensions; 2-1/2, 3, 3-1/2, 4, 4-1/2, 5, 6



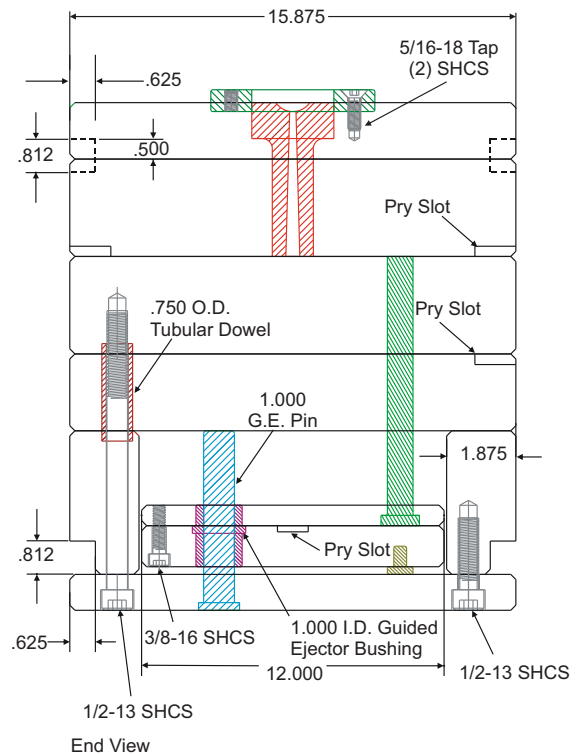
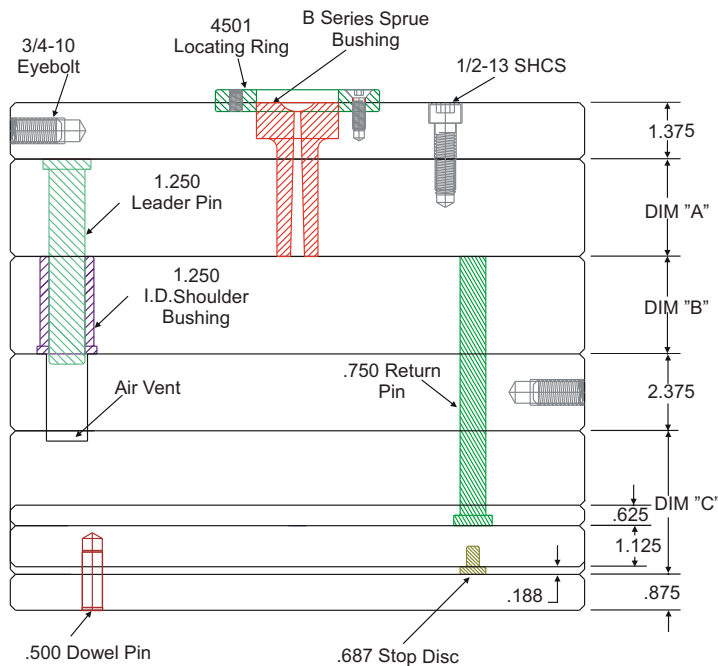
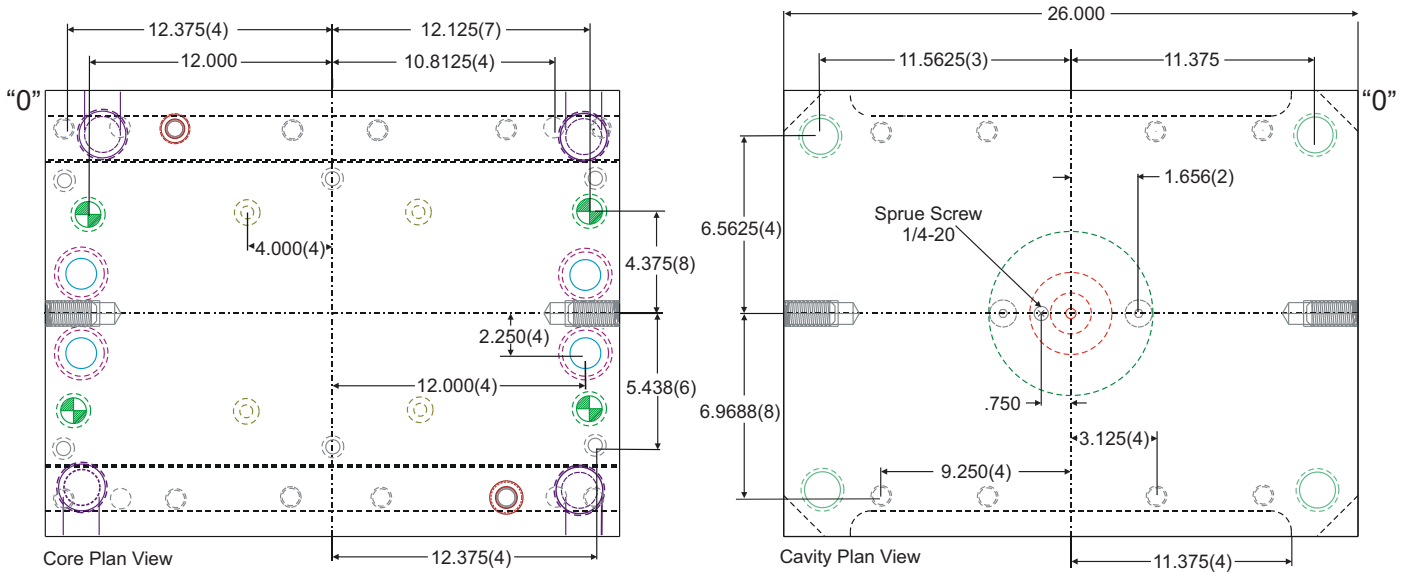
15-7/8" x 26" 1626 Mold Base

AVAILABLE PLATE THICKNESSES

	7/8	1-3/8	1-7/8	2-3/8	2-7/8	3-3/8	3-7/8	4-7/8	5-7/8
A	•	•	•	•	•	•	•	•	•
B	•	•	•	•	•	•	•	•	•

B Series Sprue Bushing = 1.000
Guided Ejection can be omitted

C dimensions; 2-1/2, 3, 3-1/2, 4, 4-1/2, 5, 6



Section View

End View

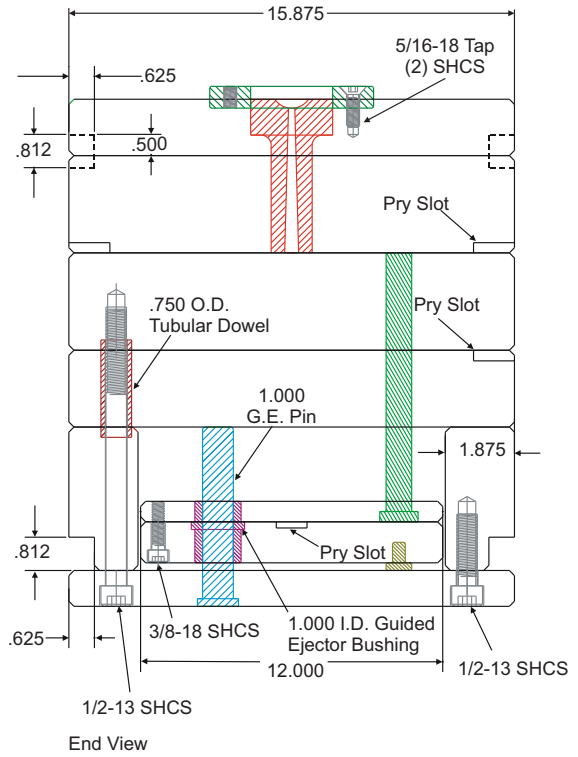
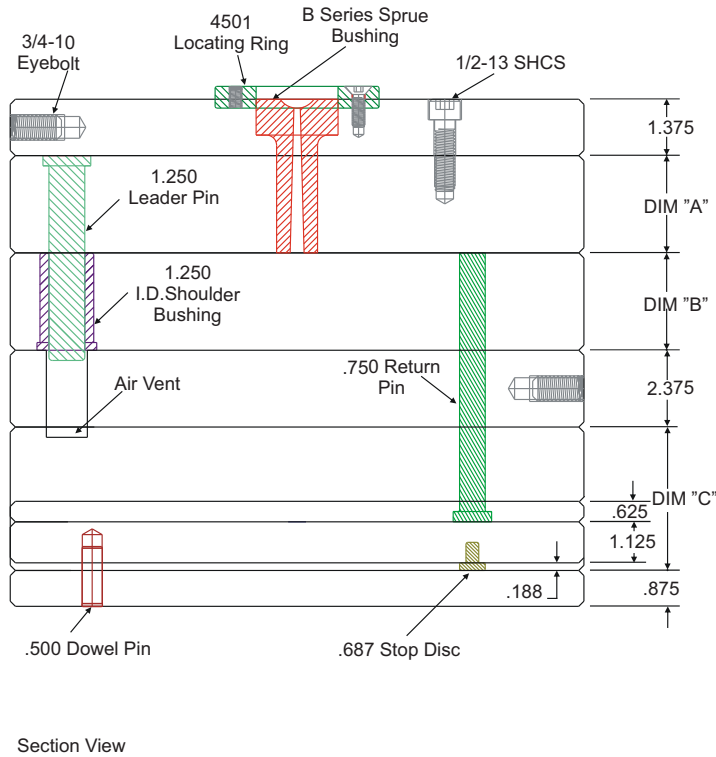
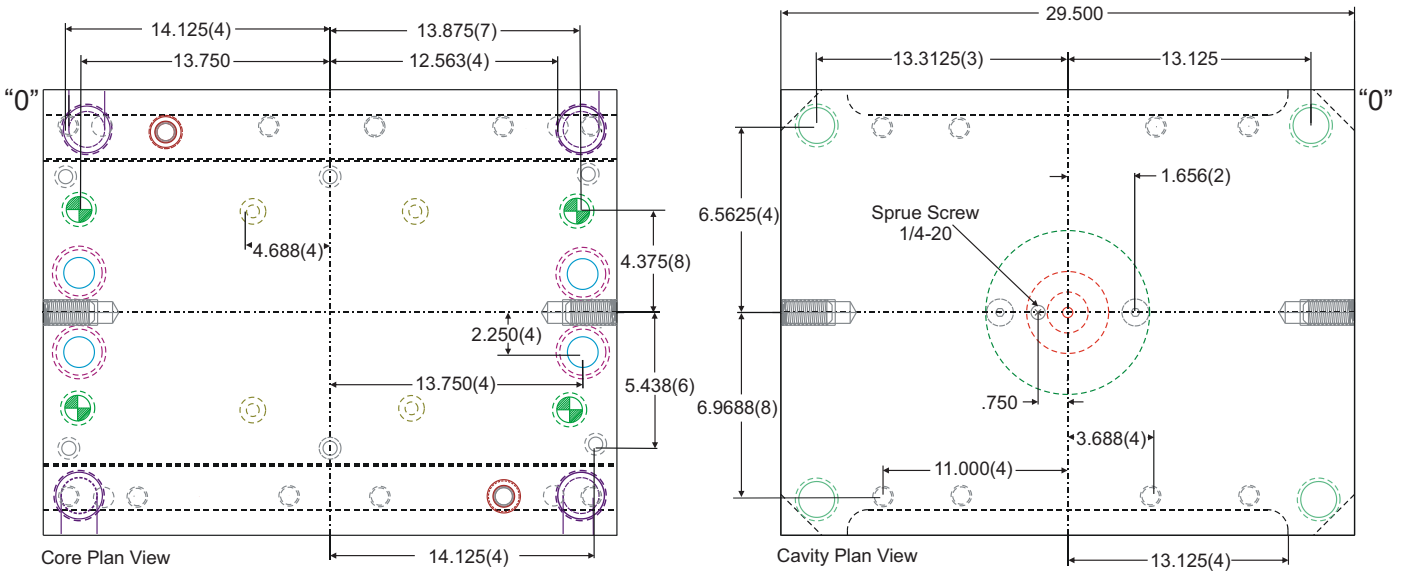
15-7/8" x 29-1/2" 1629 Mold Base

B Series Sprue Bushing = 1.000
Guided Ejection can be omitted

AVAILABLE PLATE THICKNESSES

	7/8	1-3/8	1-7/8	2-3/8	2-7/8	3-3/8	3-7/8	4-7/8	5-7/8
A	•	•	•	•	•	•	•	•	•
B	•	•	•	•	•	•	•	•	•

C dimensions; 2-1/2, 3, 3-1/2, 4, 4-1/2, 5, 6



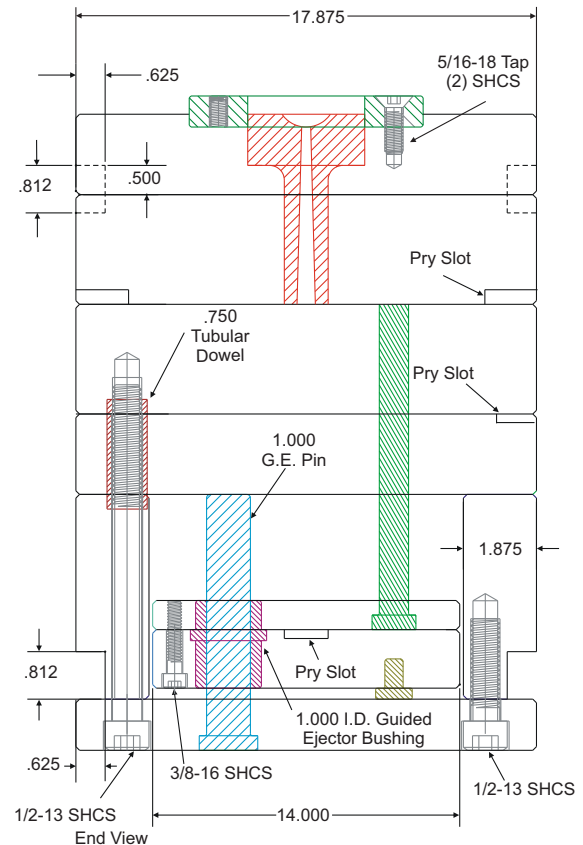
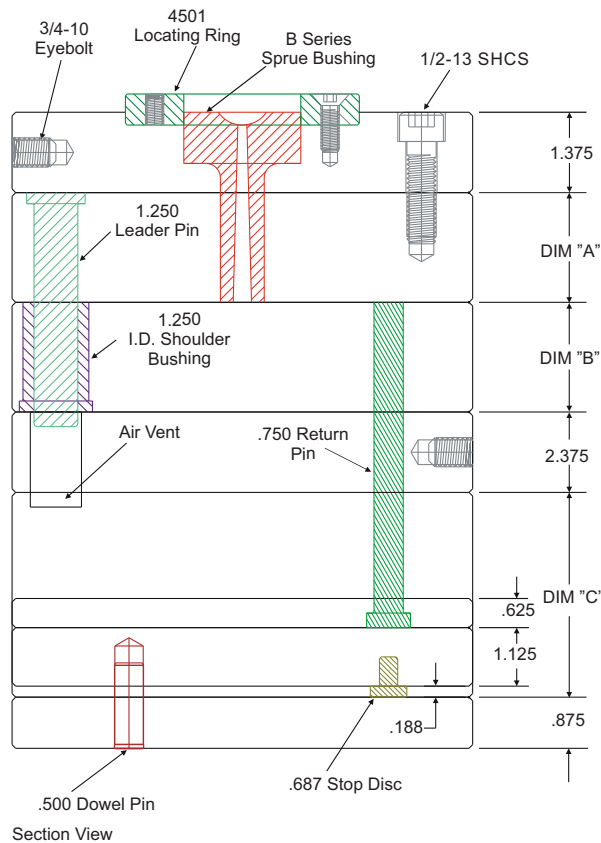
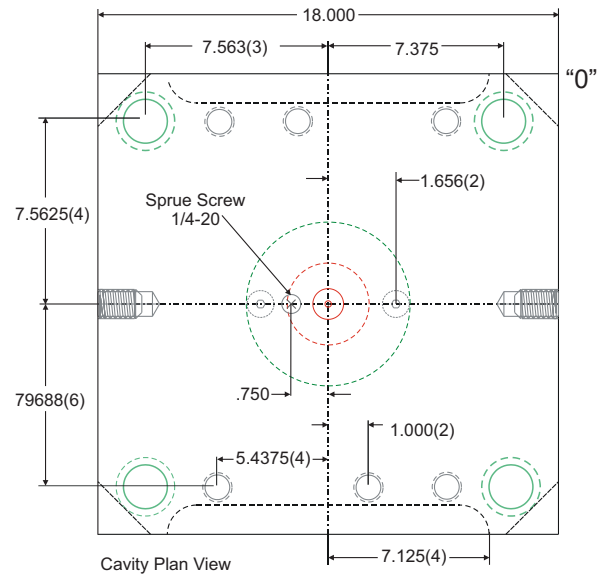
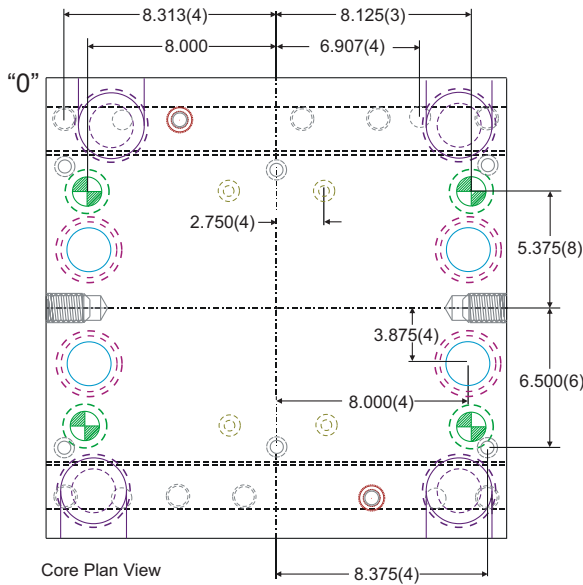
17-7/8" x 18" 1818 Mold Base

AVAILABLE PLATE THICKNESSES

	7/8	1-3/8	1-7/8	2-3/8	2-7/8	3-3/8	3-7/8	4-7/8	5-7/8
A	•	•	•	•	•	•	•	•	•
B	•	•	•	•	•	•	•	•	•

C dimensions; 2-1/2, 3, 3-1/2, 4, 4-1/2, 5, 6

B Series Sprue Bushing = 1.000
Guided Ejection can be omitted



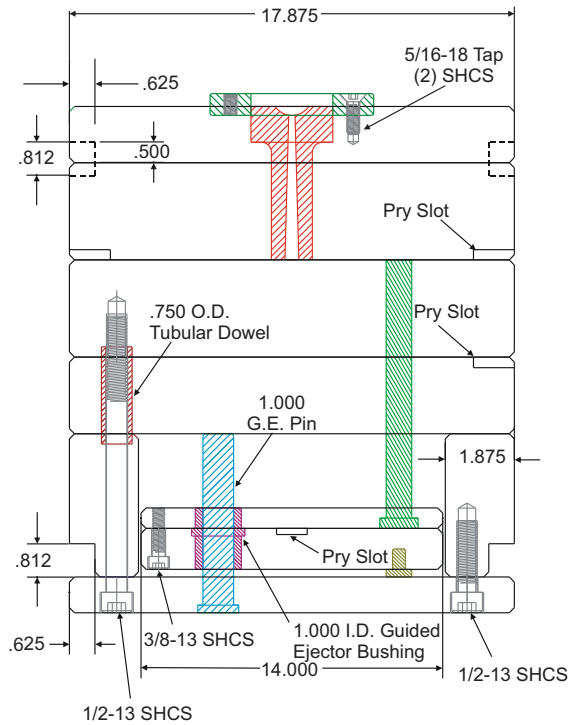
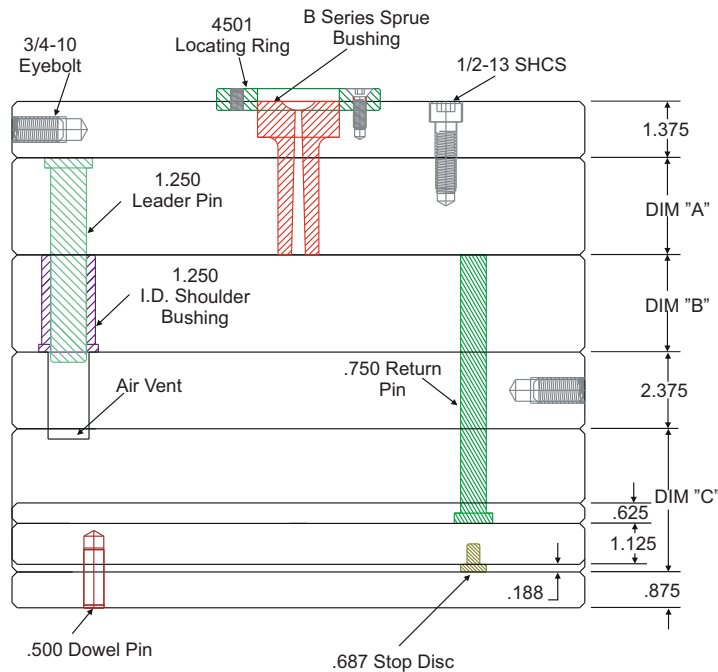
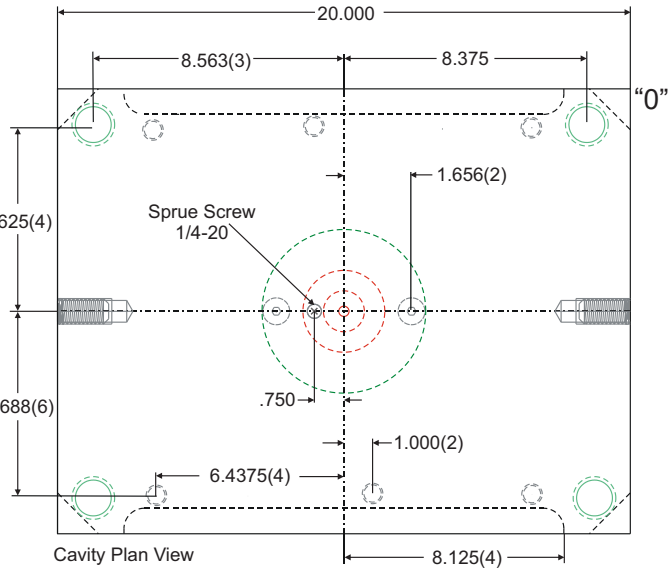
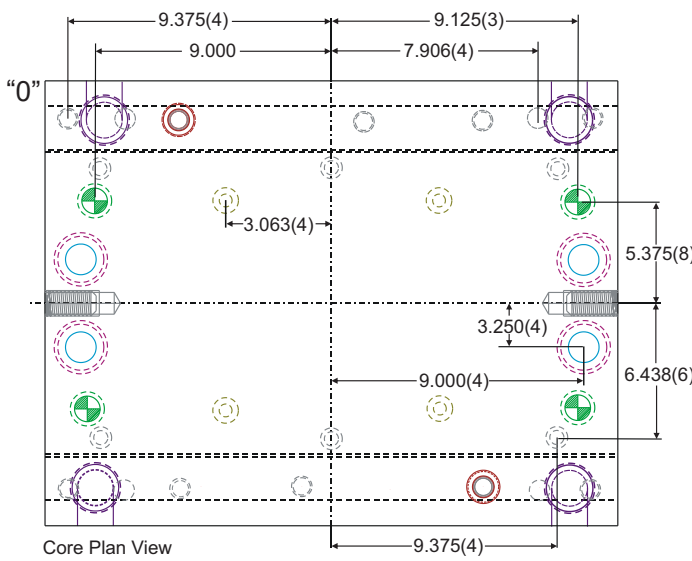
17-7/8" x 20" 1820 Mold Base

B Series Sprue Bushing = 1.000
Guided Ejection can be omitted

AVAILABLE PLATE THICKNESSES

	7/8	1-3/8	1-7/8	2-3/8	2-7/8	3-3/8	3-7/8	4-7/8	5-7/8
A	•	•	•	•	•	•	•	•	•
B	•	•	•	•	•	•	•	•	•

C dimensions; 2-1/2, 3, 3-1/2, 4, 4-1/2, 5, 6



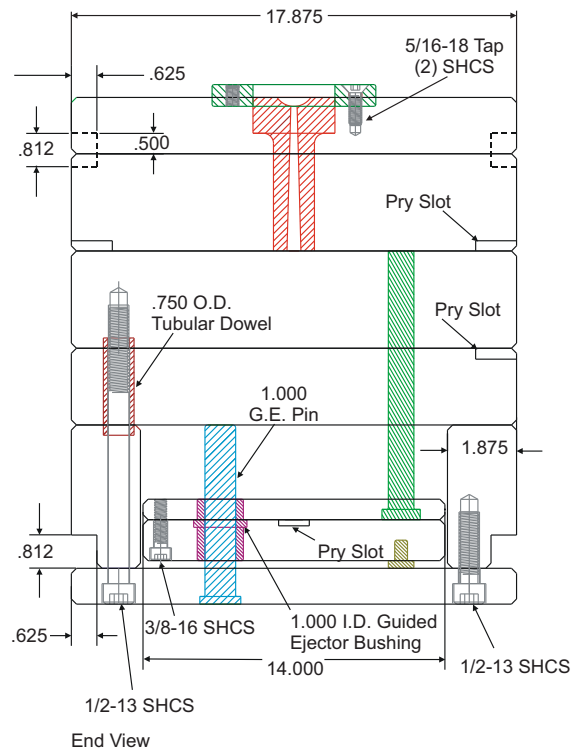
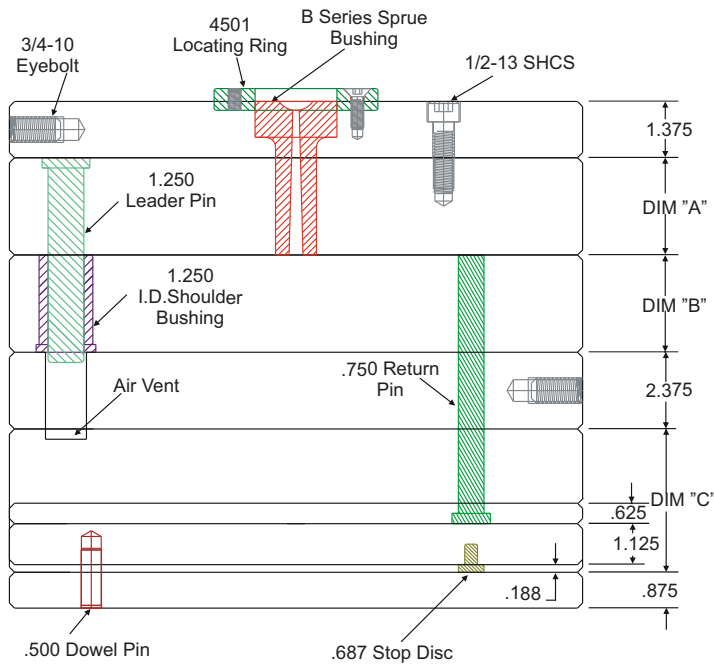
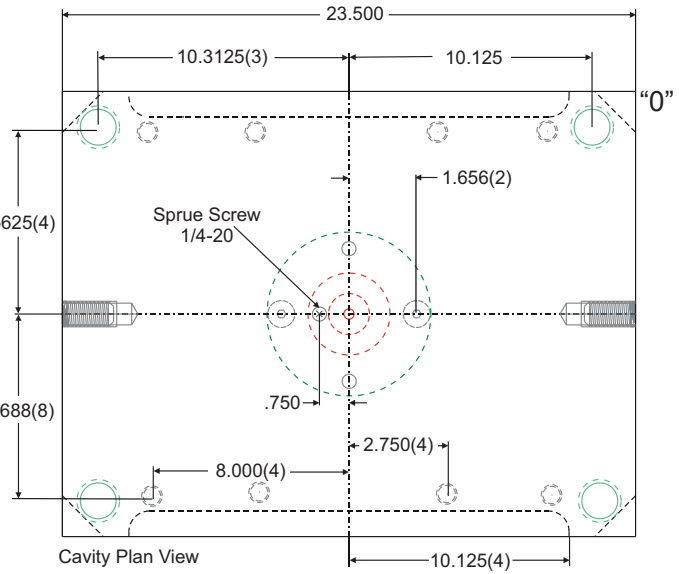
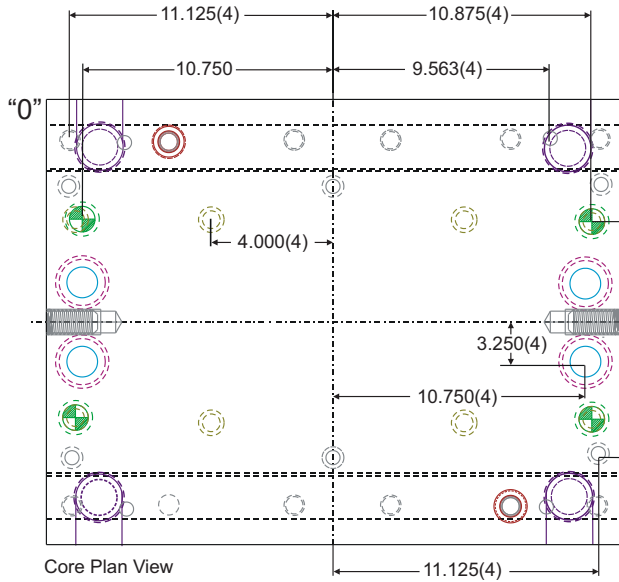
17-7/8" x 23-1/2" 1823 Mold Base

AVAILABLE PLATE THICKNESSES

	7/8	1-3/8	1-7/8	2-3/8	2-7/8	3-3/8	3-7/8	4-7/8	5-7/8
A	•	•	•	•	•	•	•	•	•
B	•	•	•	•	•	•	•	•	•

C dimensions; 2-1/2, 3, 3-1/2, 4, 4-1/2, 5, 6

B Series Sprue Bushing = 1.000
Guided Ejection can be omitted



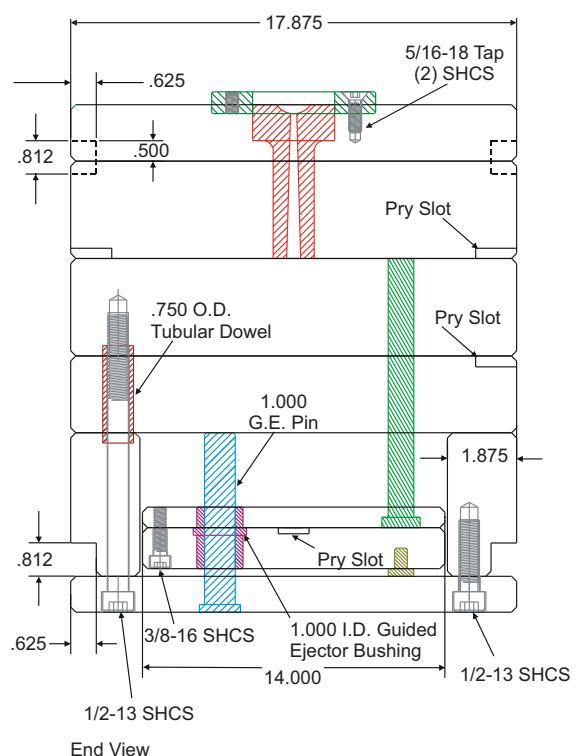
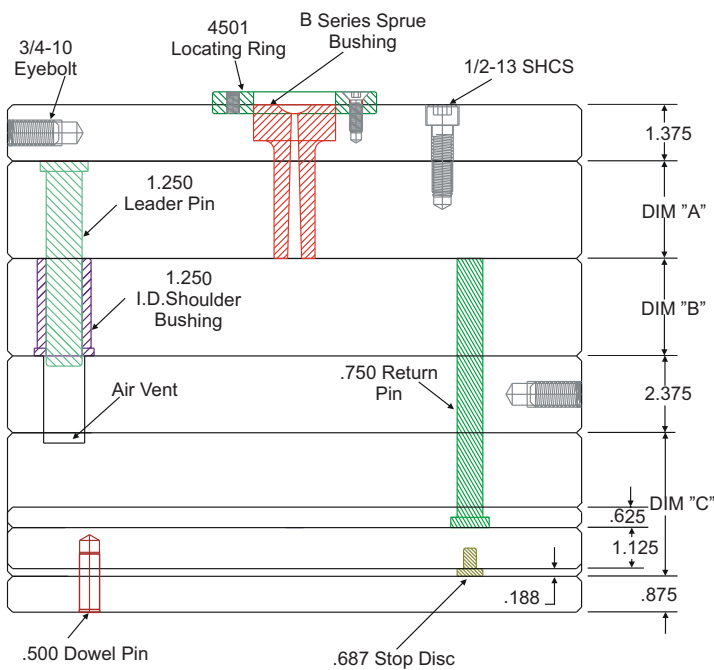
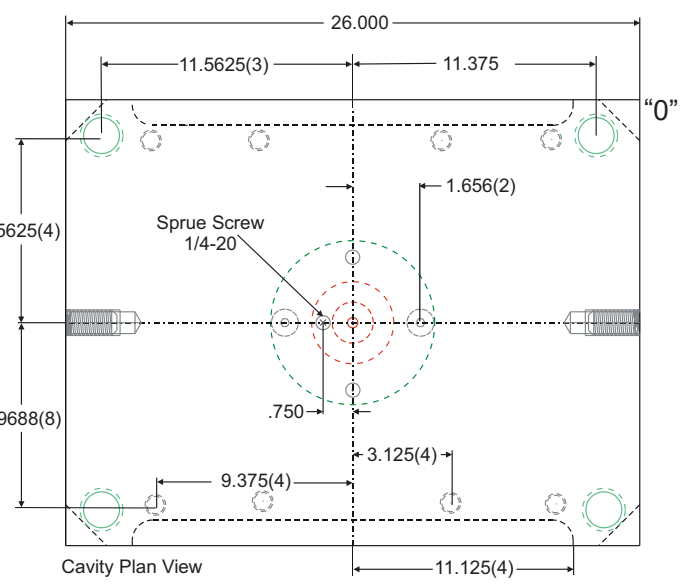
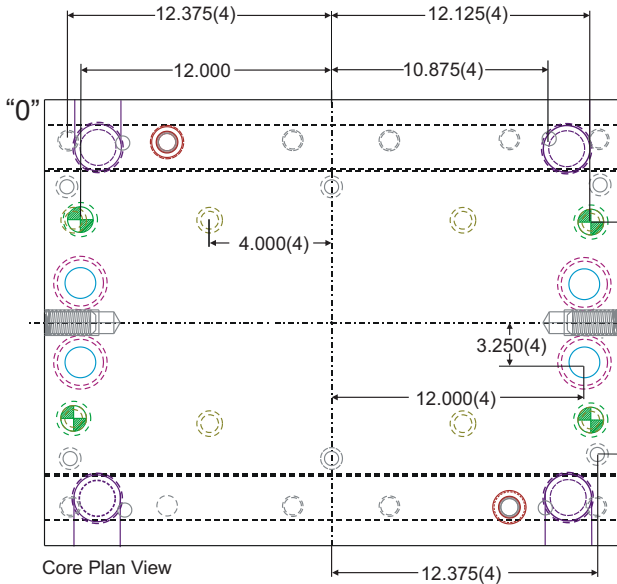
17-7/8" x 26" 1826 Mold Base

B Series Sprue Bushing = 1.000
 Guided Ejection can be omitted

AVAILABLE PLATE THICKNESSES

	7/8	1-3/8	1-7/8	2-3/8	2-7/8	3-3/8	3-7/8	4-7/8	5-7/8
A	•	•	•	•	•	•	•	•	•
B	•	•	•	•	•	•	•	•	•

C dimensions; 2-1/2, 3, 3-1/2, 4, 4-1/2, 5, 6



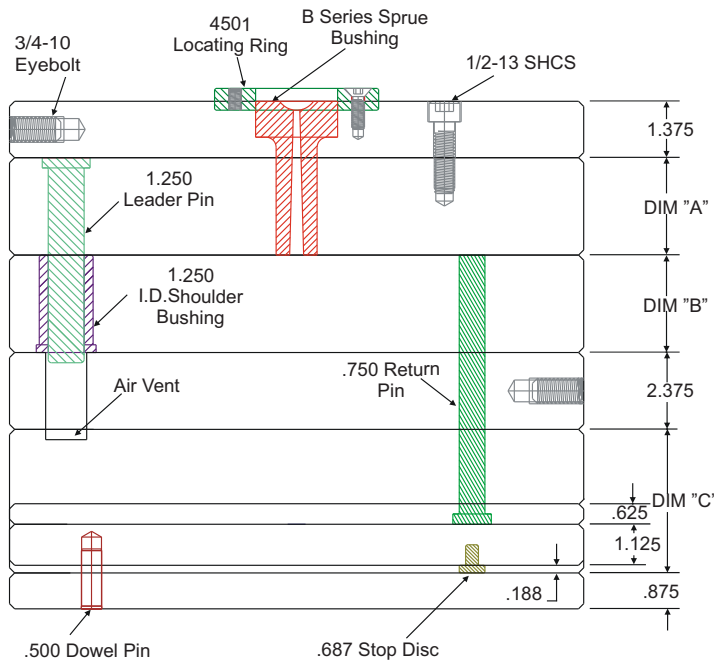
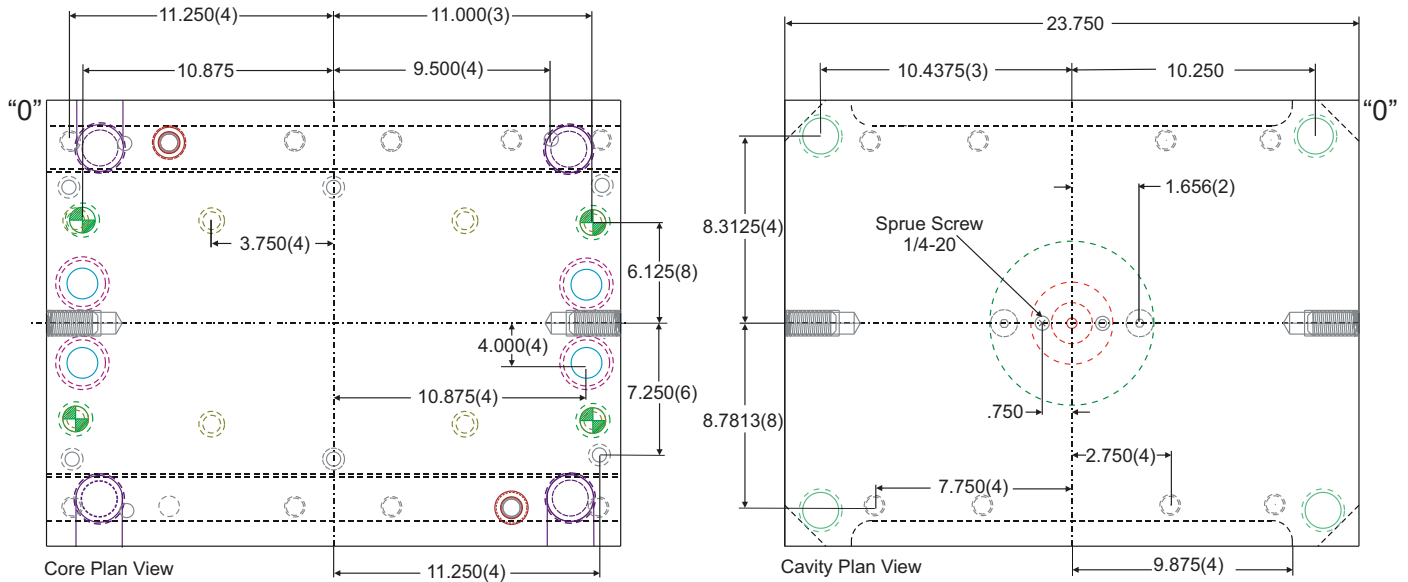
19-1/2" x 23-3/4" 1924 Mold Base

AVAILABLE PLATE THICKNESSES

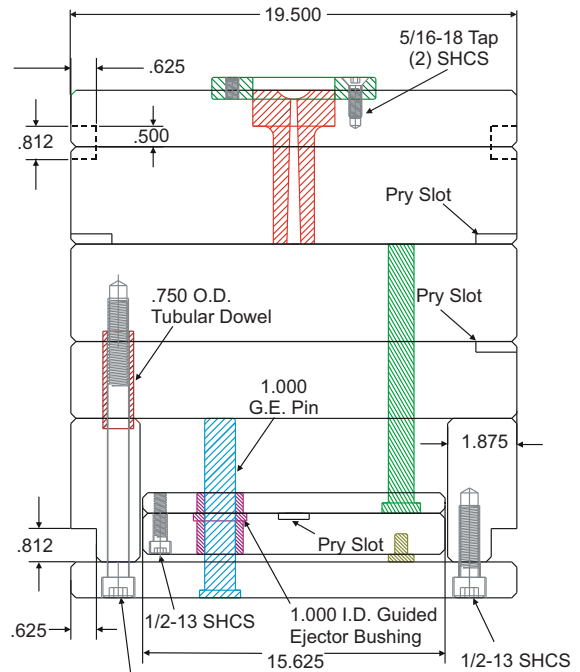
	7/8	1-3/8	1-7/8	2-3/8	2-7/8	3-3/8	3-7/8	4-7/8	5-7/8
A	•	•	•	•	•	•	•	•	•
B	•	•	•	•	•	•	•	•	•

B Series Sprue Bushing = 1.000
Guided Ejection can be omitted

C dimensions; 2-1/2, 3, 3-1/2, 4, 4-1/2, 5, 6



Section View



End View

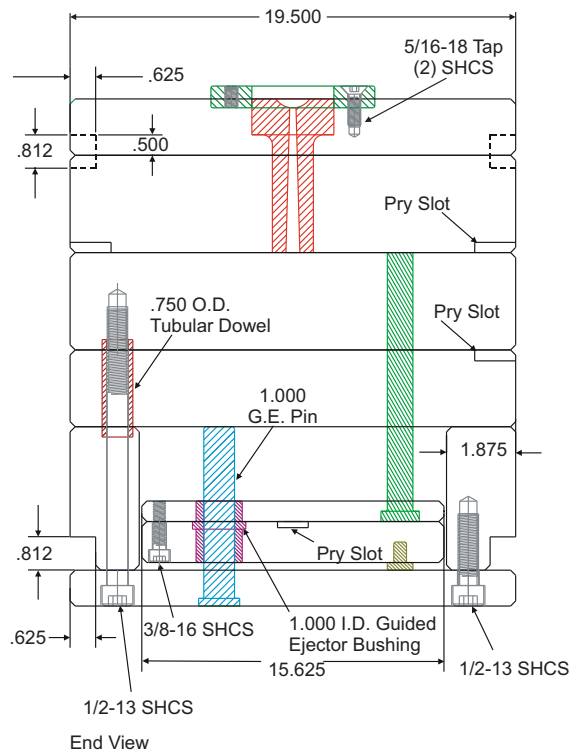
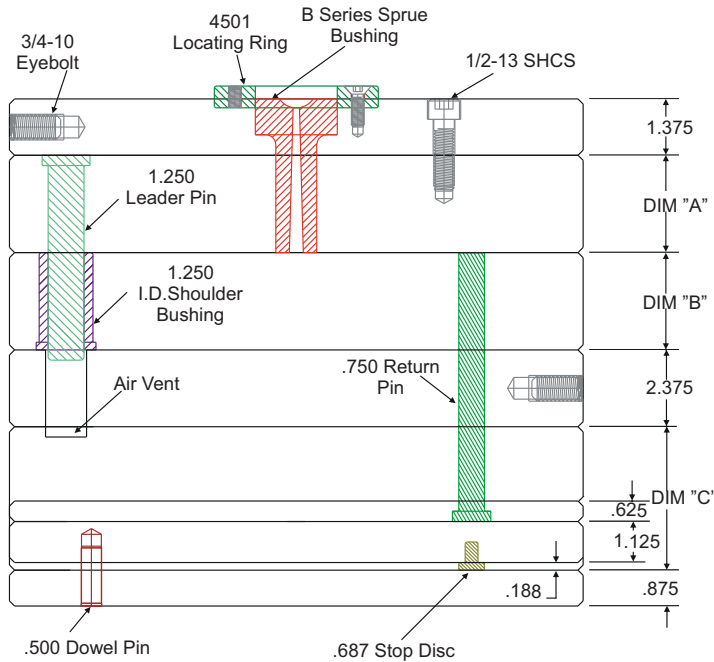
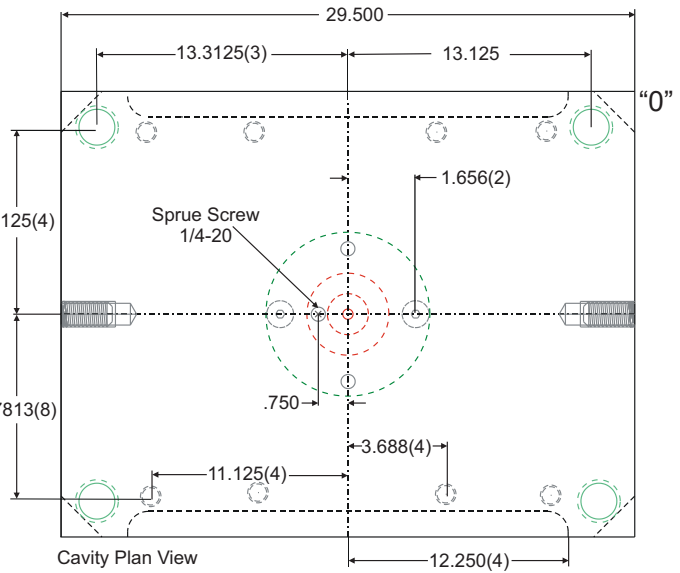
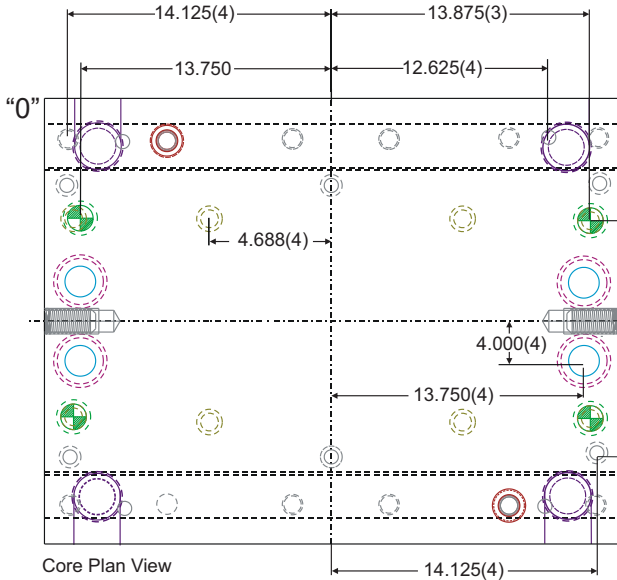
19-1/2" x 29-1/2" 1929 Mold Base

B Series Sprue Bushing = 1.000
 Guided Ejection can be omitted

AVAILABLE PLATE THICKNESSES

	7/8	1-3/8	1-7/8	2-3/8	2-7/8	3-3/8	3-7/8	4-7/8	5-7/8
A	•	•	•	•	•	•	•	•	•
B	•	•	•	•	•	•	•	•	•

C dimensions; 2-1/2, 3, 3-1/2, 4, 4-1/2, 5, 6



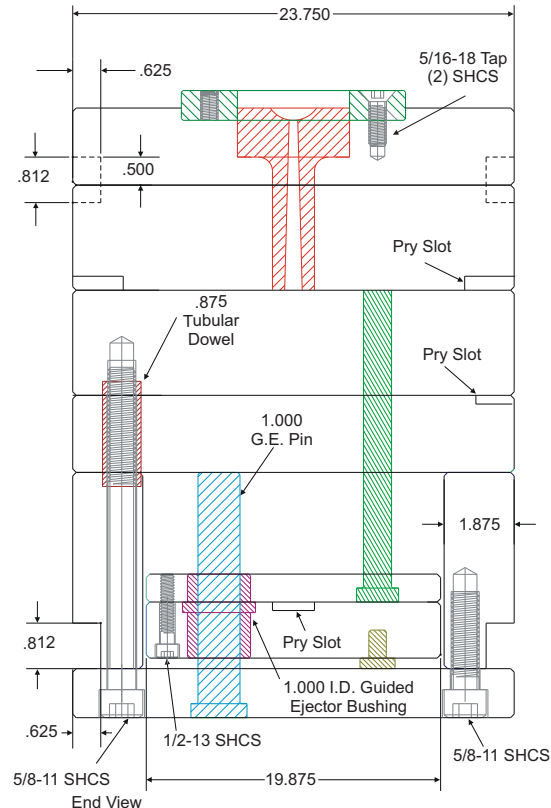
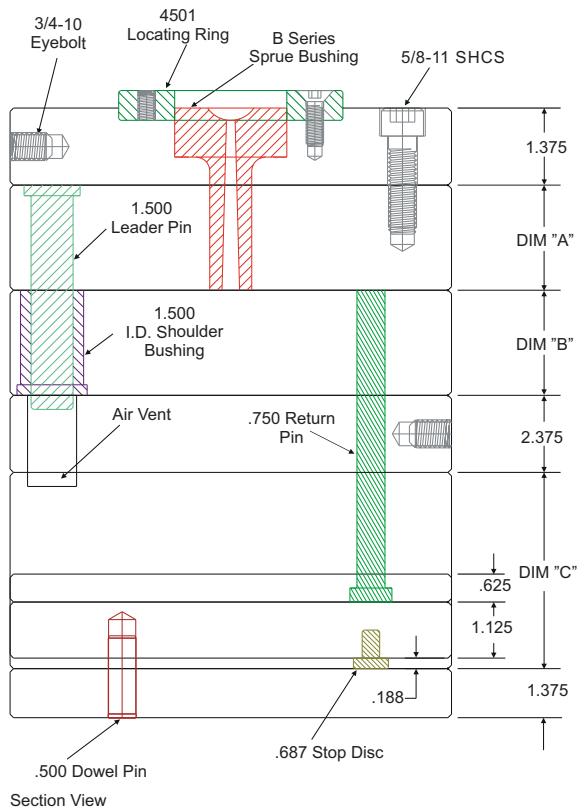
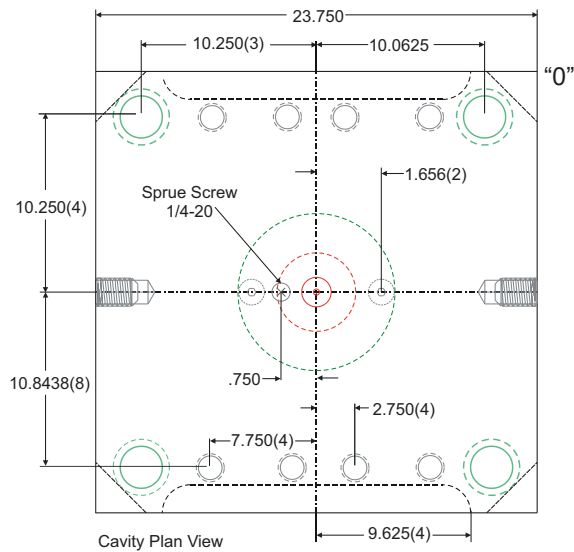
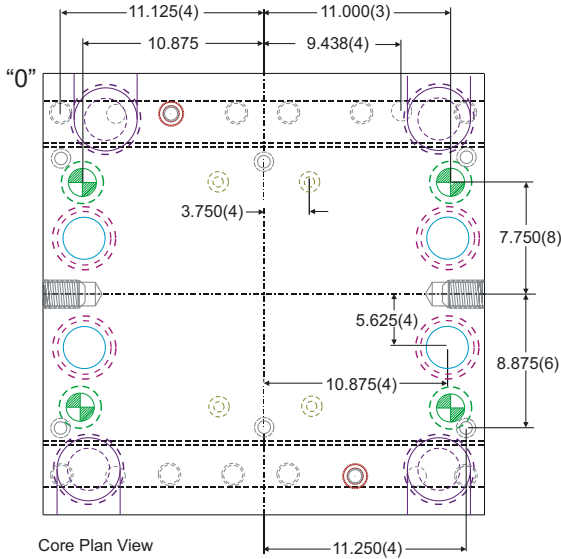
23-3/4" x 23-3/4" 2424 Mold Base

AVAILABLE PLATE THICKNESSES

	7/8	1-3/8	1-7/8	2-3/8	2-7/8	3-3/8	3-7/8	4-7/8	5-7/8
A	•	•	•	•	•	•	•	•	•
B	•	•	•	•	•	•	•	•	•

C dimensions; 2-1/2, 3, 3-1/2, 4, 4-1/2, 5, 6

B Series Sprue Bushing = 1.000
Guided Ejection can be omitted



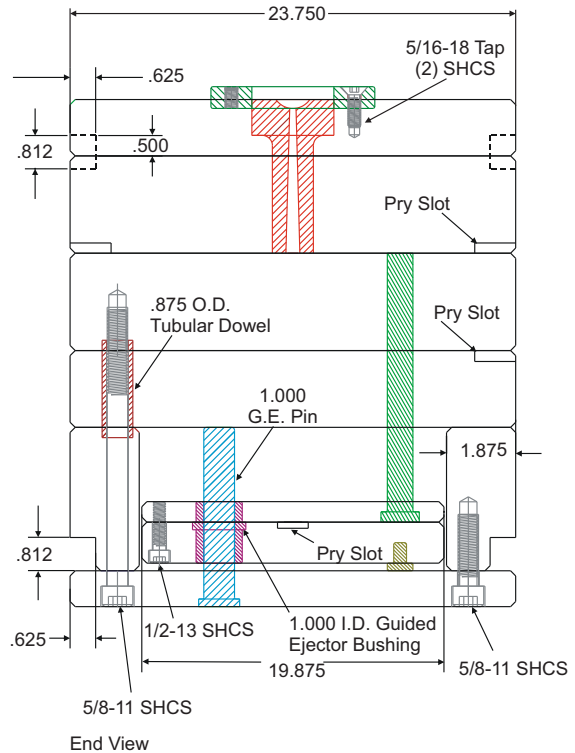
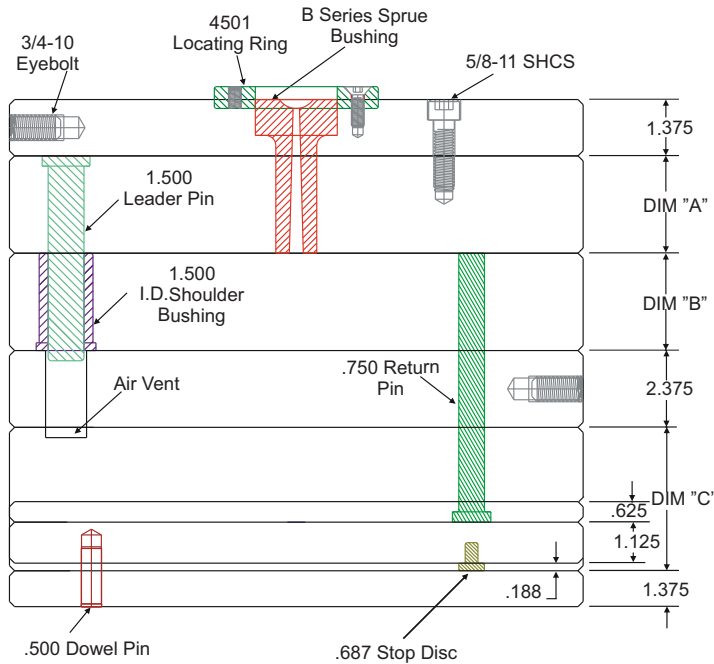
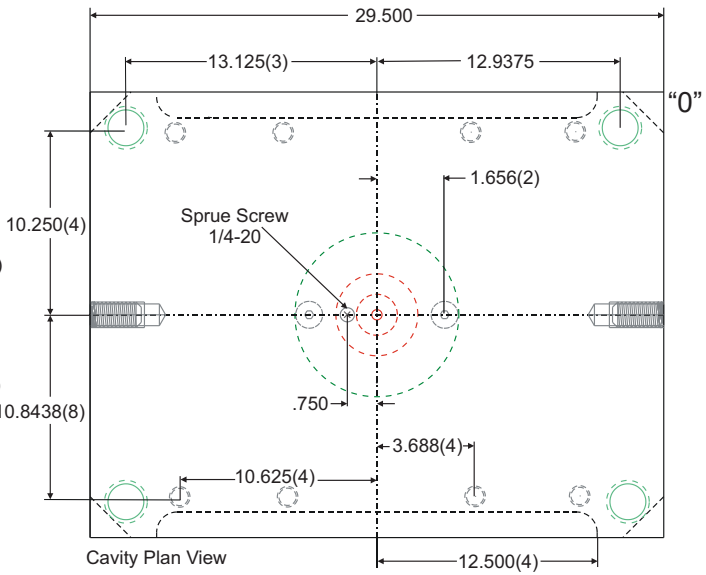
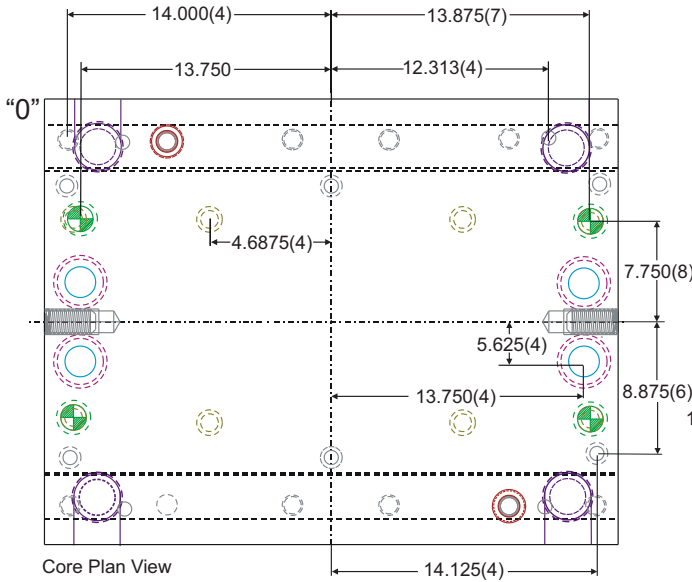
23-3/4" x 29-1/2" 2429 Mold Base

B Series Sprue Bushing = 1.000
 Guided Ejection can be omitted

AVAILABLE PLATE THICKNESSES

	7/8	1-3/8	1-7/8	2-3/8	2-7/8	3-3/8	3-7/8	4-7/8	5-7/8
A	•	•	•	•	•	•	•	•	•
B	•	•	•	•	•	•	•	•	•

C dimensions; 2-1/2, 3, 3-1/2, 4, 4-1/2, 5, 6



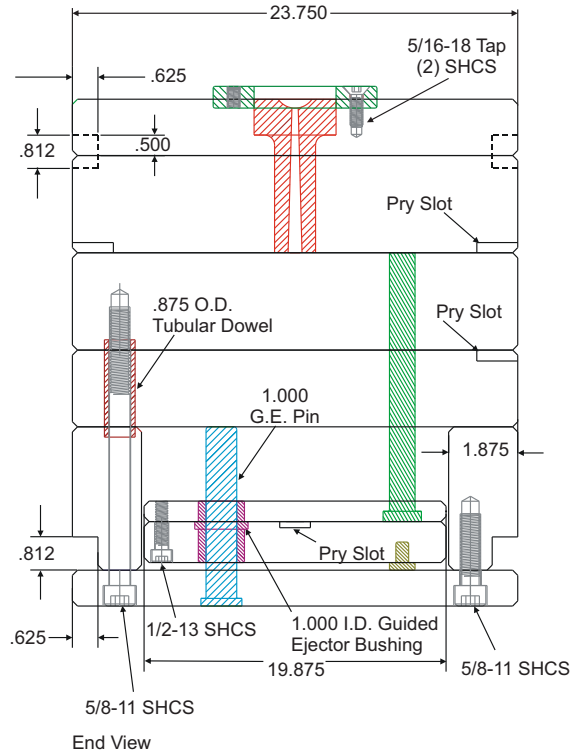
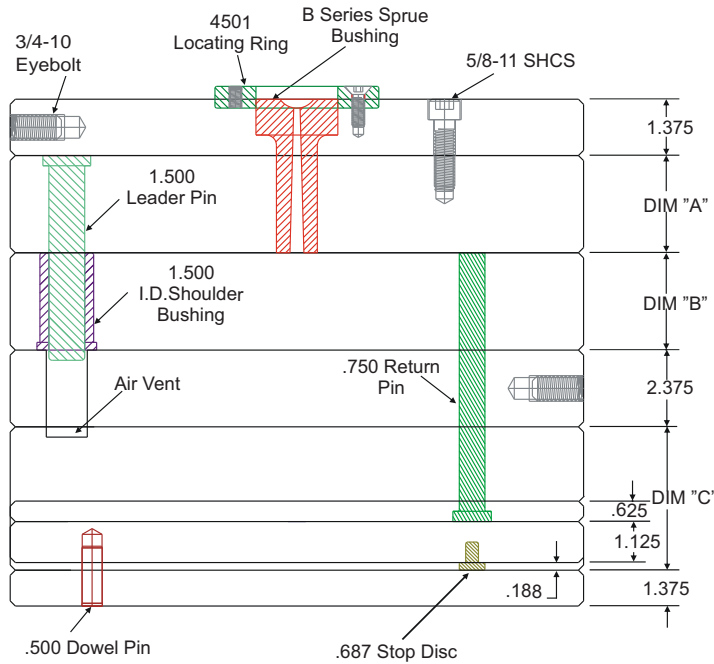
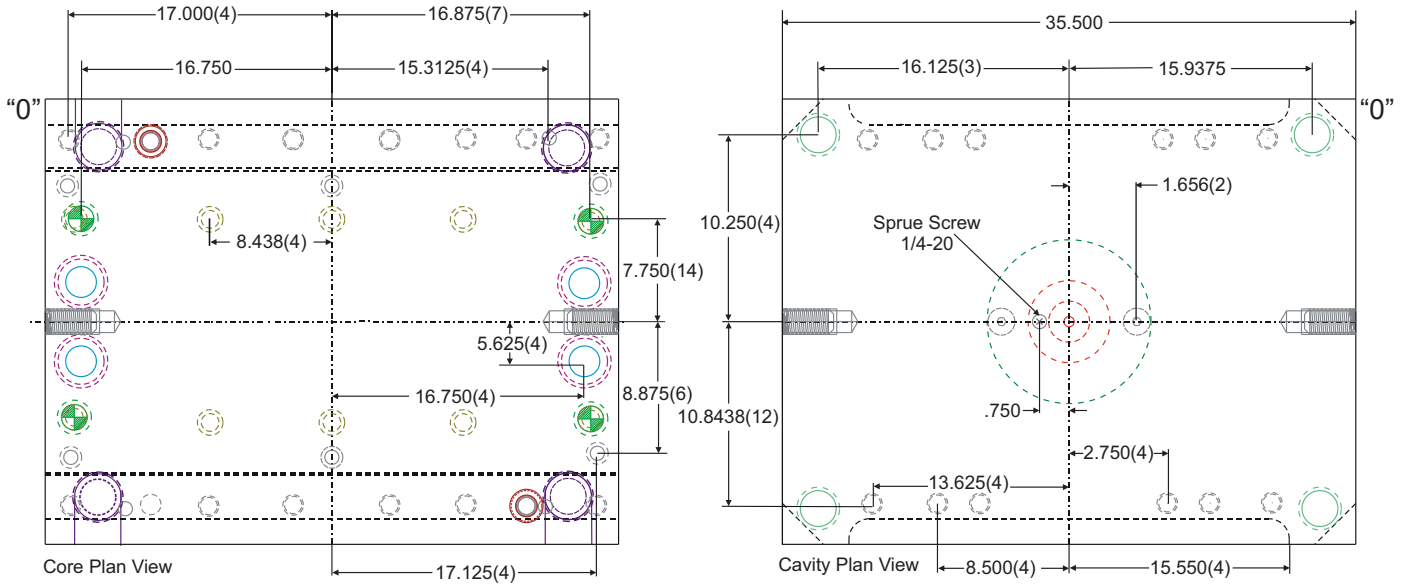
23-3/4" x 35-1/2" 2435 Mold Base

AVAILABLE PLATE THICKNESSES

	7/8	1-3/8	1-7/8	2-3/8	2-7/8	3-3/8	3-7/8	4-7/8	5-7/8
A	•	•	•	•	•	•	•	•	•
B	•	•	•	•	•	•	•	•	•

B Series Sprue Bushing = 1.000
Guided Ejection can be omitted

C dimensions; 2-1/2, 3, 3-1/2, 4, 4-1/2, 5, 6



Section View

End View

Stainless Steel Mold Bases

- All plates 420 stainless steel (300-340 BHN)
- Guided ejection
- Locating Ring
- Sprue Bushing
- Finished stop discs
- Ground parting line surfaces
- Interchangeable plates
- Return pins - Inboard location for spring pockets
- Vented leader pins
- Hoist ring holes
- Pry slots
- 3D CAD data available



Standard Stainless Steel A Series Mold Bases are manufactured from 420 stainless steel. 24 different frame size and plate thickness combinations are available. Shuttle style mold bases are also available.

FRAME SIZE	A PLATE THICKNESS	B PLATE THICKNESS	RAIL HEIGHT	CATALOG NO.	
7-7/8" x 7-7/8"	1-3/8"	1-7/8"	3"	88A-13-17-3-SS	
			4"	88A-13-17-4-SS	
		2-3/8"	3"	88A-13-23-3-SS	
			4"	88A-13-23-4-SS	
	1-7/8"	1-7/8"	3"	88A-17-17-3-SS	
			4"	88A-17-17-4-SS	
		2-3/8"	3"	88A-17-23-3-SS	
			4"	88A-17-23-4-SS	
7-7/8" x 11-7/8"	1-3/8"	1-7/8"	3"	812A-13-17-3-SS	
			4"	812A-13-17-4-SS	
		2-3/8"	3"	812A-13-23-3-SS	
			4"	812A-13-23-4-SS	
	1-7/8"	1-7/8"	3"	812A-17-17-3-SS	
			4"	812A-17-17-4-SS	
		2-3/8"	3"	812A-17-23-3-SS	
			4"	812A-17-23-4-SS	
	9-7/8" x 11-7/8"	1-3/8"	1-7/8"	3"	1012A-13-17-3-SS
				4"	1012A-13-17-4-SS
			2-3/8"	3"	1012A-13-23-3-SS
				4"	1012A-13-23-4-SS
1-7/8"		1-7/8"	3"	1012A-17-17-3-SS	
			4"	1012A-17-17-4-SS	
		2-3/8"	3"	1012A-17-23-3-SS	
			4"	1012A-17-23-4-SS	

Custom sizes available upon request

Phone: 800-521-0546 E-mail: sales@pcs-company.com Fax: 800-505-3299
www.pcs-company.com

Aluminum Mold Bases



- Locating ring hole 4.000" diameter
- Milled clamp slots
- Ground parting line surface
- Vented leader pins
- Three piece assembled ejector housing
- Milled ejector plate requiring no rest buttons
- Beveled edges on all corners
- Parting line pry slots
- 3D CAD data available
- Made in the U.S.A.

PCS Standard Aluminum Mold Bases are precision machined from 7075 aluminum. 23 standard frame size and plate thickness combinations are available. Aluminum mold bases have faster cycle times when compared to pre-hardened P-20 molds. Machining costs and lead-time is dramatically reduced when using an Aluminum Mold Base. Aluminum Mold Bases are made to order, please call PCS for lead time.

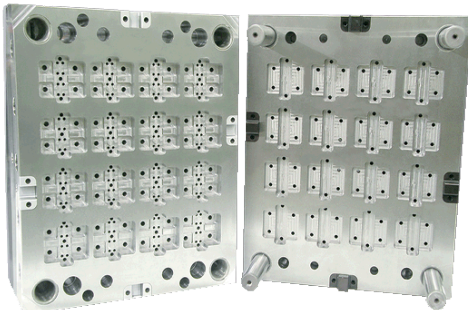
Aluminum Mold Base Frame Sizes and Available Plate Thicknesses

FRAME SIZE	PLATE THICKNESS (A & B PLATE)				RAIL HEIGHT
	1.94"	2.44"	2.94"	3.44"	
8.0" x 8.0"	AL-88-19-19	AL-88-24-24	AL-88-29-29		3"
8.0" x 10.0"	AL-810-19-19	AL-810-24-24	AL-810-29-29		3"
8.0" x 12.0"	AL-812-19-19	AL-812-24-24	AL-812-29-29		3"
10.0" x 10.0"		AL-1010-24-24	AL-1010-29-29	AL-1010-34-34	3"
10.0" x 12.0"		AL-1012-24-24	AL-1012-29-29	AL-1012-34-34	3"
10.0" x 14.0"		AL-1014-24-24	AL-1014-29-29	AL-1014-34-34	3"
12.0" x 12.0"		AL-1212-24-24	AL-1212-29-29	AL-1212-34-34	3-1/2"
12.0" x 14.0"			AL-1214-29-29		3-1/2"
12.0" x 16.0"			AL-1216-29-29		3-1/2"

Note: PCS standard aluminum & PCS standard steel mold bases have different hole location.

Top Clamp Plate thickness is .88". Please see CAD data for details.

Special Mold Bases



PCS Company special mold bases are manufactured in the U.S.A. to customer 3D CAD data specifications. Machining tolerances are maintained utilizing the latest CNC machinery and tooling. Manufacturing accuracy is inspected and verified using CMM technology. PCS Company manufacturing processes have earned stringent ISO 9001:2015 registration.

Machining Capabilities

Advanced Special Machining

- Finished Bored Holes
- Secondary and Reversed Leader Pins
- Hot Half & Manifolds
- Parting line relief
- Runners
- Finished Tapered Pockets

Pocket Work Straight Wall

- Rough Pockets
- Finished Pockets
- Slide Pockets
- Lock Pockets
- Heel Block Pockets
- Insert Pockets
- Spring Pockets
- Wired EDM

Drilling

- Water Lines (Gun Drilling)
- Ejector Pin Holes
- Angle Pin Holes
- Knock out holes
- Eye bolt holes
- Guided Ejection
- Leader Pins
- Return Pins
- Stripper Bolts
- Spring Return Holes

Slotting

- Pry Bar Slots
- Clamp Slots
- Wire Slots

Additional Capabilities

- Saw Cut
- Grinding

Manufacturing

- 4 axis CNC machines
- Carbide Tooling
- Best practice machining process
- Machining to customer specified tolerances
- Machining programmed to 3D CAD files
- All machining performed in the U.S.A.

Software Capabilities

- 3D CAD Models Preferred
- Native Solid Works
- Parasolid (preferred), STEP, .dxf & IGS

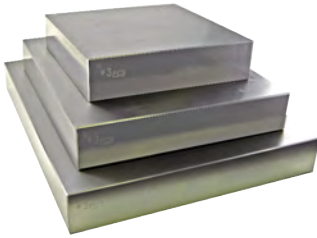
Quality Assurance

- ISO9001:2008 Registered Since 2002
- CMM Inspection
- CAD File Review & Consultation

Quotations & Design

- Fast quote turnaround time
- Online PCS Standard Mold Base CAD library available
- PCS File Share available for fast and easy large file transfer

Blank Finish Ground Mold Plate



- Off the shelf availability
- Plate thickness range: 7/8" - 5-7/8"
- Finish ground +/- .001"
- P20 (#3) steel pre-heat treated 280-320 BHN/28-34 HRC
- Stainless Steel pre-heat treated 300-340 BHN/32-36 HRC

Finish Ground Blank Mold Plate is available in P-20 (#3) steel. Plate thicknesses and frame sizes range across the entire line of PCS standard mold bases. Blank Plate is also available in stainless steel.

FRAME SIZE	P20 (#3) STEEL PLATE THICKNESS								
	7/8"	1-3/8"	1-7/8"	2-3/8"	2-7/8"	3-3/8"	3-7/8"	4-7/8"	5-7/8"
7-7/8" x 7-7/8"	3MP-88-07	3MP-88-13	3MP-88-17	3MP-88-23	3MP-88-27	3MP-88-33	3MP-88-37	3MP-88-47	3MP-88-57
7-7/8" x 11-7/8"	3MP-812-07	3MP-812-13	3MP-812-17	3MP-812-23	3MP-812-27	3MP-812-33	3MP-812-37	3MP-812-47	3MP-812-57
9-7/8" x 8"	3MP-108-07	3MP-108-13	3MP-108-17	3MP-108-23	3MP-108-27	3MP-108-33	3MP-108-37	3MP-108-47	3MP-108-57
9-7/8" x 11-7/8"	3MP-1012-07	3MP-1012-13	3MP-1012-17	3MP-1012-23	3MP-1012-27	3MP-1012-33	3MP-1012-37	3MP-1012-47	3MP-1012-57
9-7/8" x 16"	3MP-1016-07	3MP-1016-13	3MP-1016-17	3MP-1016-23	3MP-1016-27	3MP-1016-33	3MP-1016-37	3MP-1016-47	3MP-1016-57
10-7/8" x 12"	3MP-1112-07	3MP-1112-13	3MP-1112-17	3MP-1112-23	3MP-1112-27	3MP-1112-33	3MP-1112-37	3MP-1112-47	3MP-1112-57
10-7/8" x 14"	3MP-1114-07	3MP-1114-13	3MP-1114-17	3MP-1114-23	3MP-1114-27	3MP-1114-33	3MP-1114-37	3MP-1114-47	3MP-1114-57
10-7/8" x 18"	3MP-1118-07	3MP-1118-13	3MP-1118-17	3MP-1118-23	3MP-1118-27	3MP-1118-33	3MP-1118-37	3MP-1118-47	3MP-1118-57
11-7/8" x 12"	3MP-1212-07	3MP-1212-13	3MP-1212-17	3MP-1212-23	3MP-1212-27	3MP-1212-33	3MP-1212-37	3MP-1212-47	3MP-1212-57
11-7/8" x 15"	3MP-1215-07	3MP-1215-13	3MP-1215-17	3MP-1215-23	3MP-1215-27	3MP-1215-33	3MP-1215-37	3MP-1215-47	3MP-1215-57
11-7/8" x 20"	3MP-1220-07	3MP-1220-13	3MP-1220-17	3MP-1220-23	3MP-1220-27	3MP-1220-33	3MP-1220-37	3MP-1220-47	3MP-1220-57
11-7/8" x 23-1/2"	3MP-1223-07	3MP-1223-13	3MP-1223-17	3MP-1223-23	3MP-1223-27	3MP-1223-33	3MP-1223-37	3MP-1223-47	3MP-1223-57
13-3/8" x 15"	3MP-1315-07	3MP-1315-13	3MP-1315-17	3MP-1315-23	3MP-1315-27	3MP-1315-33	3MP-1315-37	3MP-1315-47	3MP-1315-57
13-3/8" x 18"	3MP-1318-07	3MP-1318-13	3MP-1318-17	3MP-1318-23	3MP-1318-27	3MP-1318-33	3MP-1318-37	3MP-1318-47	3MP-1318-57
13-3/8" x 20-3/4"	3MP-1321-07	3MP-1321-13	3MP-1321-17	3MP-1321-23	3MP-1321-27	3MP-1321-33	3MP-1321-37	3MP-1321-47	3MP-1321-57
13-3/8" x 26"	3MP-1326-07	3MP-1326-13	3MP-1326-17	3MP-1326-23	3MP-1326-27	3MP-1326-33	3MP-1326-37	3MP-1326-47	3MP-1326-57
14-7/8" x 17-7/8"	3MP-1518-07	3MP-1518-13	3MP-1518-17	3MP-1518-23	3MP-1518-27	3MP-1518-33	3MP-1518-37	3MP-1518-47	3MP-1518-57
14-7/8" x 23-3/4"	3MP-1524-07	3MP-1524-13	3MP-1524-17	3MP-1524-23	3MP-1524-27	3MP-1524-33	3MP-1524-37	3MP-1524-47	3MP-1524-57
15-7/8" x 16"	3MP-1616-07	3MP-1616-13	3MP-1616-17	3MP-1616-23	3MP-1616-27	3MP-1616-33	3MP-1616-37	3MP-1616-47	3MP-1616-57
15-7/8" x 20"	3MP-1620-07	3MP-1620-13	3MP-1620-17	3MP-1620-23	3MP-1620-27	3MP-1620-33	3MP-1620-37	3MP-1620-47	3MP-1620-57
15-7/8" x 23-1/2"	3MP-1623-07	3MP-1623-13	3MP-1623-17	3MP-1623-23	3MP-1623-27	3MP-1623-33	3MP-1623-37	3MP-1623-47	3MP-1623-57
15-7/8" x 26"	3MP-1626-07	3MP-1626-13	3MP-1626-17	3MP-1626-23	3MP-1626-27	3MP-1626-33	3MP-1626-37	3MP-1626-47	3MP-1626-57
15-7/8" x 29-1/2"	3MP-1629-07	3MP-1629-13	3MP-1629-17	3MP-1629-23	3MP-1629-27	3MP-1629-33	3MP-1629-37	3MP-1629-47	3MP-1629-57
17-7/8" x 18"	3MP-1818-07	3MP-1818-13	3MP-1818-17	3MP-1818-23	3MP-1818-27	3MP-1818-33	3MP-1818-37	3MP-1818-47	3MP-1818-57
17-7/8" x 20"	3MP-1820-07	3MP-1820-13	3MP-1820-17	3MP-1820-23	3MP-1820-27	3MP-1820-33	3MP-1820-37	3MP-1820-47	3MP-1820-57
17-7/8" x 23-1/2"	3MP-1823-07	3MP-1823-13	3MP-1823-17	3MP-1823-23	3MP-1823-27	3MP-1823-33	3MP-1823-37	3MP-1823-47	3MP-1823-57
17-7/8" x 26"	3MP-1826-07	3MP-1826-13	3MP-1826-17	3MP-1826-23	3MP-1826-27	3MP-1826-33	3MP-1826-37	3MP-1826-47	3MP-1826-57
19-1/2" x 23-3/4"	3MP-1924-07	3MP-1924-13	3MP-1924-17	3MP-1924-23	3MP-1924-27	3MP-1924-33	3MP-1924-37	3MP-1924-47	3MP-1924-57
19-1/2" x 29-1/2"	3MP-1929-07	3MP-1929-13	3MP-1929-17	3MP-1929-23	3MP-1929-27	3MP-1929-33	3MP-1929-37	3MP-1929-47	3MP-1929-57
23-3/4" x 23-3/4"	3MP-2424-07	3MP-2424-13	3MP-2424-17	3MP-2424-23	3MP-2424-27	3MP-2424-33	3MP-2424-37	3MP-2424-47	3MP-2424-57
23-3/4" x 29-1/2"	3MP-2429-07	3MP-2429-13	3MP-2429-17	3MP-2429-23	3MP-2429-27	3MP-2429-33	3MP-2429-37	3MP-2429-47	3MP-2429-57
23-3/4" x 35-1/2"	3MP-2435-07	3MP-2435-13	3MP-2435-17	3MP-2435-23	3MP-2435-27	3MP-2435-33	3MP-2435-37	3MP-2435-47	3MP-2435-57

FRAME SIZE	STAINLESS STEEL PLATE THICKNESS				
	7/8"	1-3/8"	1-7/8"	2-3/8"	2-7/8"
7-7/8" x 7-7/8"	7MP-88-07	7MP-88-13	7MP-88-17	7MP-88-23	7MP-88-27
7-7/8" x 11-7/8"	7MP-812-07	7MP-812-13	7MP-812-17	7MP-812-23	7MP-812-27
9-7/8" x 8"	7MP-108-07	7MP-108-13	7MP-108-17	7MP-108-23	7MP-108-27
9-7/8" x 11-7/8"	7MP-1012-07	7MP-1012-13	7MP-1012-17	7MP-1012-23	7MP-1012-27
10-7/8" x 14"	7MP-1114-07	7MP-1114-13	7MP-1114-17	7MP-1114-23	7MP-1114-27
11-7/8" x 12"	7MP-1212-07	7MP-1212-13	7MP-1212-17	7MP-1212-23	7MP-1212-27
11-7/8" x 15"	7MP-1215-07	7MP-1215-13	7MP-1215-17	7MP-1215-23	7MP-1215-27

Blank #1 Steel Ejector Plates

- Off the shelf availability
- Finish ground to +/- .001"
- Unit of measure in Inches



Finish Ground Machined Ejector Plates are interchangeable and available in 1050 (#1) steel. Ejector Plate thicknesses and frame sizes range across the entire line of PCS standard mold bases.

CATALOG NO.	FRAME SIZE	WIDTH	LENGTH	THICKNESS
1EP-88-10N	7-7/8" x 7-7/8"	5.250	7.865	1.000
1EP-812-10N	7-7/8" x 11-7/8"	5.250	11.865	1.000
1EP-108-10N	9-7/8" x 8"	6.875	7.990	1.000
1EP-1012-10N	9-7/8" x 11-7/8"	6.875	11.865	1.000
1EP-1016-10N	9-7/8" x 16"	6.875	15.990	1.000
1EP-1112-10N	10-7/8" x 12"	7.375	11.990	1.000
1EP-1114-10N	10-7/8" x 14"	7.375	13.990	1.000
1EP-1118-10N	10-7/8" x 18"	7.375	17.990	1.000
1EP-1212-11N	11-7/8" x 12"	8.375	11.990	1.125
1EP-1215-11N	11-7/8" x 15"	8.375	14.990	1.125
1EP-1220-11N	11-7/8" x 20"	8.375	19.990	1.125
1EP-1223-11N	11-7/8" x 23-1/2"	8.375	23.490	1.125
1EP-1315-11N	13-3/8" x 15"	9.500	14.990	1.125
1EP-1318-11N	13-3/8" x 18"	9.500	17.990	1.125
1EP-1321-11N	13-3/8" x 20-3/4"	9.500	20.740	1.125
1EP-1326-11N	13-3/8" x 26"	9.500	25.990	1.125
1EP-1518-11N	14-7/8" x 17-7/8"	11.000	17.865	1.125
1EP-1524-11N	14-7/8" x 23-3/4"	11.000	23.740	1.125
1EP-1616-11N	15-7/8" x 16"	12.000	15.990	1.125
1EP-1620-11N	15-7/8" x 20"	12.000	19.990	1.125
1EP-1623-11N	15-7/8" x 23-1/2"	12.000	23.490	1.125
1EP-1626-11N	15-7/8" x 26"	12.000	25.990	1.125
1EP-1629-11N	15-7/8" x 29-1/2"	12.000	29.490	1.125
1EP-1818-11N	17-7/8" x 18"	14.000	17.990	1.125
1EP-1820-11N	17-7/8" x 20"	14.000	19.990	1.125
1EP-1823-11N	17-7/8" x 23-1/2"	14.000	23.490	1.125
1EP-1826-11N	17-7/8" x 26"	14.000	25.990	1.125
1EP-1924-11N	19-1/2" x 23-3/4"	15.625	23.740	1.125
1EP-1929-11N	19-1/2" x 29-1/2"	15.625	29.490	1.125
1EP-2424-11N	23-3/4" x 23-3/4"	19.875	23.740	1.125
1EP-2429-11N	23-3/4" x 29-1/2"	19.875	29.490	1.125
1EP-2435-11N	23-3/4" x 35-1/2"	19.875	35.490	1.125

Blank #1 Steel Ejector Retainer Plates

- Off the shelf availability
- Finish ground to $\pm 0.015/-0.000$ "
- Unit of measure in Inches



Finish Ground Machined Ejector Retainer Plates are interchangeable and available in 1050 (#1) steel. Ejector Retainer Plate thicknesses and frame sizes range across the entire line of PCS standard mold bases.

CATALOG NO.	FRAME SIZE	WIDTH	LENGTH	THICKNESS
1ER-88-04N	7-7/8" x 7-7/8"	5.250	7.865	0.500
1ER-812-04N	7-7/8" x 11-7/8"	5.250	11.865	0.500
1ER-108-04N	9-7/8" x 8"	6.875	7.990	0.500
1ER-1012-04N	9-7/8" x 11-7/8"	6.875	11.865	0.500
1ER-1016-04N	9-7/8" x 16"	6.875	15.990	0.500
1ER-1112-04N	10-7/8" x 12"	7.375	11.990	0.500
1ER-1114-04N	10-7/8" x 14"	7.375	13.990	0.500
1ER-1118-04N	10-7/8" x 18"	7.375	17.990	0.500
1ER-1212-04N	11-7/8" x 12"	8.375	11.990	0.500
1ER-1215-04N	11-7/8" x 15"	8.375	14.990	0.500
1ER-1220-04N	11-7/8" x 20"	8.375	19.990	0.500
1ER-1223-05N	11-7/8" x 23-1/2"	8.375	23.490	0.625
1ER-1315-05N	13-3/8" x 15"	9.500	14.990	0.625
1ER-1318-05N	13-3/8" x 18"	9.500	17.990	0.625
1ER-1321-05N	13-3/8" x 20-3/4"	9.500	20.740	0.625
1ER-1326-05N	13-3/8" x 26"	9.500	25.990	0.625
1ER-1518-05N	14-7/8" x 17-7/8"	11.000	17.865	0.625
1ER-1524-05N	14-7/8" x 23-3/4"	11.000	23.740	0.625
1ER-1616-05N	15-7/8" x 16"	12.000	15.990	0.625
1ER-1620-05N	15-7/8" x 20"	12.000	19.990	0.625
1ER-1623-05N	15-7/8" x 23-1/2"	12.000	23.490	0.625
1ER-1626-05N	15-7/8" x 26"	12.000	25.990	0.625
1ER-1629-05N	15-7/8" x 29-1/2"	12.000	29.490	0.625
1ER-1818-05N	17-7/8" x 18"	14.000	17.990	0.625
1ER-1820-05N	17-7/8" x 20"	14.000	19.990	0.625
1ER-1823-05N	17-7/8" x 23-1/2"	14.000	23.490	0.625
1ER-1826-05N	17-7/8" x 26"	14.000	25.990	0.625
1ER-1924-05N	19-1/2" x 23-3/4"	15.625	23.740	0.625
1ER-1929-05N	19-1/2" x 29-1/2"	15.625	29.490	0.625
1ER-2424-05N	23-3/4" x 23-3/4"	19.875	23.740	0.625
1ER-2429-05N	23-3/4" x 29-1/2"	19.875	29.490	0.625
1ER-2435-05N	23-3/4" x 35-1/2"	19.875	35.490	0.625

Ejector Housings #1 Steel

- Off the shelf availability
- Three piece construction provides rigid support for plastic injection molds or die cast dies
- Machined clamp slots included
- Screw & Dowel holes included
- Rail Height finish ground +/- .001"



This Ejector housing is shipped fully assembled with dowel holes and screw holes included saving you time. The dowel and screw holes are accessible allowing you to add any custom changes you need. Purchasing this assembly will assist you in meeting mold build times and assist with any repair projects.

FRAME SIZE	#1 STEEL RAIL HEIGHT (inches)						
	2.5	3.0	3.5	4.0	4.5	5.0	6.0
7-7/8" x 7-7/8"	25-88-1	30-88-1	35-88-1	40-88-1	45-88-1	50-88-1	60-88-1
7-7/8" x 11-7/8"	25-812-1	30-812-1	35-812-1	40-812-1	45-812-1	50-812-1	60-812-1
9-7/8" x 8"	25-108-1	30-108-1	35-108-1	40-108-1	45-108-1	50-108-1	60-108-1
9-7/8" x 11-7/8"	25-1012-1	30-1012-1	35-1012-1	40-1012-1	45-1012-1	50-1012-1	60-1012-1
9-7/8" x 16"	25-1016-1	30-1016-1	35-1016-1	40-1016-1	45-1016-1	50-1016-1	60-1016-1
10-7/8" x 12"	25-1112-1	30-1112-1	35-1112-1	40-1112-1	45-1112-1	50-1112-1	60-1112-1
10-7/8" x 14"	25-1114-1	30-1114-1	35-1114-1	40-1114-1	45-1114-1	50-1114-1	60-1114-1
10-7/8" x 18"	25-1118-1	30-1118-1	35-1118-1	40-1118-1	45-1118-1	50-1118-1	60-1118-1
11-7/8" x 12"	25-1212-1	30-1212-1	35-1212-1	40-1212-1	45-1212-1	50-1212-1	60-1212-1
11-7/8" x 15"	25-1215-1	30-1215-1	35-1215-1	40-1215-1	45-1215-1	50-1215-1	60-1215-1
11-7/8" x 20"	25-1220-1	30-1220-1	35-1220-1	40-1220-1	45-1220-1	50-1220-1	60-1220-1
11-7/8" x 23-1/2"	25-1223-1	30-1223-1	35-1223-1	40-1223-1	45-1223-1	50-1223-1	60-1223-1
13-3/8" x 15"	25-1315-1	30-1315-1	35-1315-1	40-1315-1	45-1315-1	50-1315-1	60-1315-1
13-3/8" x 18"	25-1318-1	30-1318-1	35-1318-1	40-1318-1	45-1318-1	50-1318-1	60-1318-1
13-3/8" x 20-3/4"	25-1321-1	30-1321-1	35-1321-1	40-1321-1	45-1321-1	50-1321-1	60-1321-1
13-3/8" x 26"	25-1326-1	30-1326-1	35-1326-1	40-1326-1	45-1326-1	50-1326-1	60-1326-1
14-7/8" x 17-7/8"	25-1518-1	30-1518-1	35-1518-1	40-1518-1	45-1518-1	50-1518-1	60-1518-1
14-7/8" x 23-3/4"	25-1524-1	30-1524-1	35-1524-1	40-1524-1	45-1524-1	50-1524-1	60-1524-1
15-7/8" x 16"	25-1616-1	30-1616-1	35-1616-1	40-1616-1	45-1616-1	50-1616-1	60-1616-1
15-7/8" x 20"	25-1620-1	30-1620-1	35-1620-1	40-1620-1	45-1620-1	50-1620-1	60-1620-1
15-7/8" x 23-1/2"	25-1623-1	30-1623-1	35-1623-1	40-1623-1	45-1623-1	50-1623-1	60-1623-1
15-7/8" x 26"	25-1626-1	30-1626-1	35-1626-1	40-1626-1	45-1626-1	50-1626-1	60-1626-1
15-7/8" x 29-1/2"	25-1629-1	30-1629-1	35-1629-1	40-1629-1	45-1629-1	50-1629-1	60-1629-1
17-7/8" x 18"	25-1818-1	30-1818-1	35-1818-1	40-1818-1	45-1818-1	50-1818-1	60-1818-1
17-7/8" x 20"	25-1820-1	30-1820-1	35-1820-1	40-1820-1	45-1820-1	50-1820-1	60-1820-1
17-7/8" x 23-1/2"	25-1823-1	30-1823-1	35-1823-1	40-1823-1	45-1823-1	50-1823-1	60-1823-1
17-7/8" x 26"	25-1826-1	30-1826-1	35-1826-1	40-1826-1	45-1826-1	50-1826-1	60-1826-1
19-1/2" x 23-3/4"	25-1924-1	30-1924-1	35-1924-1	40-1924-1	45-1924-1	50-1924-1	60-1924-1
19-1/2" x 29-1/2"	25-1929-1	30-1929-1	35-1929-1	40-1929-1	45-1929-1	50-1929-1	60-1929-1
23-3/4" x 23-3/4"	25-2424-1	30-2424-1	35-2424-1	40-2424-1	45-2424-1	50-2424-1	60-2424-1
23-3/4" x 29-1/2"	25-2429-1	30-2429-1	35-2429-1	40-2429-1	45-2429-1	50-2429-1	60-2429-1
23-3/4" x 35-1/2"	25-2435-1	30-2435-1	35-2435-1	40-2435-1	45-2435-1	50-2435-1	60-2435-1

Blank #7 Stainless Steel Ejector & Ejector Retainer Plates

Ejector Plates



- Off the shelf availability
- Finish ground to +/- .001"
- Unit of measure in Inches

Finish Ground Machined Ejector Plates are interchangeable and available in #7 stainless steel. Ejector Plate thicknesses and frame sizes range across the stainless steel line of PCS standard mold bases.

CATALOG NO.	FRAME SIZE	WIDTH	LENGTH	THICKNESS
7EP-88-10N	7-7/8" x 7-7/8"	5.250	7.865	1.000
7EP-812-10N	7-7/8" x 11-7/8"	5.250	11.865	1.000
7EP-108-10N	9-7/8" x 8"	6.875	7.990	1.000
7EP-1012-10N	9-7/8" x 11-7/8"	6.875	11.865	1.000
7EP-1114-10N	10-7/8" x 14"	7.375	13.990	1.000
7EP-1212-11N	11-7/8" x 12"	8.375	11.990	1.125
7EP-1215-11N	11-7/8" x 15"	8.375	14.990	1.125

Ejector Retainer Plates



- Off the shelf availability
- Finish ground to +.015" -.000"
- Unit of measure in Inches

Finish Ground Machined Ejector Retainer Plates are interchangeable and available in #7 stainless steel. Ejector Retainer Plate thicknesses and frame sizes range across the stainless steel line of PCS standard mold bases.

CATALOG NO.	FRAME SIZE	WIDTH	LENGTH	THICKNESS
7ER-88-04N	7-7/8" x 7-7/8"	5.250	7.8650	0.500
7ER-812-04N	7-7/8" x 11-7/8"	5.250	11.865	0.500
7ER-108-04N	9-7/8" x 8"	6.875	7.990	0.500
7ER-1012-04N	9-7/8" x 11-7/8"	6.875	11.865	0.500
7ER-1114-04N	10-7/8" x 14"	7.375	13.990	0.500
7ER-1212-04N	11-7/8" x 12"	8.375	11.990	0.500
7ER-1215-04N	11-7/8" x 15"	8.375	14.990	0.500

Blank #7 Stainless Steel Rails

- Off the shelf availability
- Machined on all sides
- Rail Height ("T") finish ground +/- .001"
- Unit of measure in Inches
- Ships in pairs



CATALOG NO.	FRAME SIZE	WIDTH	LENGTH	RAIL HEIGHT
7RL-88-24N	7-7/8" x 7-7/8"	1-1/4"	7-7/8"	2-1/2"
7RL-88-30N	7-7/8" x 7-7/8"	1-1/4"	7-7/8"	3"
7RL-88-34N	7-7/8" x 7-7/8"	1-1/4"	7-7/8"	3-1/2"
7RL-88-40N	7-7/8" x 7-7/8"	1-1/4"	7-7/8"	4"
7RL-812-24N	7-7/8" x 11-7/8"	1-1/4"	11-7/8"	2-1/2"
7RL-812-30N	7-7/8" x 11-7/8"	1-1/4"	11-7/8"	3"
7RL-812-34N	7-7/8" x 11-7/8"	1-1/4"	11-7/8"	3-1/2"
7RL-812-40N	7-7/8" x 11-7/8"	1-1/4"	11-7/8"	4"
7RL-108-24N	9-7/8" x 8"	1-7/16"	8"	2-1/2"
7RL-108-30N	9-7/8" x 8"	1-7/16"	8"	3"
7RL-108-34N	9-7/8" x 8"	1-7/16"	8"	3-1/2"
7RL-108-40N	9-7/8" x 8"	1-7/16"	8"	4"
7RL-1012-24N	9-7/8" x 11-7/8"	1-7/16"	11-7/8"	2-1/2"
7RL-1012-30N	9-7/8" x 11-7/8"	1-7/16"	11-7/8"	3"
7RL-1012-34N	9-7/8" x 11-7/8"	1-7/16"	11-7/8"	3-1/2"
7RL-1012-40N	9-7/8" x 11-7/8"	1-7/16"	11-7/8"	4"
7RL-1114-24N	10-7/8" x 14"	1-11/16"	14"	2-1/2"
7RL-1114-30N	10-7/8" x 14"	1-11/16"	14"	3"
7RL-1114-34N	10-7/8" x 14"	1-11/16"	14"	3-1/2"
7RL-1114-40N	10-7/8" x 14"	1-11/16"	14"	4"
7RL-1212-24N	11-7/8" x 12"	1-11/16"	12"	2-1/2"
7RL-1212-30N	11-7/8" x 12"	1-11/16"	12"	3"
7RL-1212-34N	11-7/8" x 12"	1-11/16"	12"	3-1/2"
7RL-1212-40N	11-7/8" x 12"	1-11/16"	12"	4"
7RL-1215-24N	11-7/8" x 15"	1-11/16"	15"	2-1/2"
7RL-1215-30N	11-7/8" x 15"	1-11/16"	15"	3"
7RL-1215-34N	11-7/8" x 15"	1-11/16"	15"	3-1/2"
7RL-1215-40N	11-7/8" x 15"	1-11/16"	15"	4"

Insulator Sheets



Features:

- 128 standard sizes available
- Pre-cut to mold base size
- With or without center holes
- 1/4" & 1/2" thicknesses available
- Most orders ship same day
- Low thermal conductivity
- Reduces heat loss
- Oil & moisture resistant
- High heat compressive strength
- Asbestos free
- Custom sizes available
- Special machining available
- Made in the U.S.A.

PROPERTY	UNITS	METHOD	GRADE	HT
Max Service Temperature	°F			550
Thermal Conductivity	Btu/hr/ft ² /in/°F	C-177		1.9
Compressive Strength				
@ 75°F	PSI	D-695		49,000
@ 302°F	PSI	D-695		27,000
@ 395°F	PSI	D-695		18,000
@ 425°F	PSI	D-695		17,500
Compressive Modulus		D-695		1.8 x 10 ⁷
Flexural Strength	PSI	D-790		31,000
IZOD Impact Strength	Ft lb/in	D-256		8.0
Hardness	Rockwell M	D-785		98
Water Absorption	%	D-570		0.2
Thermal Expansion	10-5in/in/C	D-696		1.9
Flammability		UL-94*		V-0
Resistance to lubricants and hydraulic fluid				No Effect
Density	lbs/ft ³			123
Thickness Tolerance	in			±.004

White Board Grade HT is a high compressive strength, heat resistant composite material. Finished to a close thickness tolerance, it is ideal for insulation between the mold and press or within the mold itself.
PLEASE PROVIDE A 2D AUTO CAD DWG FILE FOR CUSTOM INSULATOR SHEETS.

1/4" Insulator Sheets

CATALOG NO.	WIDTH	LENGTH
Thickness 1/4" with Center Hole		
IN-88-2H	7.875	7.875
IN-812-2H	7.875	11.875
IN-108-2H	9.875	8.000
IN-1012-2H	9.875	11.875
IN-1016-2H	9.875	16.000
IN-1112-2H	10.875	12.000
IN-1114-2H	10.875	14.000
IN-1118-2H	10.875	18.000
IN-1212-2H	11.875	12.000
IN-1215-2H	11.875	15.000
IN-1220-2H	11.875	20.000
IN-1220-2H	11.875	23.500
IN-1315-2H	13.375	15.000
IN-1318-2H	13.375	18.000
IN-1321-2H	13.375	20.750
IN-1326-2H	13.375	26.000
IN-1518-2H	14.875	17.875
IN-1524-2H	14.875	23.750
IN-1616-2H	15.875	16.000
IN-1620-2H	15.875	20.000
IN-1623-2H	15.875	23.500
IN-1626-2H	15.875	26.000
IN-1629-2H	15.875	29.500
IN-1818-2H	17.875	18.000
IN-1820-2H	17.875	20.000
IN-1823-2H	17.875	23.500
IN-1826-2H	17.875	26.000
IN-1924-2H	19.500	23.750
IN-1929-2H	19.500	29.500
IN-2424-2H	23.750	23.750
IN-2429-2H	23.750	29.500
IN-2435-2H	23.75	35.500

CATALOG NO.	WIDTH	LENGTH
Thickness 1/4" Without Center Hole (Blank)		
IN-88-2	7.875	7.875
IN-812-2	7.875	11.875
IN-108-2	9.875	8.000
IN-1012-2	9.875	11.875
IN-1016-2	9.875	16.000
IN-1112-2	10.875	12.000
IN-1114-2	10.875	14.000
IN-1118-2	10.875	18.000
IN-1212-2	11.875	12.000
IN-1215-2	11.875	15.000
IN-1220-2	11.875	20.000
IN-1223-2	11.875	23.500
IN-1315-2	13.375	15.000
IN-1318-2	13.375	18.000
IN-1321-2	13.375	20.750
IN-1326-2	13.375	26.000
IN-1518-2	14.875	17.875
IN-1524-2	14.875	23.750
IN-1616-2	15.875	16.000
IN-1620-2	15.875	20.000
IN-1623-2	15.875	23.500
IN-1626-2	15.875	26.000
IN-1629-2	15.875	29.500
IN-1818-2	17.875	18.000
IN-1820-2	17.875	20.000
IN-1823-2	17.875	23.500
IN-1826-2	17.875	26.000
IN-1924-2	19.500	23.750
IN-1929-2	19.500	29.500
IN-2424-2	23.750	23.750
IN-2429-2	23.750	29.500
IN-2435-2	23.750	35.50

STANDARD SHEETS

IN-1836-2	18	36
IN-2436-2	24	36
IN-3636-2	36	36

TOLERANCES

Width	-.060 - .120
Length	-.060 - .120

Special sizes to a maximum of 48" x 96" available.

Phone: 800-521-0546 E-mail: sales@pcs-company.com Fax: 800-505-3299
www.pcs-company.com

1/2" Insulator Sheets

CATALOG NO.	WIDTH	LENGTH
Thickness 1/2" with Center Hole		
IN-88-4H	7.875	7.875
IN-812-4H	7.875	11.875
IN-108-4H	9.875	8.000
IN-1012-4H	9.875	11.875
IN-1016-4H	9.875	16.000
IN-1112-4H	10.875	12.000
IN-1114-4H	10.875	14.000
IN-1118-4H	10.875	18.000
IN-1212-4H	11.875	12.000
IN-1215-4H	11.875	15.000
IN-1220-4H	11.875	20.000
IN-1223-4H	11.875	23.500
IN-1315-4H	13.375	15.000
IN-1318-4H	13.375	18.000
IN-1321-4H	13.375	20.750
IN-1326-4H	13.375	26.000
IN-1518-4H	14.875	17.875
IN-1616-4H	15.875	16.000
IN-1524-4H	14.875	24.750
IN-1620-4H	15.875	20.000
IN-1623-4H	15.875	23.500
IN-1626-4H	15.875	26.000
IN-1629-4H	15.875	29.500
IN-1818-4H	17.875	18.000
IN-1820-4H	17.875	20.000
IN-1823-4H	17.875	23.500
IN-1826-4H	17.875	26.000
IN-1924-4H	19.500	23.750
IN-1929-4H	19.500	29.500
IN-2424-4H	23.750	23.750
IN-2429-4H	23.750	29.500
IN-2435-4H	23.750	35.500

CATALOG NO.	WIDTH	LENGTH
Thickness 1/2" Without Center Hole (Blank)		
IN-88-4	7.875	7.875
IN-812-4	7.875	11.875
IN-108-4	9.875	8.000
IN-1012-4	9.875	11.875
IN-1016-4	9.875	16.000
IN-1112-4	10.875	12.000
IN-1114-4	10.875	14.000
IN-1118-4	10.875	18.000
IN-1212-4	11.875	12.000
IN-1215-4	11.875	15.000
IN-1220-4	11.875	20.000
IN-1223-4	11.875	23.500
IN-1315-4	13.375	15.000
IN-1318-4	13.375	18.000
IN-1321-4	13.375	20.750
IN-1326-4	13.375	26.000
IN-1518-4	14.875	17.875
IN-1524-4	14.875	23.750
IN-1616-4	15.875	16.000
IN-1620-4	15.875	20.000
IN-1623-4	15.875	23.500
IN-1626-4	15.875	26.000
IN-1629-4	15.875	29.500
IN-1818-4	17.875	18.000
IN-1820-4	17.875	20.000
IN-1823-4	17.875	23.500
IN-1826-4	17.875	26.000
IN-1924-4	19.500	23.750
IN-1929-4	19.500	29.500
IN-2424-4	23.750	23.750
IN-2429-4	23.750	29.500
IN-2435-4	23.750	35.500

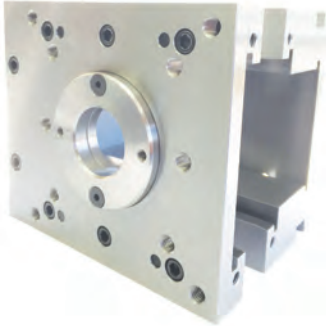
STANDARD SHEETS		
IN-1836-4	18	36
IN-2436-4	24	36
IN-3636-4	36	36

TOLERANCES	
Width	-.060 - .120
Length	-.060 - .120

Special sizes to a maximum of 48" x 96" available.

F.I.T.S.® Product Line

Maximize production changeovers and reduce downtime with a more cost effective approach to injection molding.



U-Frame



Solid Insert



Laminated Insert



T-Style Insert

F.I.T.S.® (*Fast Interchangeable Tooling System*) replaces the need for standard mold bases by utilizing a frame and interchangeable inserts for short production runs, sampling and prototyping.

Features and Benefits:

- Inserts for F.I.T.S. U-Style Frames
- A & B Plates #3 Steel - All other #2 Steel
- Compatible with M.U.D.® style U-Frames
- All plate outer edges have .03 chamfer
- F.I.T.S. return pin (NP25-6) available
- Guided Ejection included as standard
- Add "G" to item number to omit guided ejection
- Special F.I.T.S. machining available upon request
- Plus Style F.I.T.S. guided ejection cannot be omitted

What is inside a standard PCS F.I.T.S.® insert?:

DESCRIPTION	SOLID QTY	SOLID PLUS QTY	DESCRIPTION	LAMINATED QTY	LAMINATED PLUS QTY	DESCRIPTION	T-STYLE QTY	T-STYLE PLUS QTY
A Support Plate	N/A	N/A	A Support Plate	1	1	A Support Plate	1	1
A Plate	1	1	A Plate	1	1	A Plate	1	1
B Plate	1	1	B Plate	1	1	B Plate	1	1
B Support Plate	N/A	N/A	B Support Plate	1	1	B Support Plate	1	1
Ejector Plate	1	1	Ejector Plate	1	1	Ejector Plate	1	1
Retainer Plate	1	1	Retainer Plate	1	1	Retainer Plate	1	1
Guided Ej Pins	2	2	Guided Ej Pins	2	2	Guided Ej Pins	2	2
Guided Ej Bushings	2	2	Guided Ej Bushings	2	2	Guided Ej Bushings	2	2
Tube Dowels	N/A	N/A	Tube Dowels	4	4	Tube Dowels	4	4
Assembly Screws	4	4	Assembly Screws	8	8	Assembly Screws	8	8
Leader Pins	2	4	Leader Pins	2	4	Leader Pins	2	4
Bushings	2	4	Bushings	2	4	Bushings	2	4
Return Pins	0	4	Return Pins	0	4	Return Pins	0	4
Snap Rings	4	8	Snap Rings	N/A	N/A	Snap Rings	4	8

PCS F.I.T.S.® into your production

M.U.D. is a registered trademark of DME

Phone: 800-521-0546 E-mail: sales@pcs-company.com Fax: 800-505-3299
www.pcs-company.com

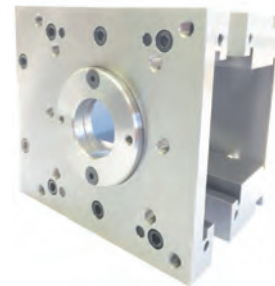
F.I.T.S. Frames & Inserts

SERIES	SOLID
05/05	FTS-0505-221G
	FTS-0505-222G
08/09	FTS-0809-221*
	FTS-0809-222*
	FTS-0809-223*
	FTS-0809-224*
	FTS-0809-225*
	FTS-0809-226*
	FTS-0809-227*
	FTS-0809-228*
	FTS-0809-229*
	FTS-0809-230*
	08/10
FTS-0810-222	
FTS-0810-223	
FTS-0810-224	
FTS-0810-225	
FTS-0810-226	
FTS-0810-227	
84/90	FTS-8490-221
	FTS-8490-222
	FTS-8490-223
	FTS-8490-224
	FTS-8490-225
	FTS-8490-226
	FTS-8490-227
	FTS-8490-228
	FTS-8490-229
	FTS-8490-230
10/12	FTS-1012-224
	FTS-1012-225
	FTS-1012-226
	FTS-1012-227
	FTS-1012-228
	FTS-1012-228
	FTS-1012-230
10/14	FTS-1014-224
	FTS-1014-225
	FTS-1014-226
	FTS-1014-227
	FTS-1014-228
	FTS-1014-229
	FTS-1014-230

SERIES	LAMINATED
08/09	FTL-0809-284*
	FTL-0809-285*
	FTL-0809-286*
	FTL-0809-287*
	FTL-0809-288*
	FTL-0809-289*
	FTL-0809-290*
08/10	FTL-0810-284
	FTL-0810-285
	FTL-0810-286
	FTL-0810-287
	FTL-0810-288
	FTL-0810-289
	FTL-0810-290
84/90	FTL-8490-281
	FTL-8490-282
	FTL-8490-283
	FTL-8490-284
	FTL-8490-285
	FTL-8490-286
	FTL-8490-287
10/12	FTL-1012-285
	FTL-1012-286
	FTL-1012-288
	FTL-1012-289
10/14	FTL-1014-285
	FTL-1014-286
	FTL-1014-288
	FTL-1014-289

SERIES	T-STYLE
08/09	FTT-0809-201*
	FTT-0809-202*
	FTT-0809-203*
	FTT-0809-204*
	FTT-0809-205*
	FTT-0809-206*
08/10	FTT-0810-201
	FTT-0810-202
	FTT-0810-203
	FTT-0810-204
	FTT-0810-205
	FTT-0810-206
84/90	FTT-8490-204
	FTT-8490-206
	FTT-8490-207

* - Plus style F.I.T.S. include
4 Leader Pins and 4 Return Pins
(guided ejection cannot be omitted)

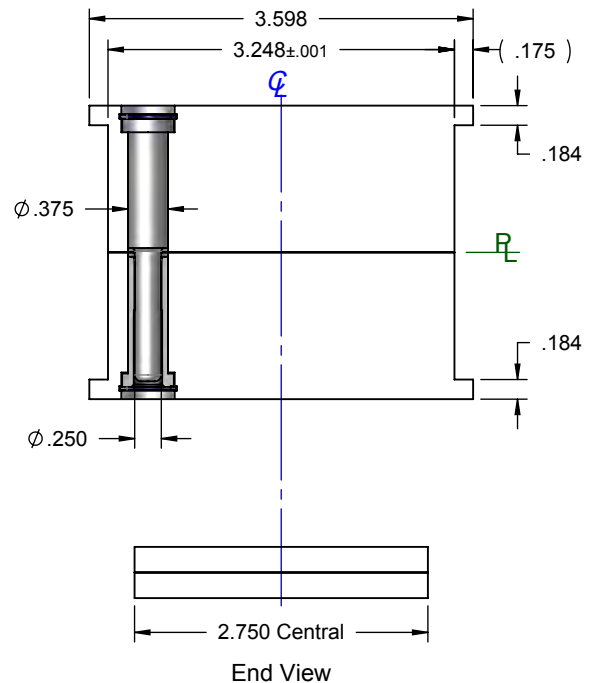
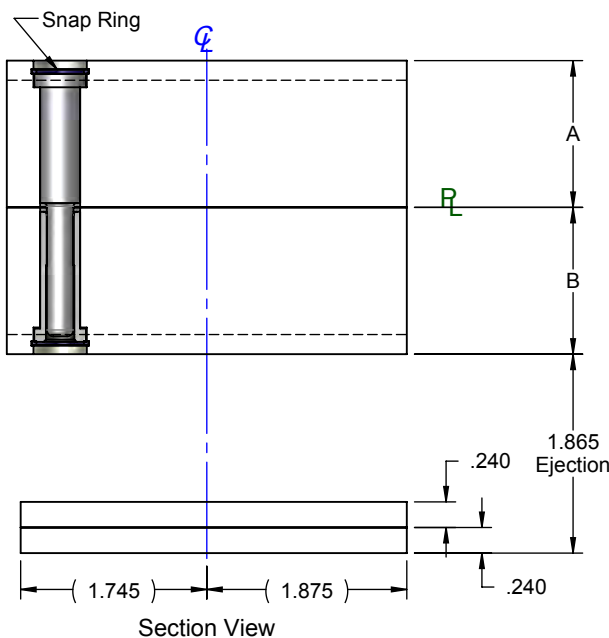
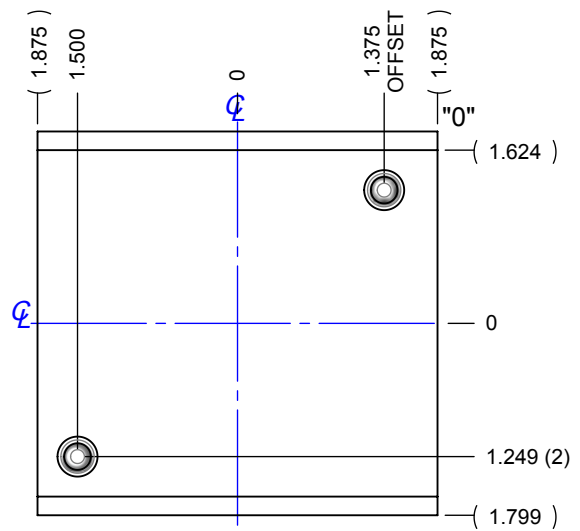
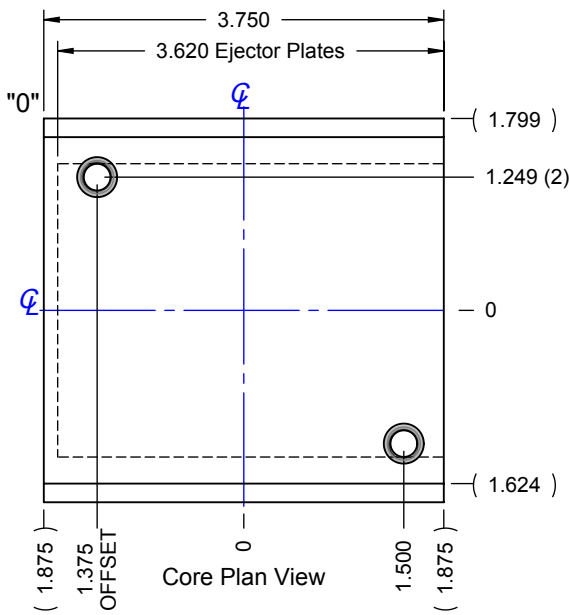


F.I.T.S. U STYLE FRAMES	
SERIES	ITEM NUMBER
05/05	0505-UF-321
08/09	0809-UF-321
08/10	0810-UF-321
84/90	8490-UF-321
10/12	1012-UF-321
10/14	1014-UF-321

F.I.T.S. 05/05 Series SOLID Style Inserts

F.I.T.S. INSERT ASSEMBLY		
CATALOG NO.	PLATE THICKNESS +.002/- .000	
	A	B
FTS-0505-221G	1.376	1.376
FTS-0505-222G	1.876	1.876

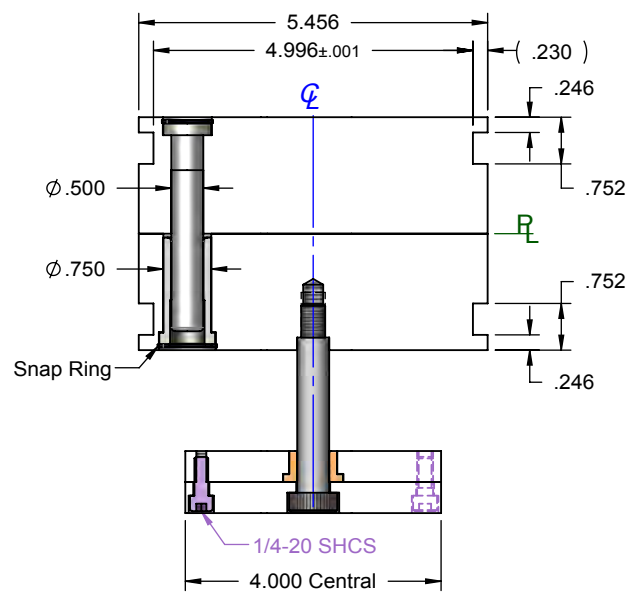
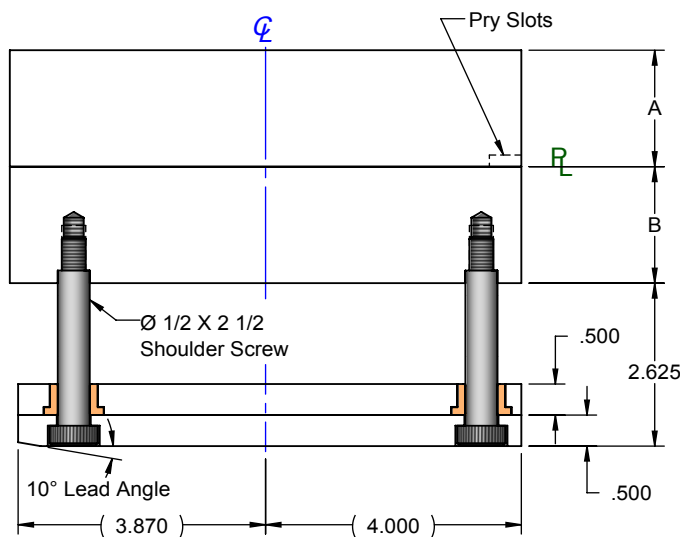
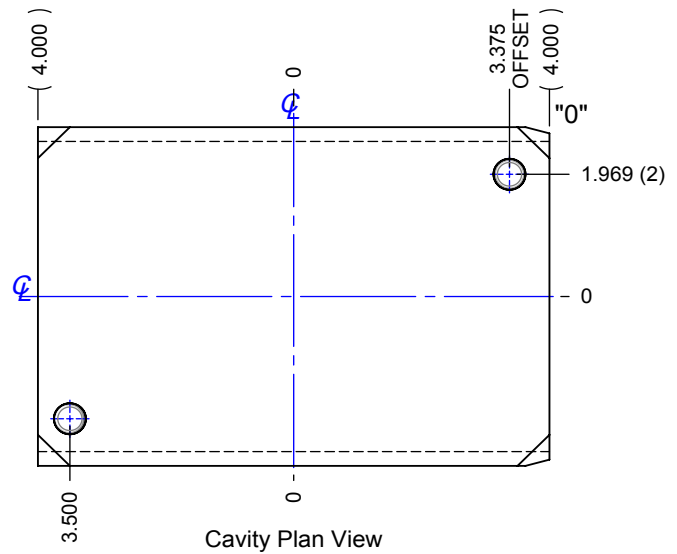
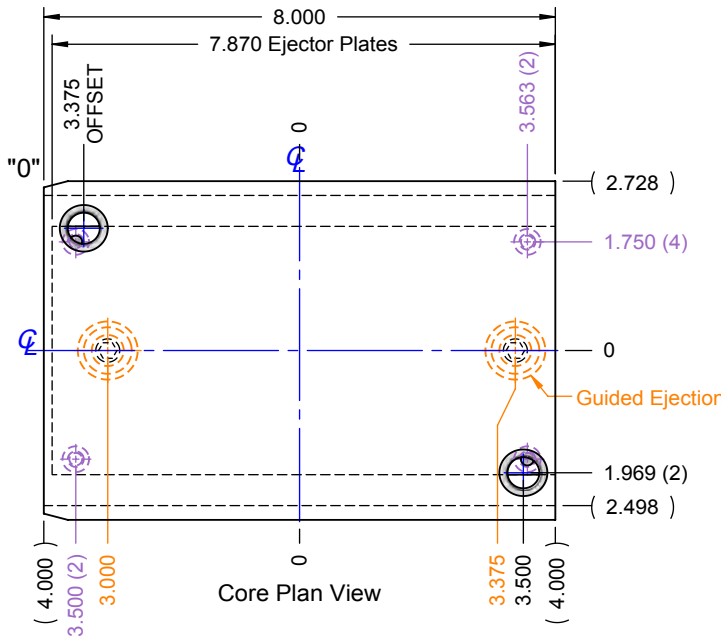
F.I.T.S. REPLACEMENT PLATES		
PLATE	PLATE THICKNESS	CATALOG NO.
A	1.376	3AS-0505-13
	1.876	3AS-0505-17
B	1.376	3BS-0505-13G
	1.876	3BS-0505-17G
RETAINER	0.240	2ER-0505-02N
EJECTOR	0.240	2EP-0505-02N



F.I.T.S. 08/09 Series SOLID Style Inserts

F.I.T.S. INSERT ASSEMBLY		
CATALOG NO.	PLATE THICKNESS +.002/-.000	
	A	B
FTS-0809-221	1.376	1.376
FTS-0809-222	1.376	1.876
FTS-0809-223	1.876	1.376
FTS-0809-224	1.876	1.876
FTS-0809-225	1.876	2.376
FTS-0809-226	2.376	1.876
FTS-0809-227	2.376	2.376
FTS-0809-228	2.376	2.876
FTS-0809-229	2.876	2.376
FTS-0809-230	2.876	2.876

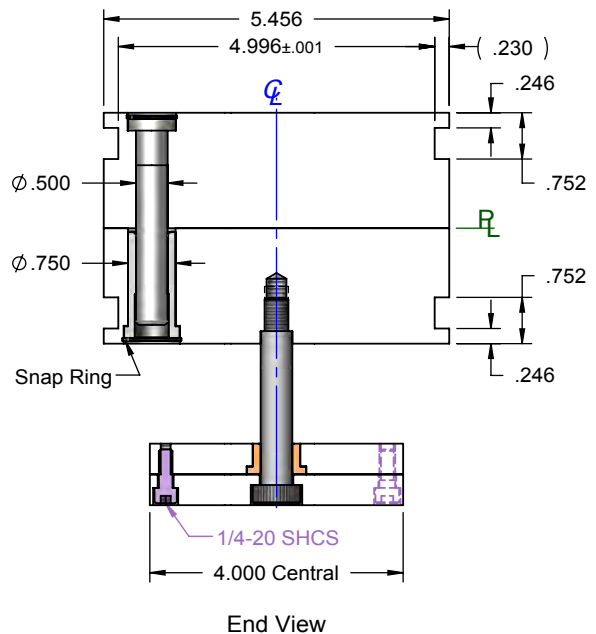
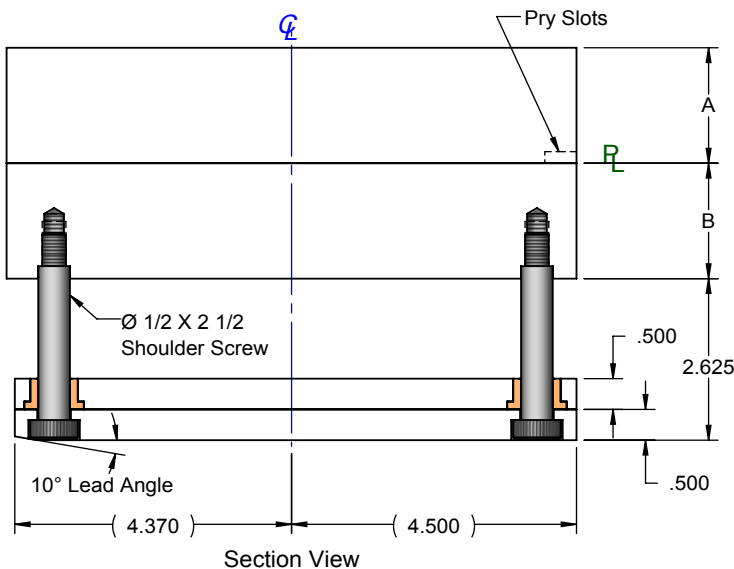
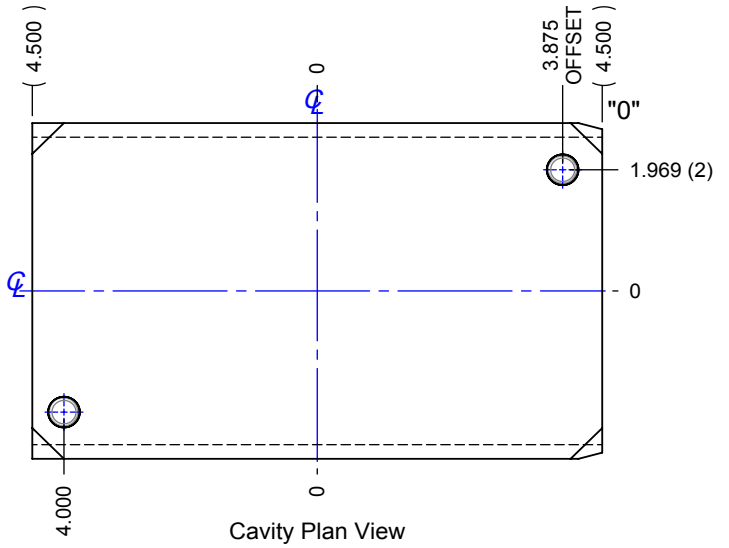
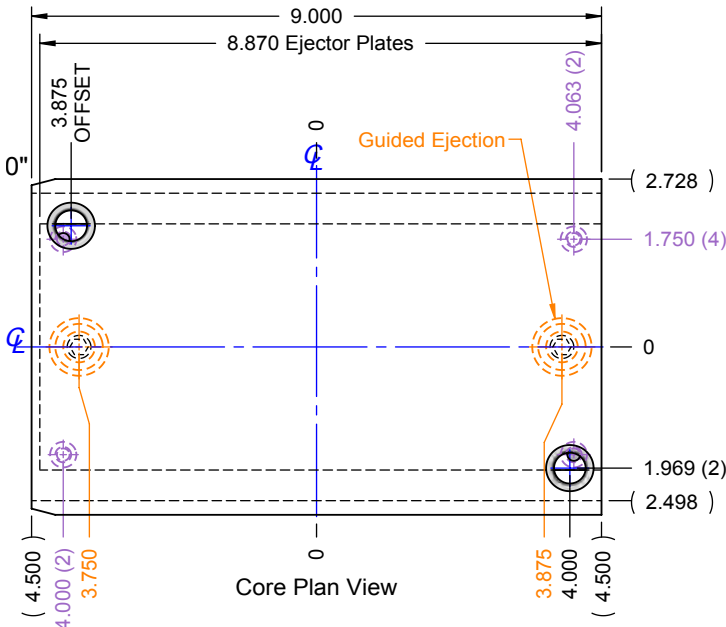
F.I.T.S. REPLACEMENT PLATES		
PLATE	PLATE THICKNESS	CATALOG NO.
A	1.376	3AS-0809-13
	1.876	3AS-0809-17
	2.376	3AS-0809-23
	2.876	3AS-0809-27
B	1.376	3BS-0809-13
	1.876	3BS-0809-17
	2.376	3BS-0809-23
	2.876	3BS-0809-27
RETAINER	0.500	2ER-0809-04
EJECTOR	0.500	2EP-0809-04



F.I.T.S. 08/10 Series SOLID Style Inserts

F.I.T.S. INSERT ASSEMBLY		
CATALOG NO.	PLATE THICKNESS +.002/-.000	
	A	B
FTS-0810-221	1.376	1.376
FTS-0810-222	1.376	1.876
FTS-0810-223	1.876	1.376
FTS-0810-224	1.876	1.876
FTS-0810-225	1.876	2.376
FTS-0810-226	2.376	1.876
FTS-0810-227	2.376	2.376

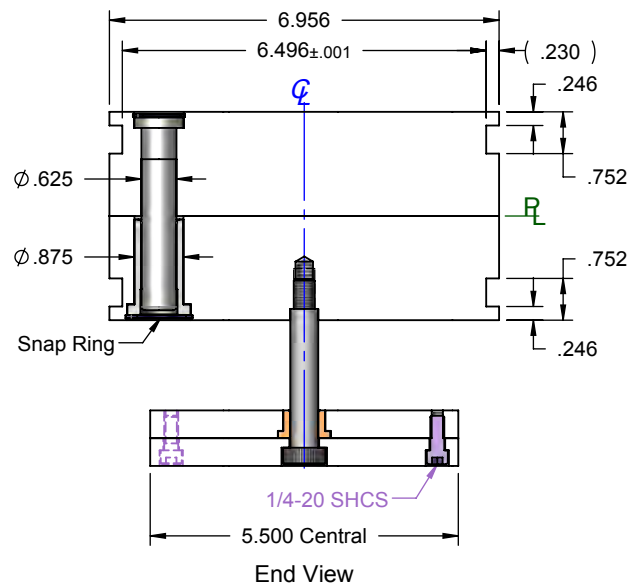
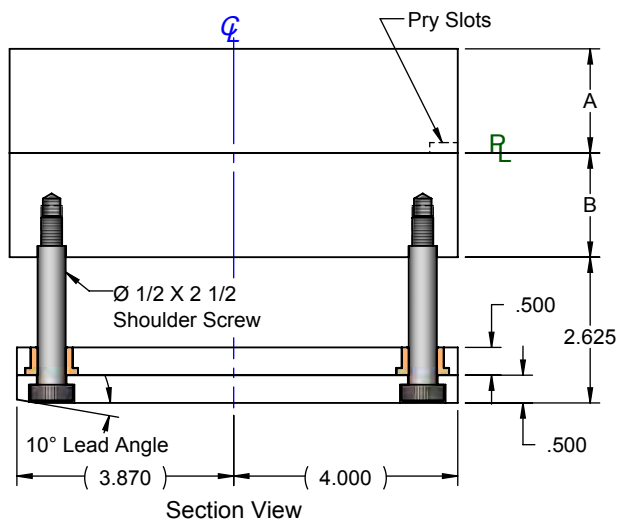
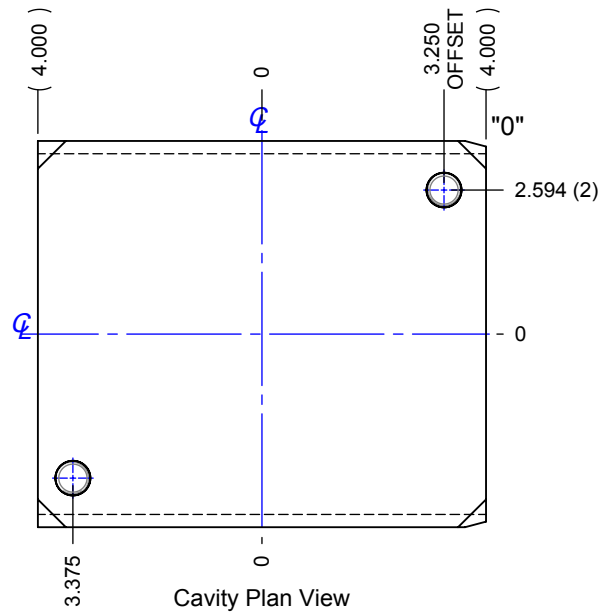
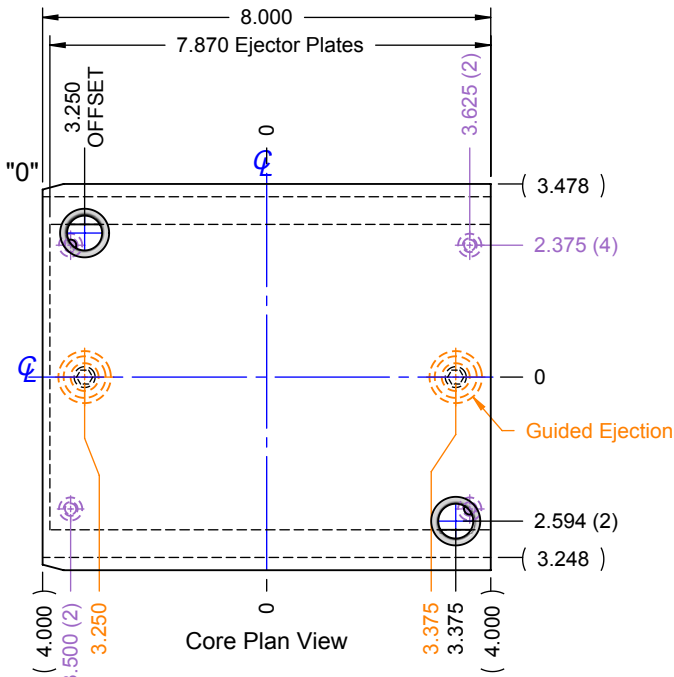
F.I.T.S. REPLACEMENT PLATES		
PLATE	PLATE THICKNESS	CATALOG NO.
A	1.376	3AS-0810-13
	1.876	3AS-0810-17
	2.376	3AS-0810-23
B	1.376	3BS-0810-13
	1.876	3BS-0810-17
	2.376	3BS-0810-23
RETAINER	0.500	2ER-0810-04
EJECTOR	0.500	2EP-0810-04



F.I.T.S. 84/90 Series SOLID Style Inserts

F.I.T.S. INSERT ASSEMBLY		
CATALOG NO.	PLATE THICKNESS +.002/-0.00	
	A	B
FTS-8490-221	1.376	1.376
FTS-8490-222	1.376	1.876
FTS-8490-223	1.876	1.376
FTS-8490-224	1.876	1.876
FTS-8490-225	1.876	2.376
FTS-8490-226	2.376	1.876
FTS-8490-227	2.376	2.376
FTS-8490-228	2.376	2.876
FTS-8490-229	2.876	2.376
FTS-8490-230	2.876	2.876

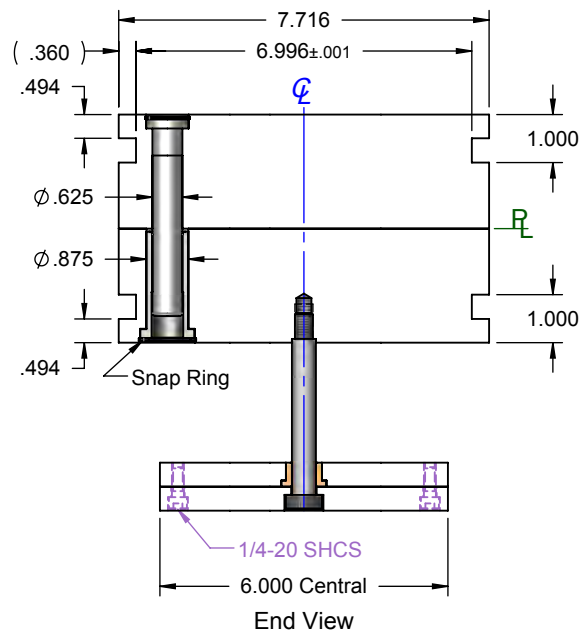
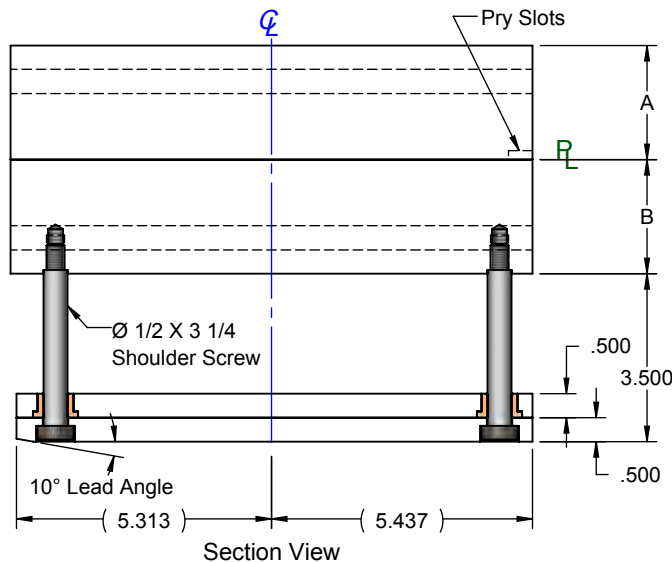
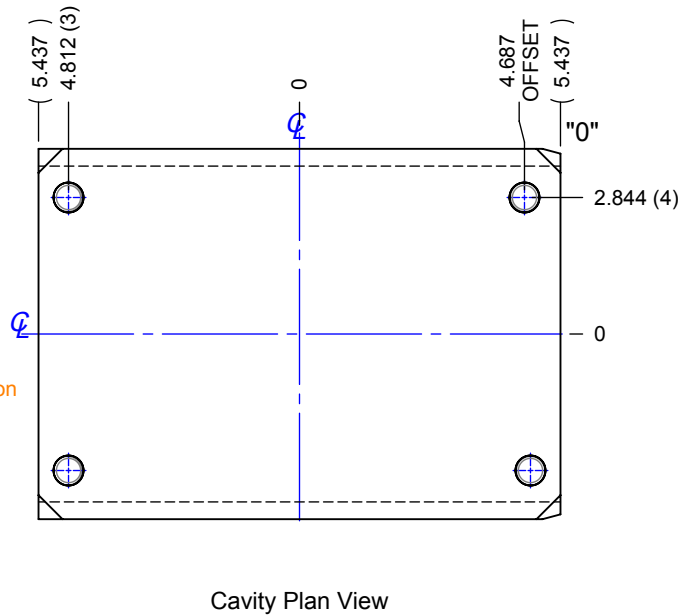
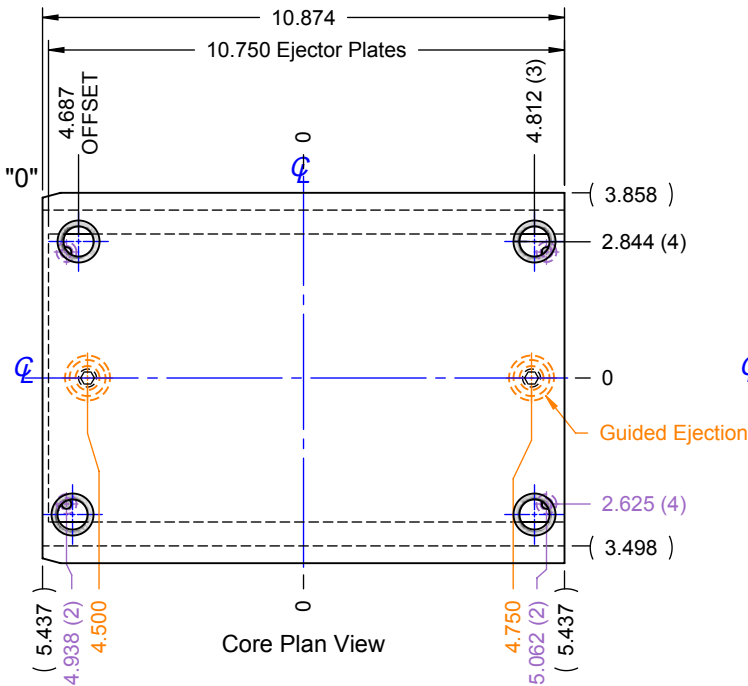
F.I.T.S. REPLACEMENT PLATES		
PLATE	PLATE THICKNESS	CATALOG NO.
A	1.376	3AS-8490-13
	1.876	3AS-8490-17
	2.376	3AS-8490-23
	2.876	3AS-8490-27
B	1.376	3BS-8490-13
	1.876	3BS-8490-17
	2.376	3BS-8490-23
	2.876	3BS-8490-27
RETAINER	0.500	2ER-8490-04
EJECTOR	0.500	2EP-8490-04



F.I.T.S. 10/12 Series SOLID Style Inserts

F.I.T.S. INSERT ASSEMBLY		
CATALOG NO.	PLATE THICKNESS +.002/-0.00	
	A	B
FTS-1012-224	1.876	1.876
FTS-1012-225	1.876	2.376
FTS-1012-226	2.376	1.876
FTS-1012-227	2.376	2.376
FTS-1012-228	2.376	2.876
FTS-1012-229	2.876	2.376
FTS-1012-230	2.876	2.876

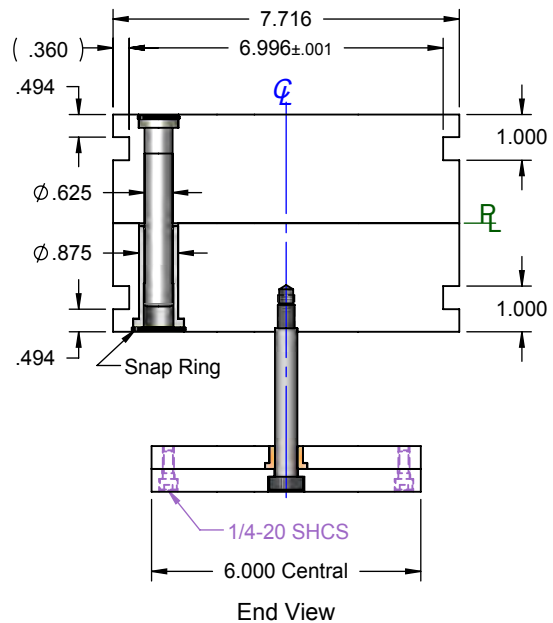
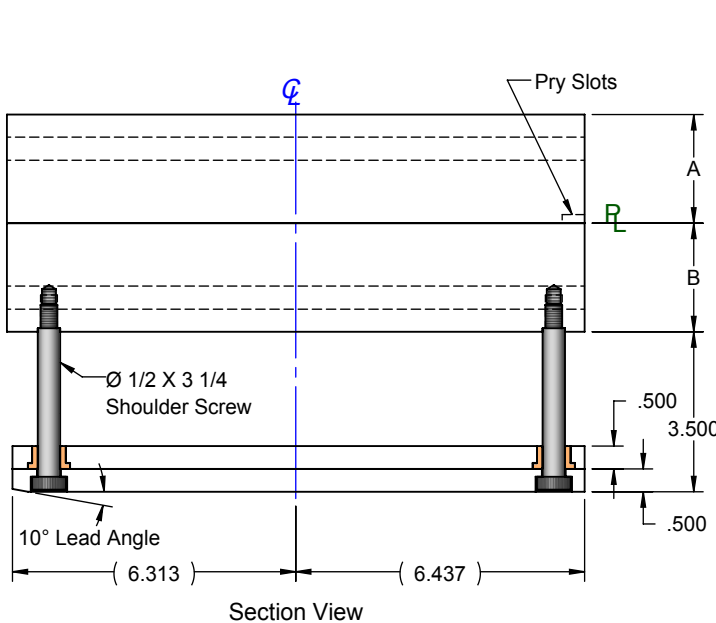
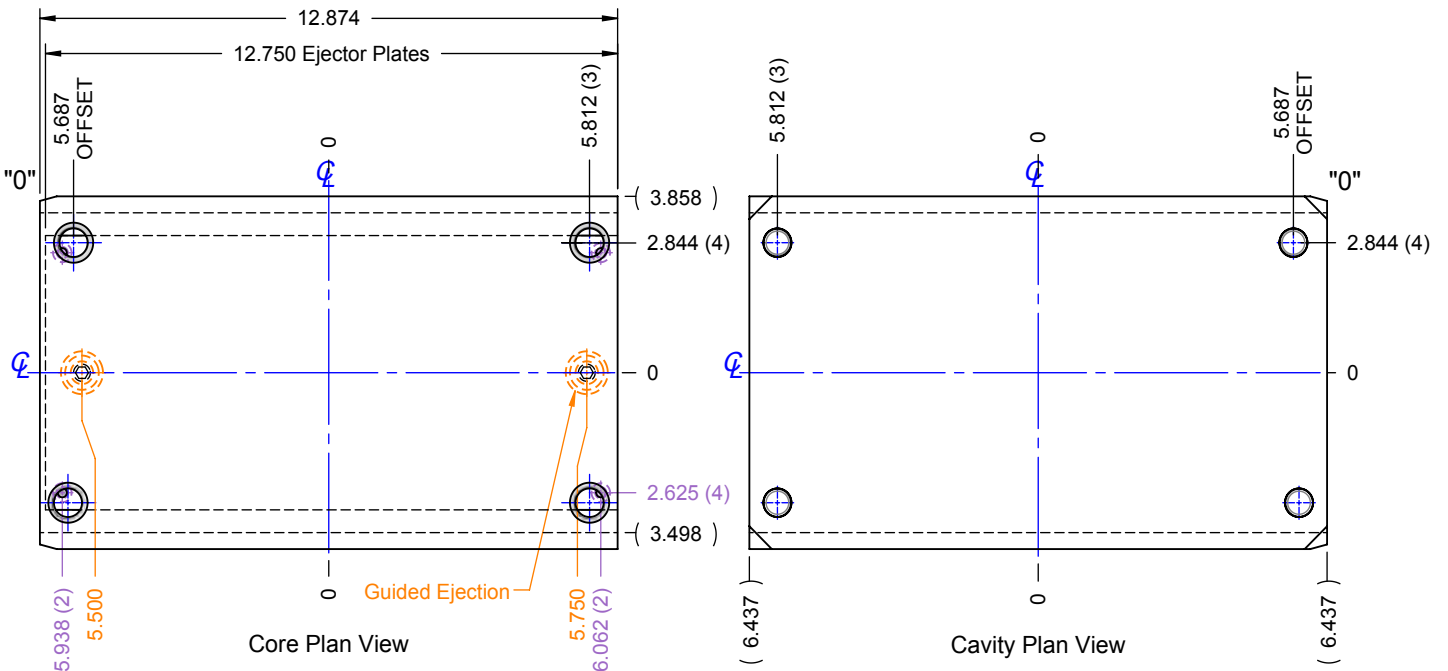
F.I.T.S. REPLACEMENT PLATES		
PLATE	PLATE THICKNESS	CATALOG NO.
A	1.876	3AS-1012-17
	2.376	3AS-1012-23
	2.876	3AS-1012-27
B	1.876	3BS-1012-17
	2.376	3BS-1012-23
	2.876	3BS-1012-27
RETAINER	0.500	2ER-1012-04
EJECTOR	0.500	2EP-1012-04



F.I.T.S. 10/14 Series SOLID Style Inserts

F.I.T.S. INSERT ASSEMBLY		
CATALOG NO.	PLATE THICKNESS +.002/-.000	
	A	B
FTS-1014-224	1.876	1.876
FTS-1014-225	1.876	2.376
FTS-1014-226	2.376	1.876
FTS-1014-227	2.376	2.376
FTS-1014-228	2.376	2.876
FTS-1014-229	2.876	2.376
FTS-1014-230	2.876	2.876

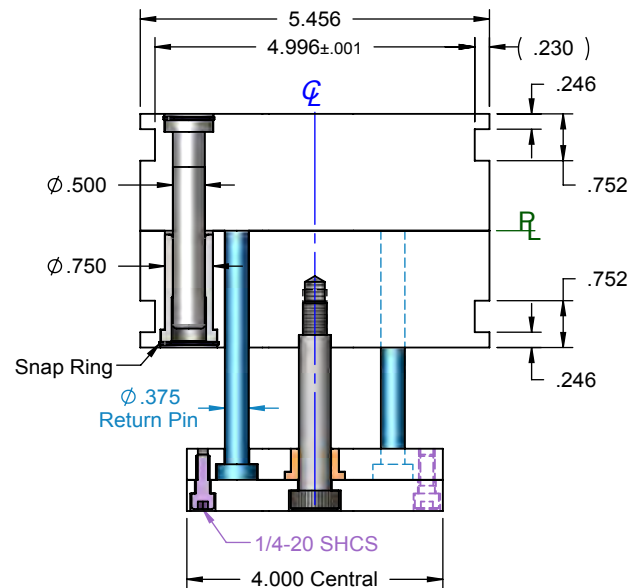
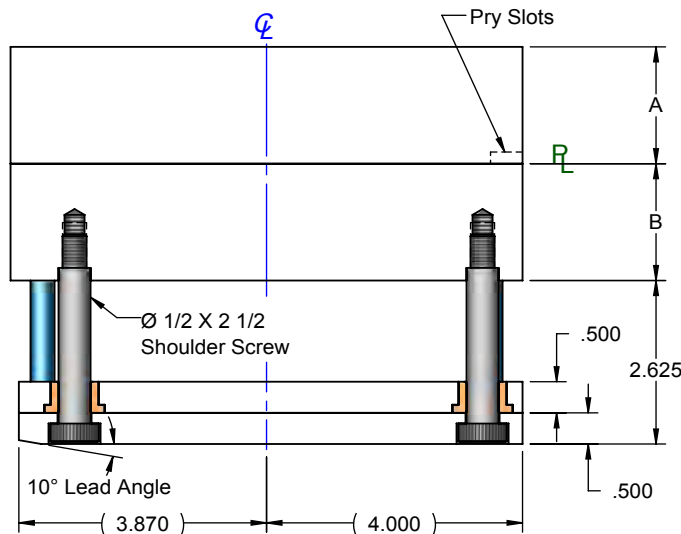
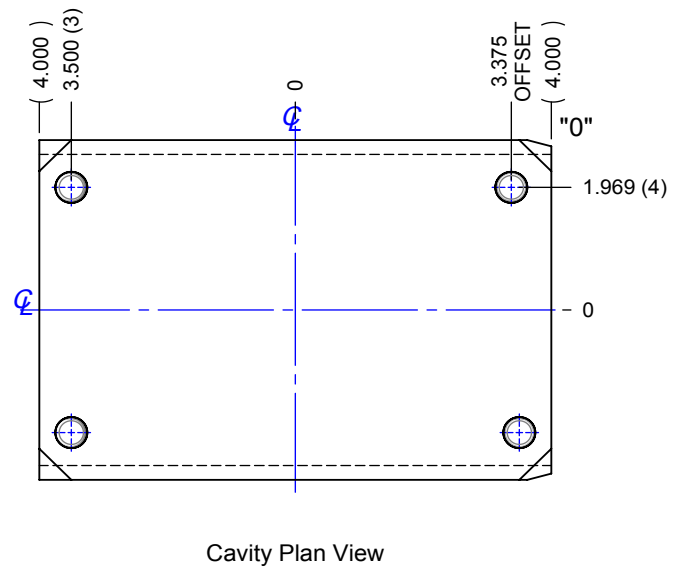
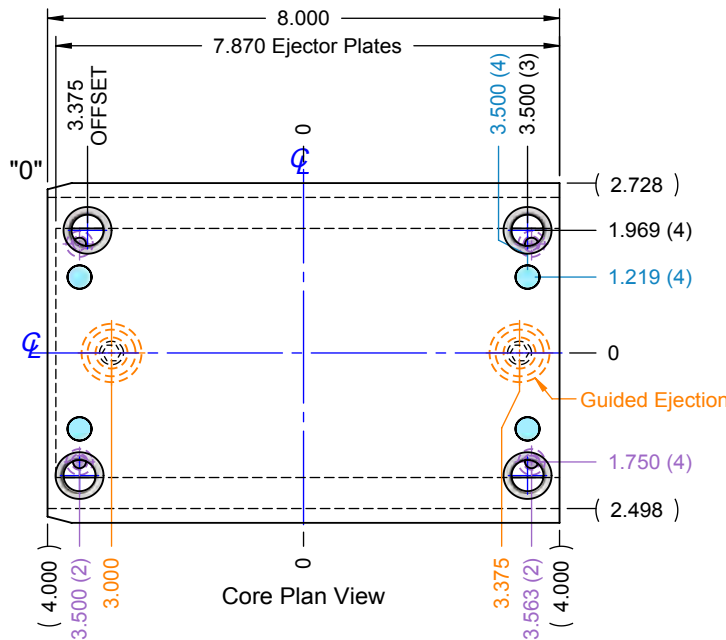
F.I.T.S. REPLACEMENT PLATES		
PLATE	PLATE THICKNESS	CATALOG NO.
A	1.876	3AS-1014-17
	2.376	3AS-1014-23
	2.876	3AS-1014-27
B	1.876	3BS-1014-17
	2.376	3BS-1014-23
	2.876	3BS-1014-27
RETAINER	0.500	2ER-1014-04
EJECTOR	0.500	2EP-1014-04



F.I.T.S. 08/09 Series SOLID PLUS Style Inserts

F.I.T.S. INSERT ASSEMBLY		
CATALOG NO.	PLATE THICKNESS +.002/-.000	
	A	B
FTS-0809-221-X	1.376	1.376
FTS-0809-222-X	1.376	1.876
FTS-0809-223-X	1.876	1.376
FTS-0809-224-X	1.876	1.876
FTS-0809-225-X	1.876	2.376
FTS-0809-226-X	2.376	1.876
FTS-0809-227-X	2.376	2.376
FTS-0809-228-X	2.376	2.876
FTS-0809-229-X	2.876	2.376
FTS-0809-230-X	2.876	2.876

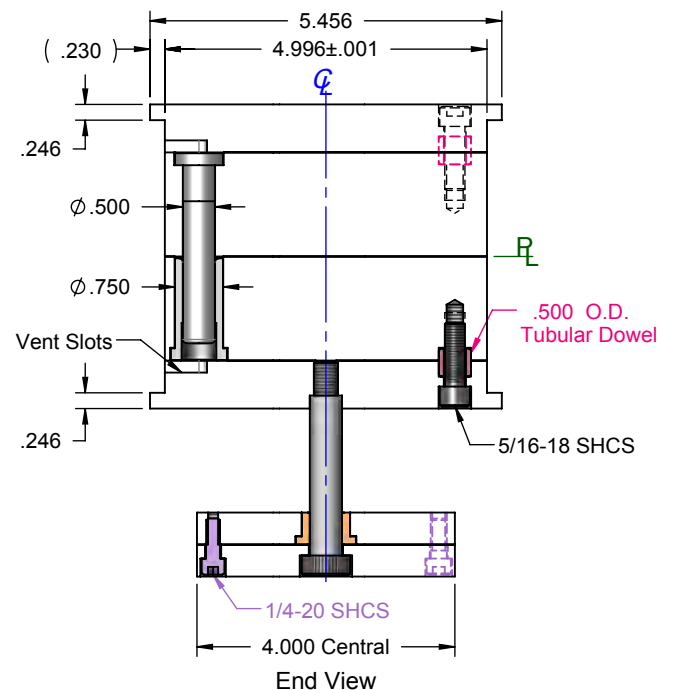
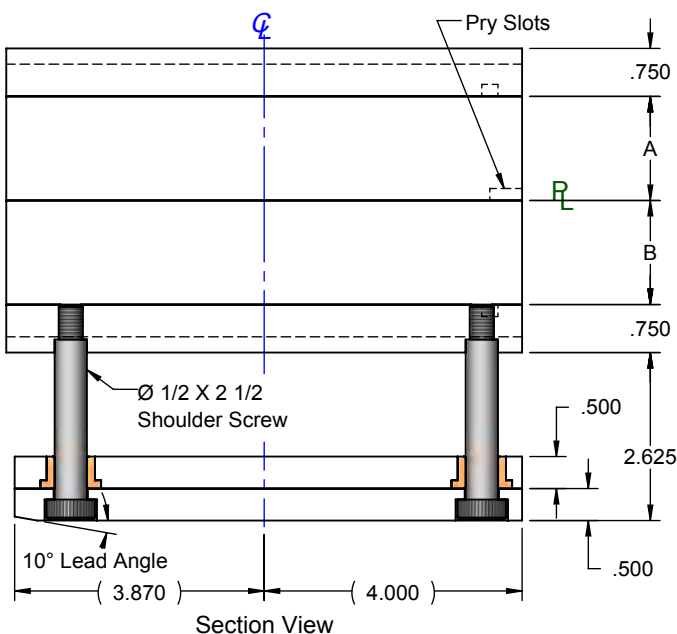
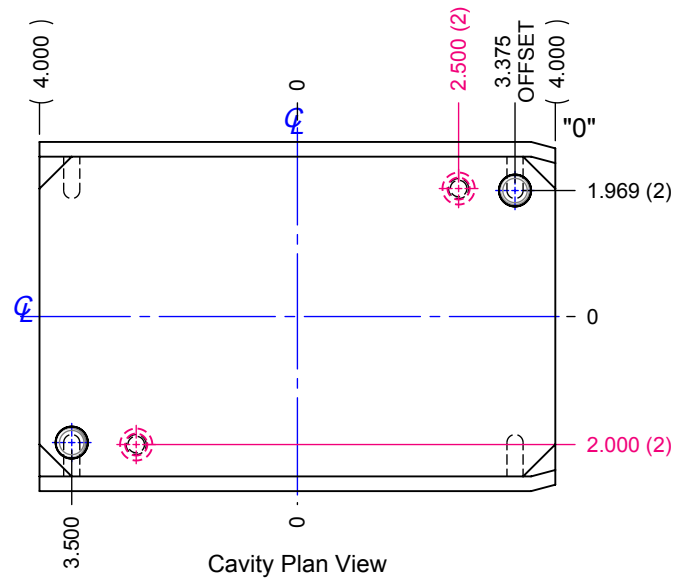
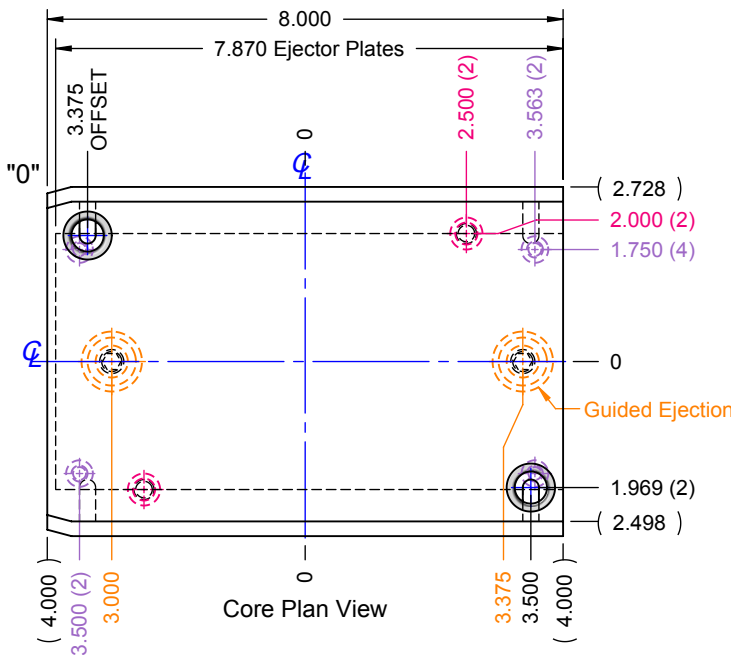
F.I.T.S. REPLACEMENT PLATES		
PLATE	PLATE THICKNESS	CATALOG NO.
A	1.376	3AS-0809-13X
	1.876	3AS-0809-17X
	2.376	3AS-0809-23X
	2.876	3AS-0809-27X
B	1.376	3BS-0809-13X
	1.876	3BS-0809-17X
	2.376	3BS-0809-23X
	2.876	3BS-0809-27X
RETAINER	0.500	2ER-0809-04X
EJECTOR	0.500	2EP-0809-04



F.I.T.S. 08/09 Series LAMINATED Style Inserts

F.I.T.S. INSERT ASSEMBLY		
CATALOG NO.	PLATE THICKNESS +.002/-.000	
	A	B
FTL-0809-284	1.126	1.126
FTL-0809-285	1.126	1.626
FTL-0809-286	1.626	1.126
FTL-0809-287	1.626	1.626
FTL-0809-288	1.626	2.126
FTL-0809-289	2.126	1.626
FTL-0809-290	2.126	2.126

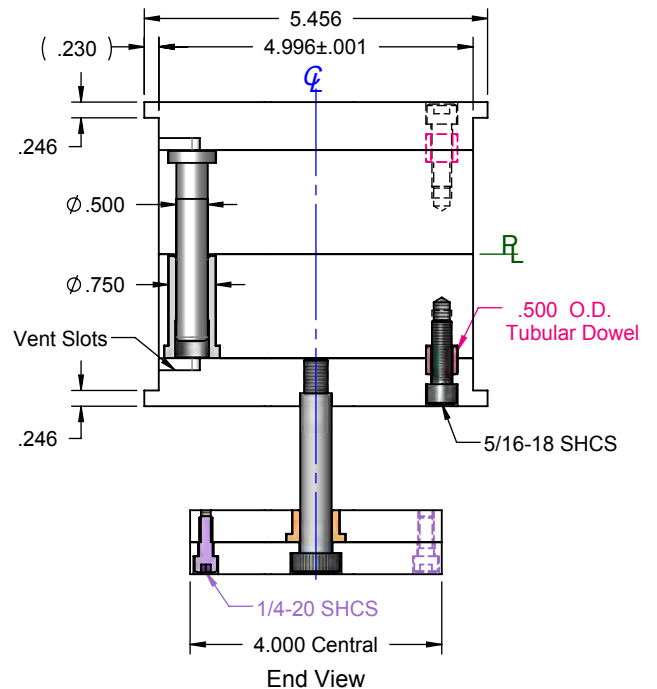
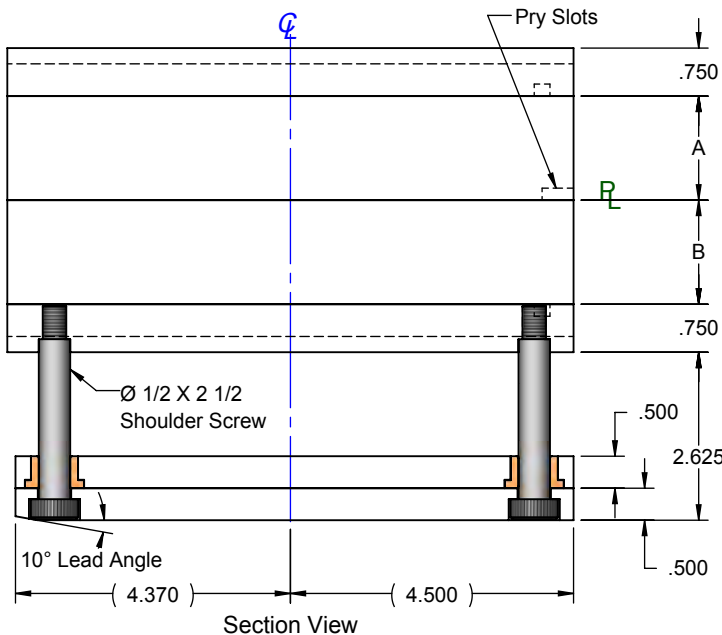
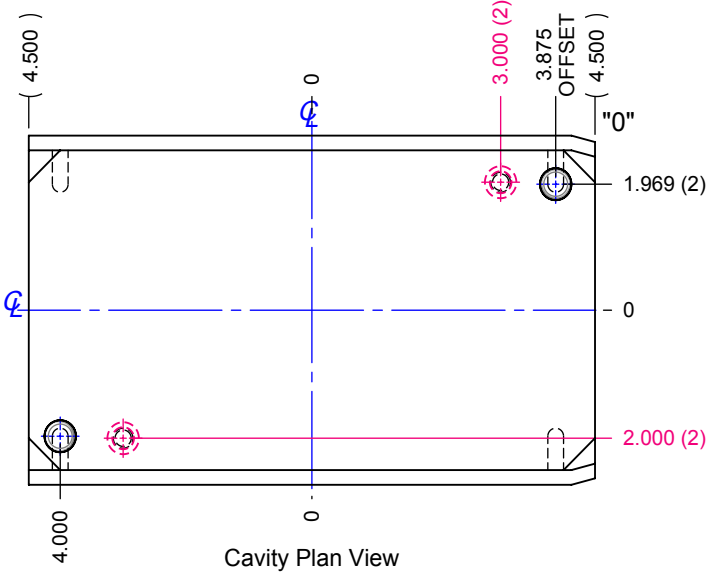
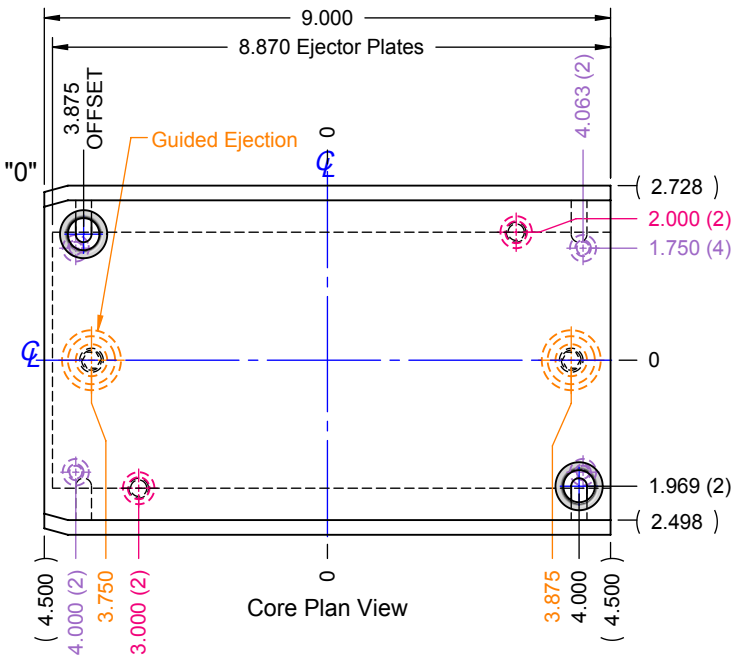
F.I.T.S. REPLACEMENT PLATES		
PLATE	PLATE THICKNESS	CATALOG NO.
SUPPORT A	0.750	2SP-0809-06G
A	1.126	3AL-0809-11
	1.626	3AL-0809-15
	2.126	3AL-0809-21
B	1.126	3BL-0809-11
	1.626	3BL-0809-15
	2.126	3BL-0809-21
SUPPORT B	0.750	2SP-0809-06
RETAINER	0.500	2ER-0809-04
EJECTOR	0.500	2EP-0809-04



F.I.T.S. 08/10 Series LAMINATED Style Inserts

F.I.T.S. INSERT ASSEMBLY		
CATALOG NO.	PLATE THICKNESS +.002/-.000	
	A	B
FTL-0810-284	1.126	1.126
FTL-0810-285	1.126	1.626
FTL-0810-286	1.626	1.126
FTL-0810-287	1.626	1.626
FTL-0810-288	1.626	2.126
FTL-0810-289	2.126	1.626
FTL-0810-290	2.126	2.126

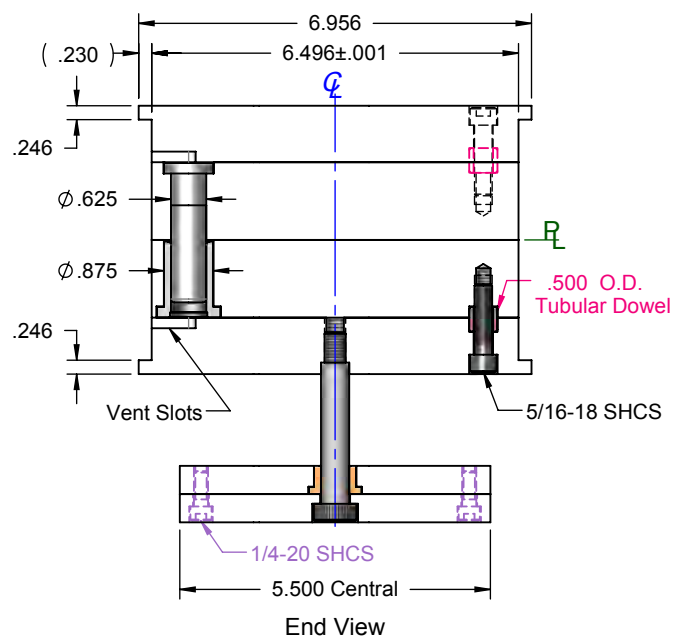
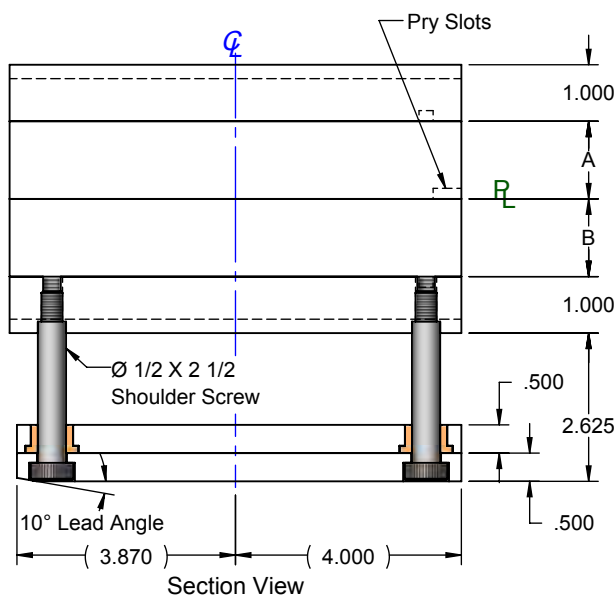
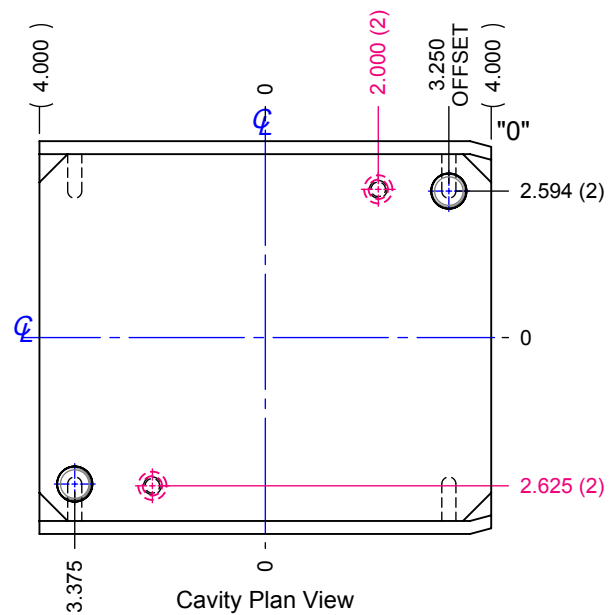
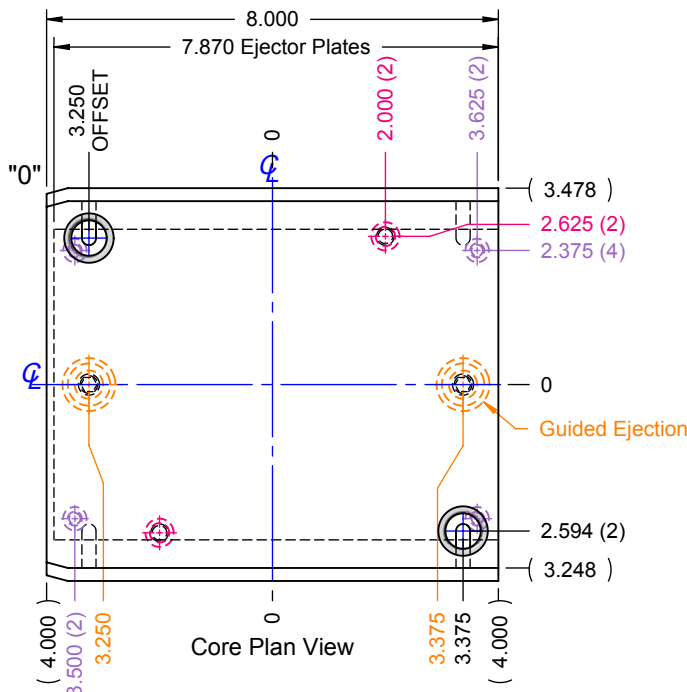
F.I.T.S. REPLACEMENT PLATES		
PLATE	PLATE THICKNESS	CATALOG NO.
SUPPORT A	0.750	2SP-0810-06G
A	1.126	3AL-0810-11
	1.626	3AL-0810-15
	2.126	3AL-0810-21
B	1.126	3BL-0810-11
	1.626	3BL-0810-15
	2.126	3BL-0810-21
SUPPORT B	0.750	2SP-0810-06
RETAINER	0.500	2ER-0810-04
EJECTOR	0.500	2EP-0810-04



F.I.T.S. 84/90 Series LAMINATED Style Inserts

F.I.T.S. INSERT ASSEMBLY		
CATALOG NO.	PLATE THICKNESS +.002/-.000	
	A	B
FTL-8490-281	0.876	0.876
FTL-8490-282	0.876	1.376
FTL-8490-283	1.376	0.876
FTL-8490-284	1.376	1.376
FTL-8490-285	1.376	1.876
FTL-8490-286	1.876	1.376
FTL-8490-287	1.876	1.876

F.I.T.S. REPLACEMENT PLATES		
PLATE	PLATE THICKNESS	CATALOG NO.
SUPPORT A	1.000	2SP-8490-10G
A	0.876	3AL-8490-07
	1.376	3AL-8490-13
	1.876	3AL-8490-17
B	0.876	3BL-8490-07
	1.376	3BL-8490-13
	1.876	3BL-8490-17
SUPPORT B	1.000	2SP-8490-10
RETAINER	0.500	2ER-8490-04
EJECTOR	0.500	2EP-8490-04



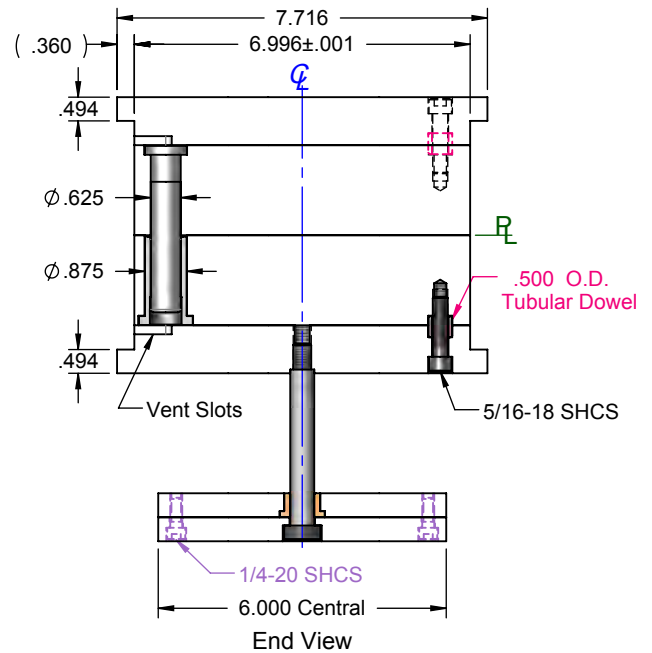
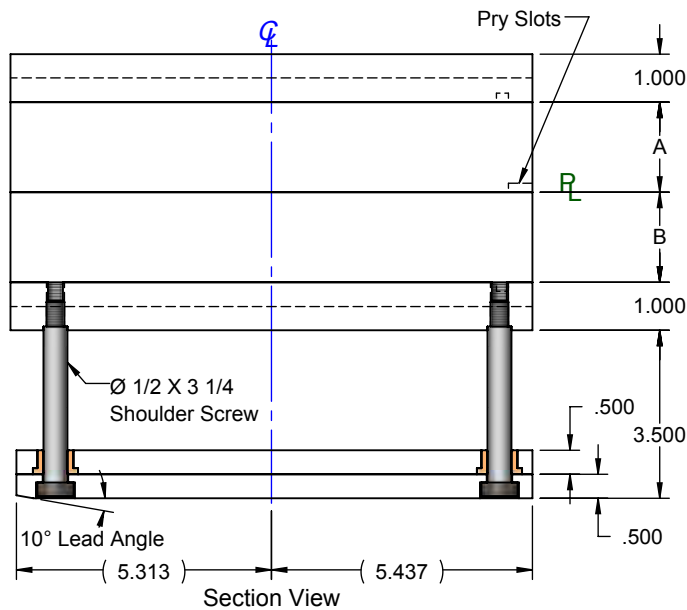
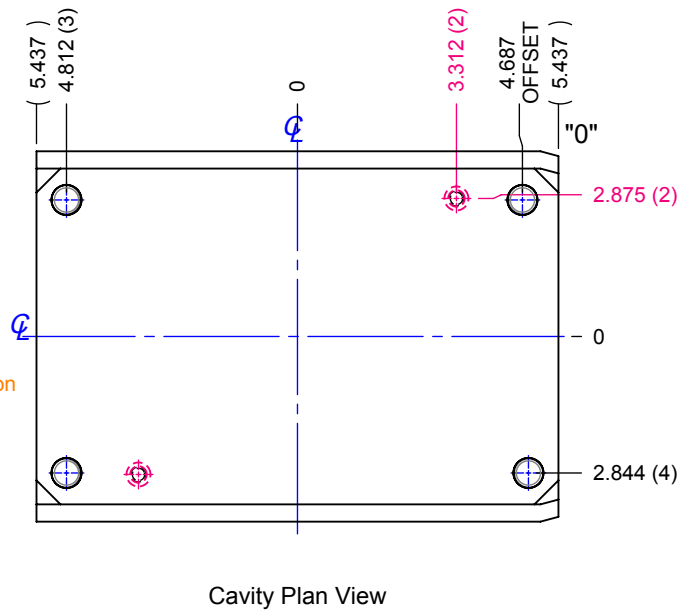
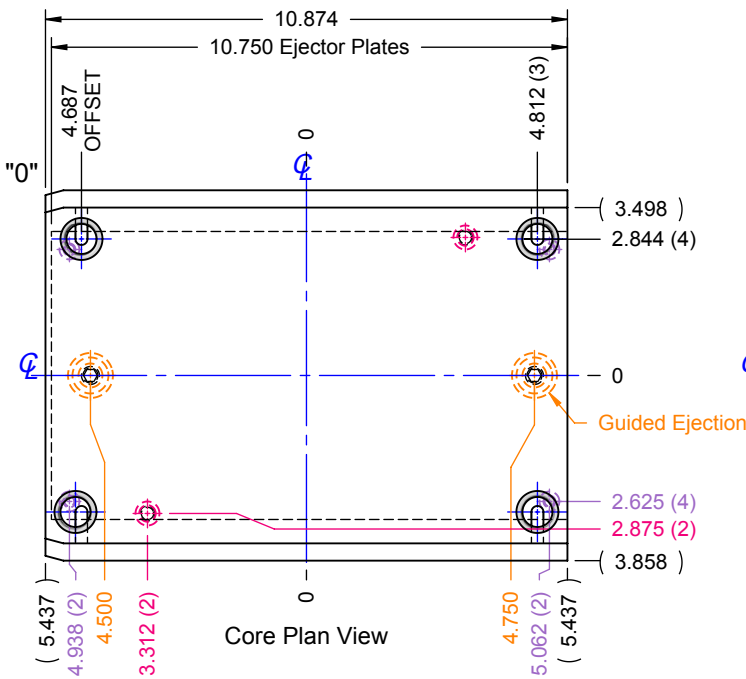
F.I.T.S. 10/12 Series LAMINATED Style Inserts

F.I.T.S. INSERT ASSEMBLY

CATALOG NO.	PLATE THICKNESS +.002/-.000	
	A	B
FTL-1012-285	1.376	1.376
FTL-1012-286	1.376	1.876
FTL-1012-288	1.876	1.376
FTL-1012-289	1.876	1.876

F.I.T.S. REPLACEMENT PLATES

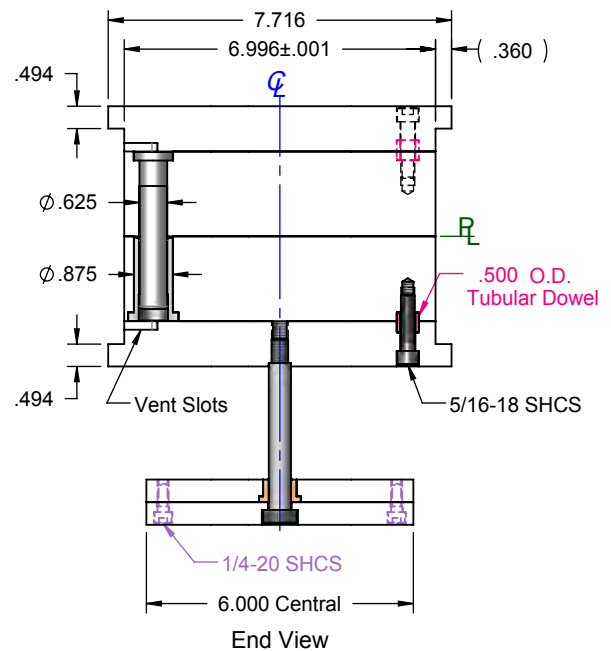
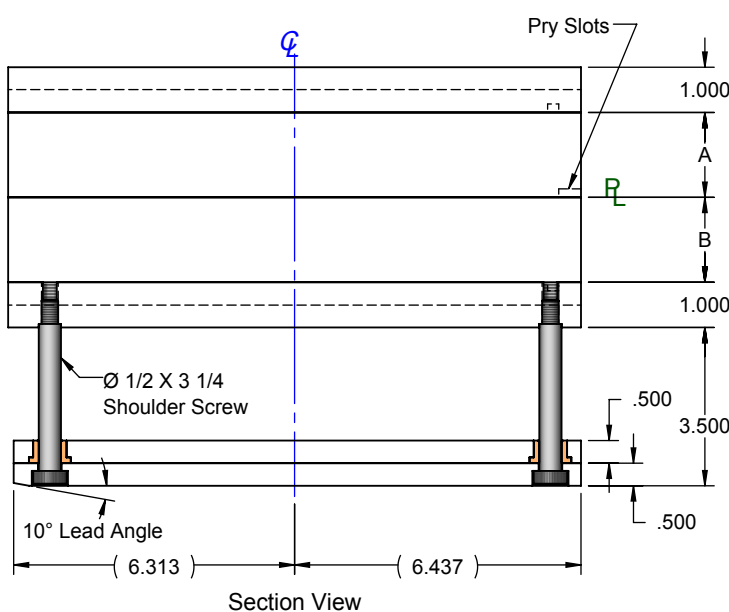
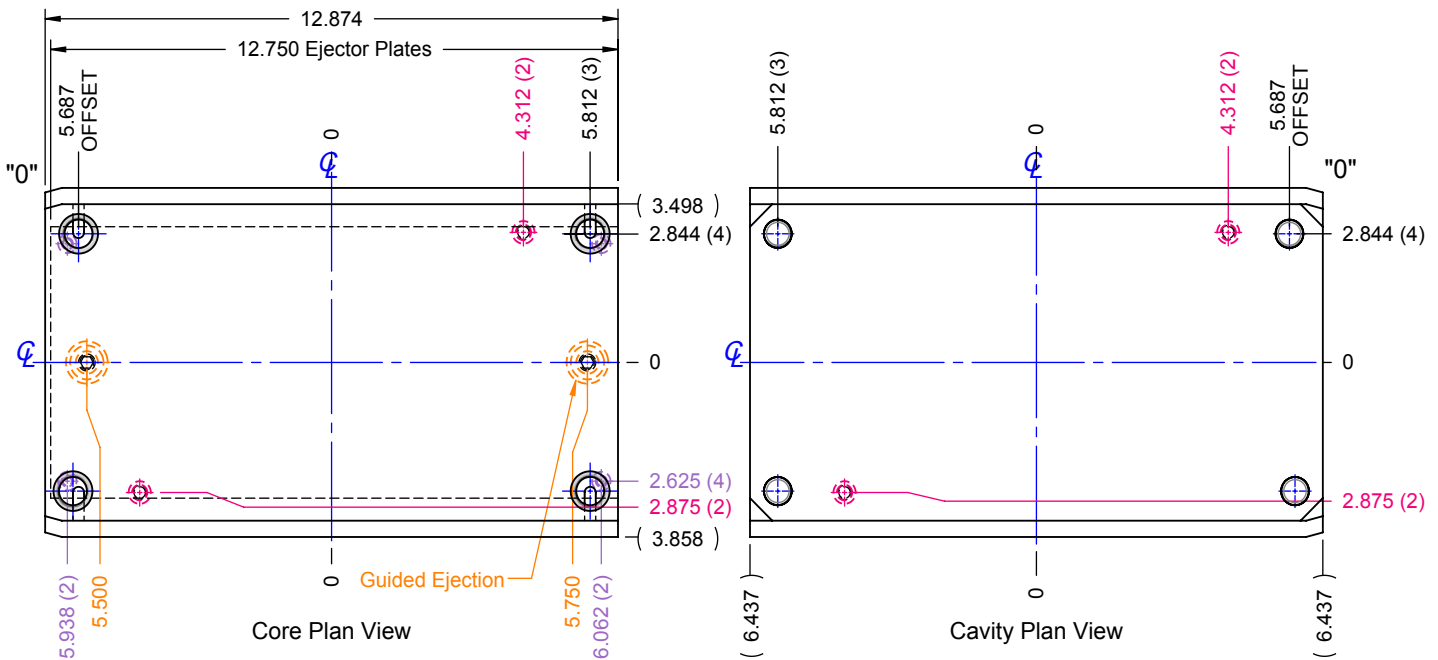
PLATE	PLATE THICKNESS	CATALOG NO.
SUPPORT A	1.000	2SP-1012-10G
A	1.376	3AL-1012-13
	1.876	3AL-1012-17
B	1.376	3BL-1012-13
	1.876	3BL-1012-17
SUPPORT B	1.000	2SP-1012-10
RETAINER	0.500	2ER-1012-04
EJECTOR	0.500	2EP-1012-04



F.I.T.S. 10/14 Series LAMINATED Style Inserts

F.I.T.S. INSERT ASSEMBLY		
CATALOG NO.	PLATE THICKNESS +.002/-.000	
	A	B
FTL-1014-285	1.376	1.376
FTL-1014-286	1.376	1.876
FTL-1014-288	1.876	1.376
FTL-1014-289	1.876	1.876

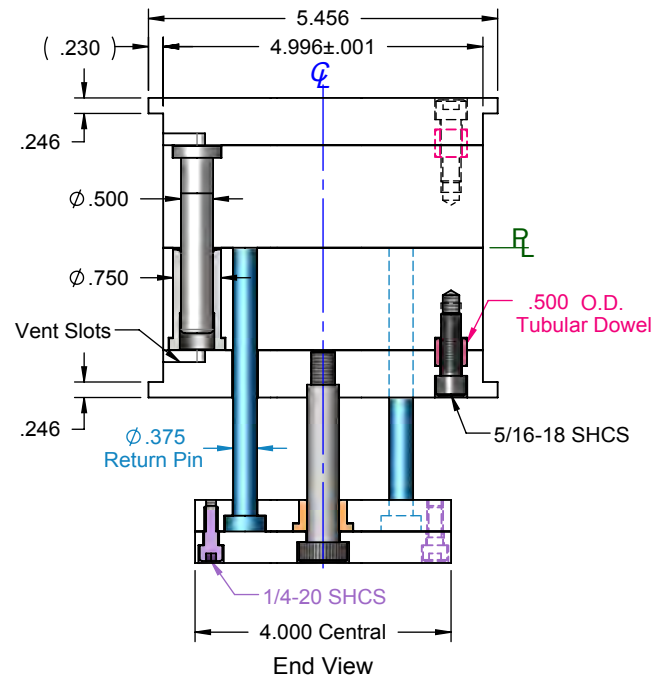
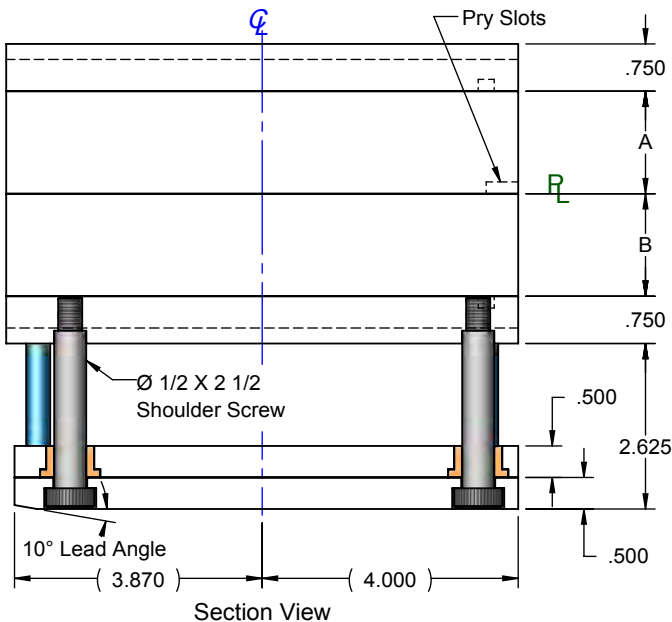
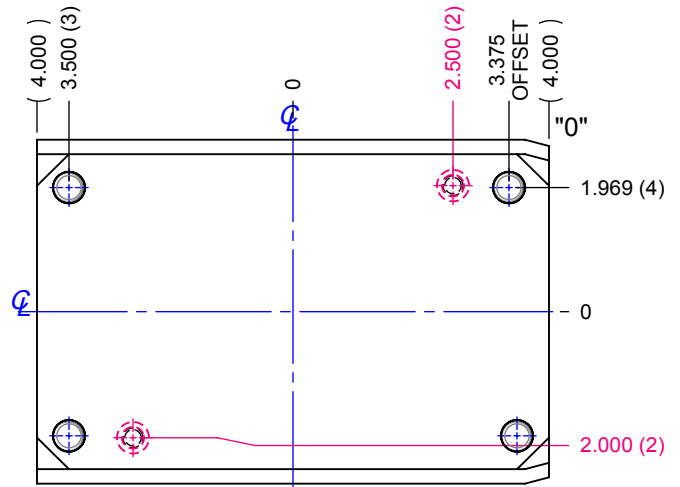
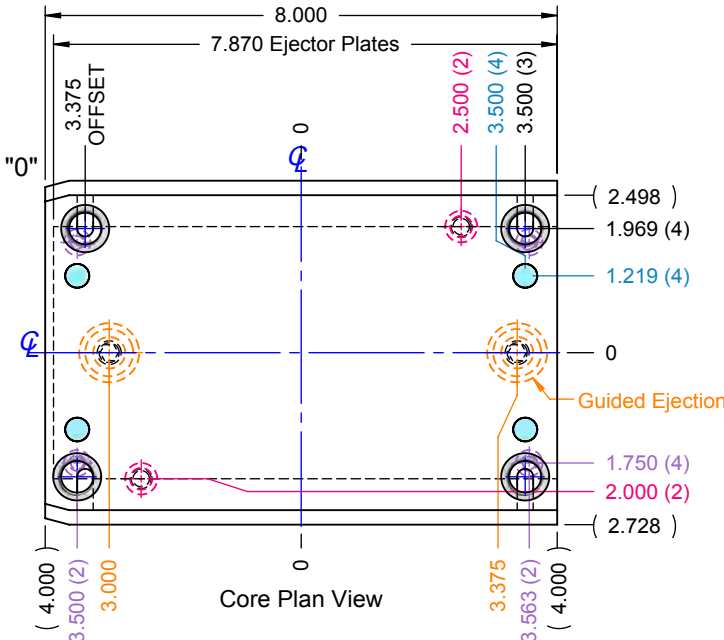
F.I.T.S. REPLACEMENT PLATES		
PLATE	PLATE THICKNESS	CATALOG NO.
SUPPORT A	1.000	2SP-1014-10G
A	1.376	3AL-1014-13
	1.876	3AL-1014-17
B	1.376	3BL-1014-13
	1.876	3BL-1014-17
SUPPORT B	1.000	2SP-1014-10
RETAINER	0.500	2ER-1014-04
EJECTOR	0.500	2EP-1014-04



F.I.T.S. 08/09 Series LAMINATED Plus Style Inserts

F.I.T.S. INSERT ASSEMBLY		
CATALOG NO.	PLATE THICKNESS +.002/-.000	
	A	B
FTL-0809-284-X	1.126	1.126
FTL-0809-285-X	1.126	1.626
FTL-0809-286-X	1.626	1.126
FTL-0809-287-X	1.626	1.626
FTL-0809-288-X	1.626	2.126
FTL-0809-289-X	2.126	1.626
FTL-0809-290-X	2.126	2.126

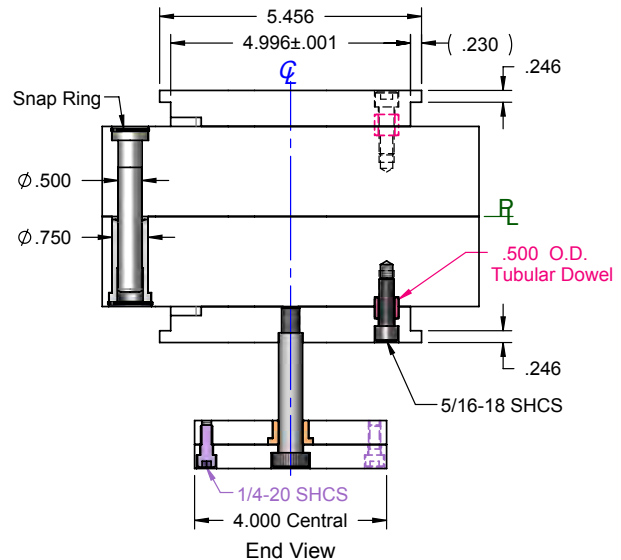
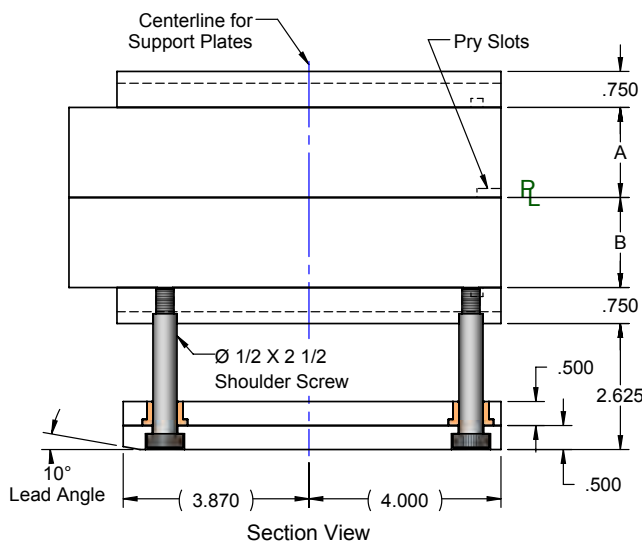
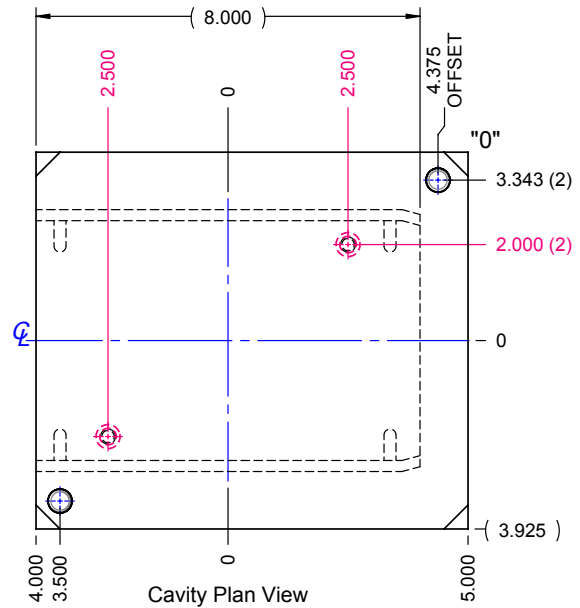
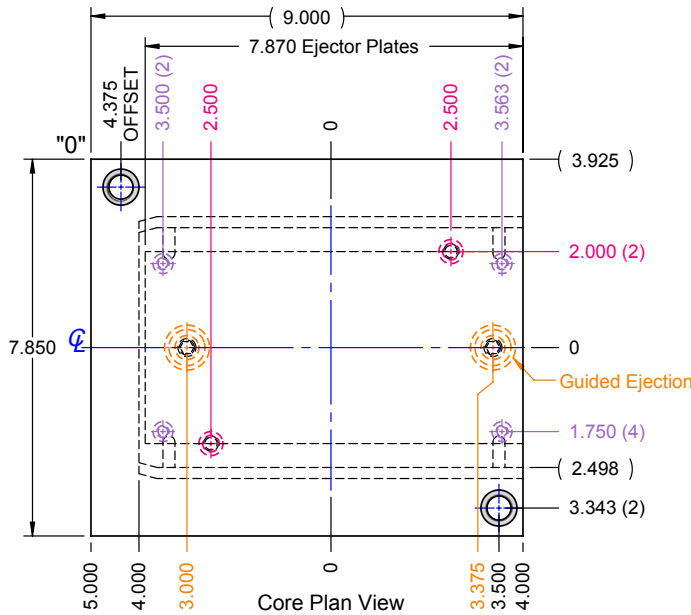
F.I.T.S. REPLACEMENT PLATES		
PLATE	PLATE THICKNESS	CATALOG NO.
SUPPORT A	0.750	2SP-0809-06G
A	1.126	3AL-0809-11X
	1.626	3AL-0809-15X
	2.126	3AL-0809-21X
B	1.126	3BL-0809-11X
	1.626	3BL-0809-15X
	2.126	3BL-0809-21X
SUPPORT B	0.750	2SP-0809-06X
RETAINER	0.500	2ER-0809-04X
EJECTOR	0.500	2EP-0809-04



F.I.T.S. 08/09 Series T-Style Inserts

F.I.T.S. INSERT ASSEMBLY		
CATALOG NO.	PLATE THICKNESS +.002/-.000	
	A	B
FTT-0809-201	1.001	1.001
FTT-0809-202	1.001	1.501
FTT-0809-203	1.251	1.251
FTT-0809-204	1.501	1.001
FTT-0809-205	1.501	1.501
FTT-0809-206	1.876	1.876

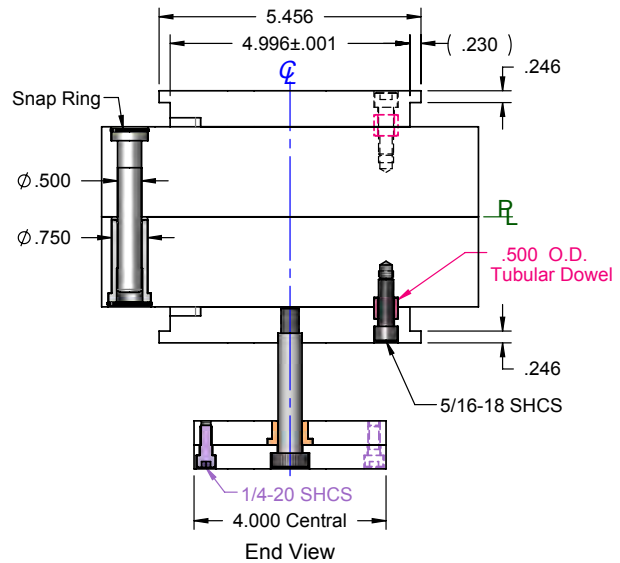
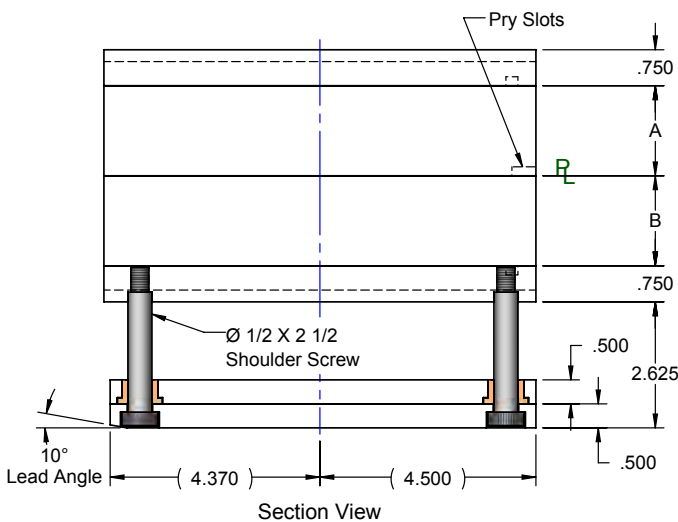
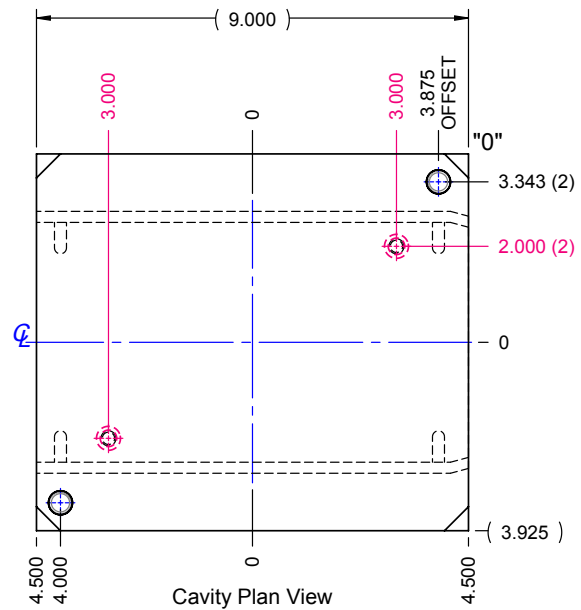
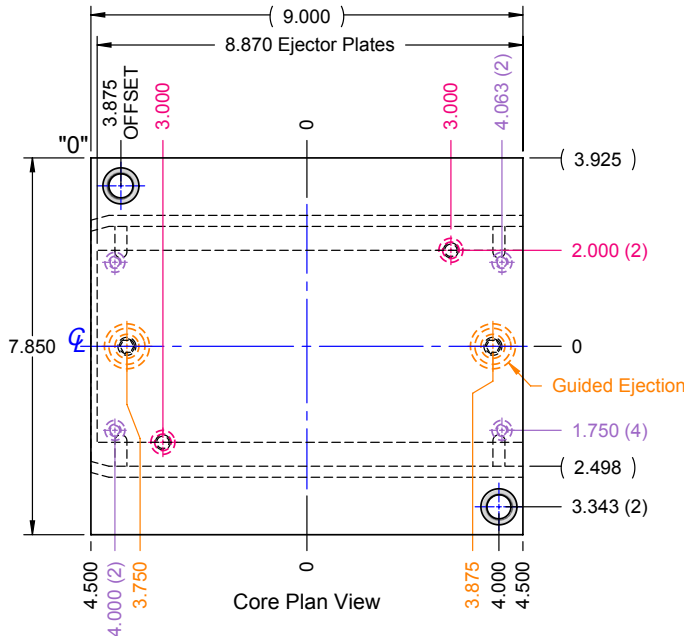
F.I.T.S. REPLACEMENT PLATES		
PLATE	PLATE THICKNESS	CATALOG NO.
SUPPORT A	0.750	2SP-0809-06G
A	1.001	3AT-0809-10
	1.251	3AT-0809-12
	1.501	3AT-0809-14
	1.876	3AT-0809-17
B	1.001	3BT-0809-10
	1.251	3BT-0809-12
	1.501	3BT-0809-14
	1.876	3BT-0809-17
SUPPORT B	0.750	2SP-0809-06
RETAINER	0.500	2ER-0809-04
EJECTOR	0.500	2EP-0809-04



F.I.T.S. 08/10 Series T-Style Inserts

F.I.T.S. INSERT ASSEMBLY		
CATALOG NO.	PLATE THICKNESS +.002/-.000	
	A	B
FTT-0810-201	1.001	1.001
FTT-0810-202	1.001	1.501
FTT-0810-203	1.251	1.251
FTT-0810-204	1.501	1.001
FTT-0810-205	1.501	1.501
FTT-0810-206	1.876	1.876

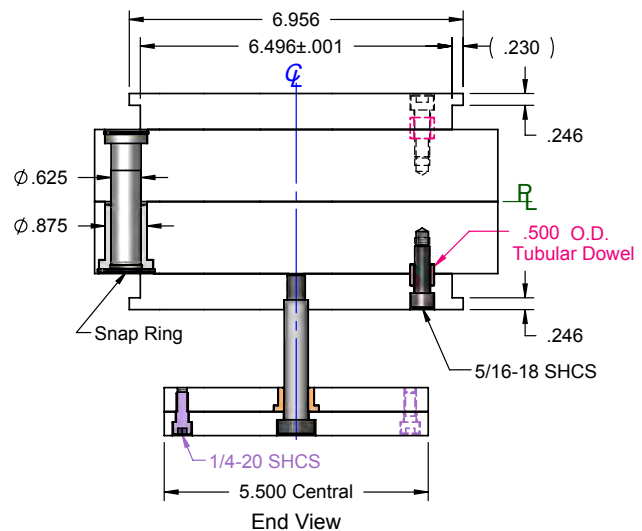
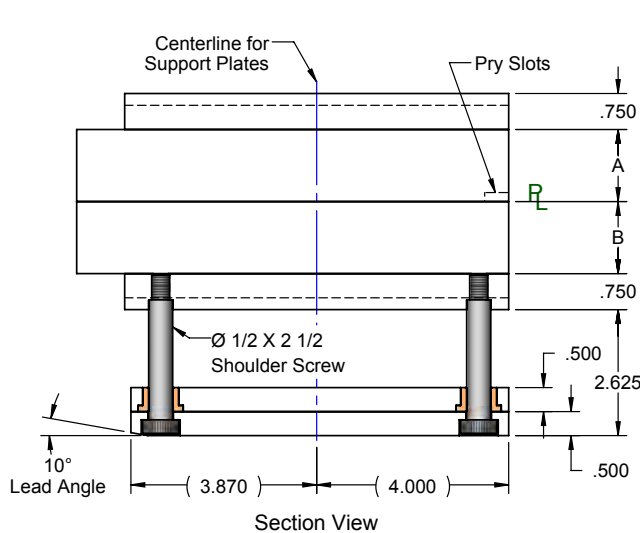
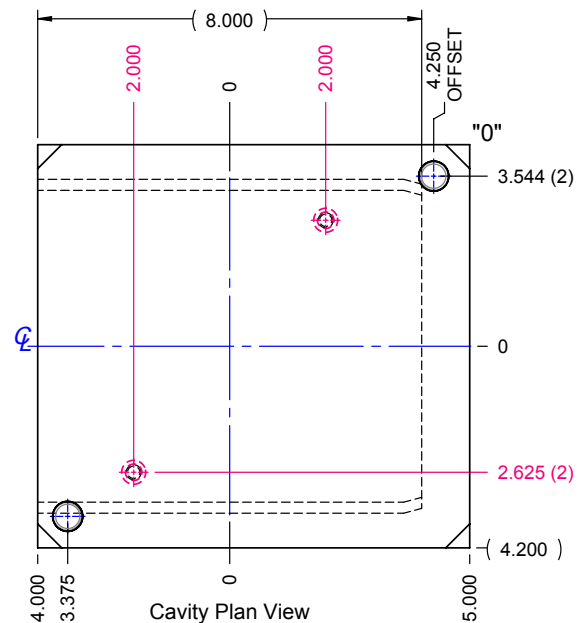
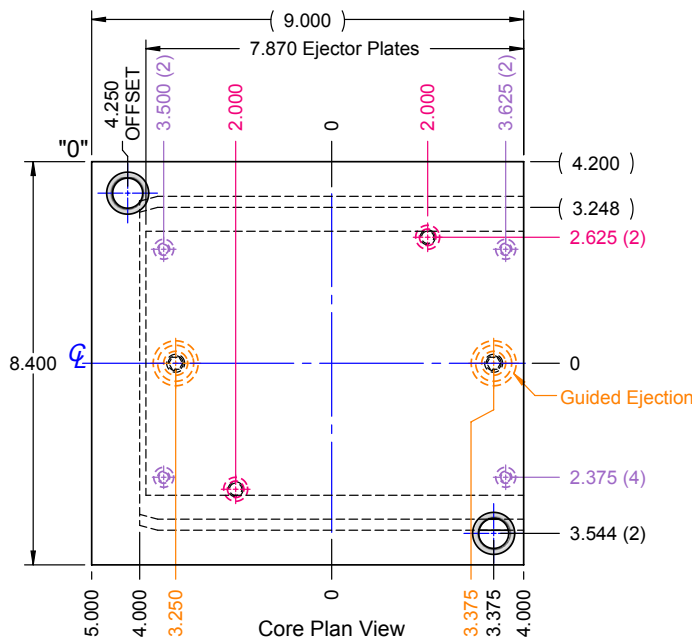
F.I.T.S. REPLACEMENT PLATES		
PLATE	PLATE THICKNESS	CATALOG NO.
SUPPORT A	0.750	2SP-0810-06G
A	1.001	3AT-0810-10
	1.251	3AT-0810-12
	1.501	3AT-0810-14
	1.876	3AT-0810-17
B	1.001	3BT-0810-10
	1.251	3BT-0810-12
	1.501	3BT-0810-14
	1.876	3BT-0810-17
SUPPORT B	0.750	2SP-0810-06
RETAINER	0.500	2ER-0809-04
EJECTOR	0.500	2EP-0809-04



F.I.T.S. 84/90 Series T-Style Inserts

F.I.T.S. INSERT ASSEMBLY		
CATALOG NO.	PLATE THICKNESS +.002/-.000	
	A	B
FTT-8490-204	1.251	1.251
FTT-8490-206	1.501	1.501
FTT-8490-207	1.876	1.876

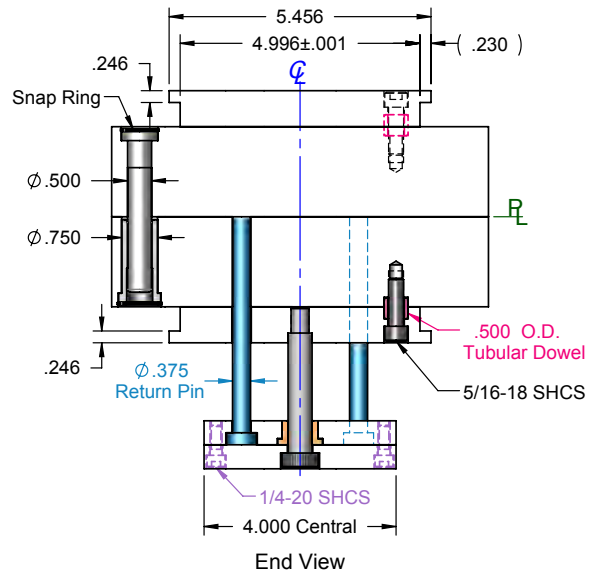
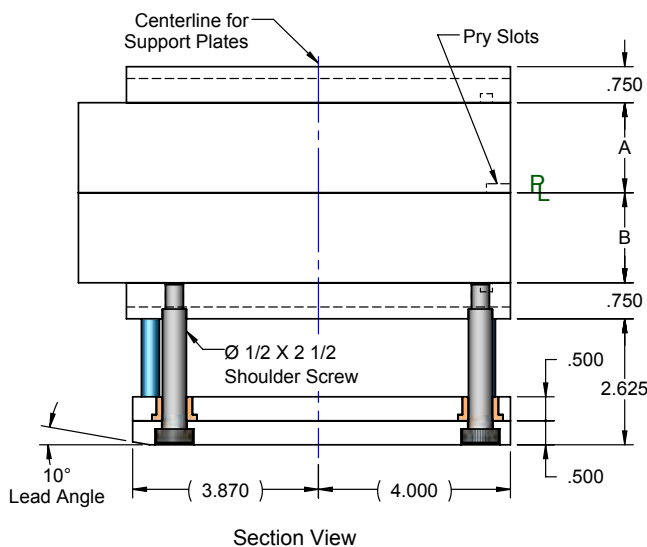
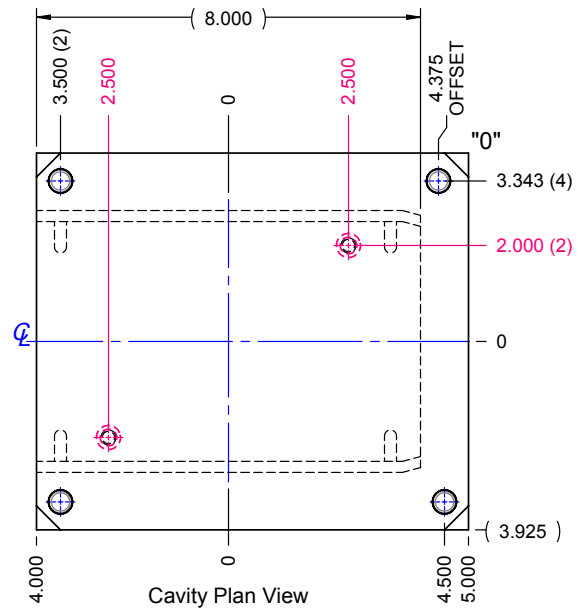
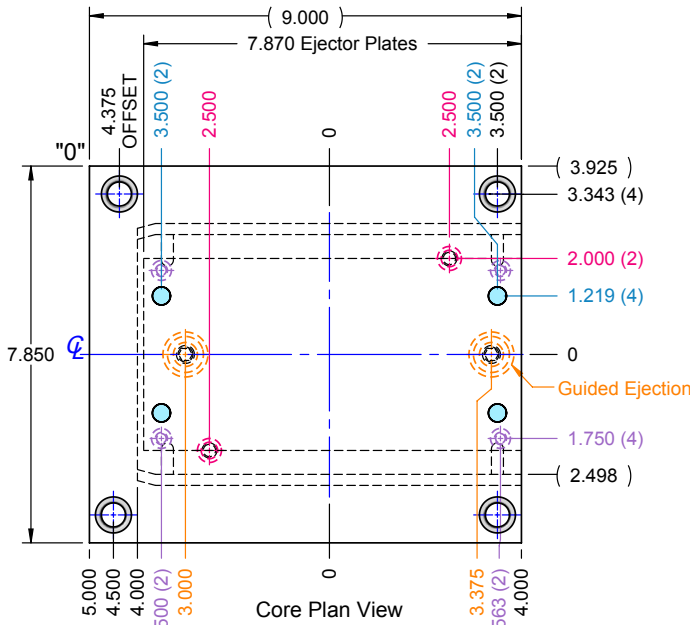
F.I.T.S. REPLACEMENT PLATES		
PLATE	PLATE THICKNESS	CATALOG NO.
SUPPORT A	0.750	2SP-8490-06G
A	1.251	3AT-8490-12
	1.501	3AT-8490-14
	1.876	3AT-8490-17
B	1.251	3BT-8490-12
	1.501	3BT-8490-14
	1.876	3BT-8490-17
SUPPORT B	0.750	2SP-8490-06
RETAINER	0.500	2ER-8490-04
EJECTOR	0.500	2EP-8490-04



F.I.T.S. 08/09 Series T-Style Plus Inserts

F.I.T.S. INSERT ASSEMBLY		
CATALOG NO.	PLATE THICKNESS +.002/- .000	
	A	B
FTT-0809-201-X	1.001	1.001
FTT-0809-202-X	1.001	1.501
FTT-0809-203-X	1.251	1.251
FTT-0809-204-X	1.501	1.001
FTT-0809-205-X	1.501	1.501
FTT-0809-206-X	1.876	1.876

F.I.T.S. REPLACEMENT PLATES		
PLATE	PLATE THICKNESS	CATALOG NO.
SUPPORT A	0.750	2SP-0809-06G
A	1.001	3AT-0809-10X
	1.251	3AT-0809-12X
	1.501	3AT-0809-14X
	1.876	3AT-0809-17X
B	1.001	3BT-0809-10X
	1.251	3BT-0809-12X
	1.501	3BT-0809-14X
	1.876	3BT-0809-17X
SUPPORT B	0.750	2SP-0809-06X
RETAINER	0.500	2ER-0809-04X
EJECTOR	0.500	2EP-0809-04



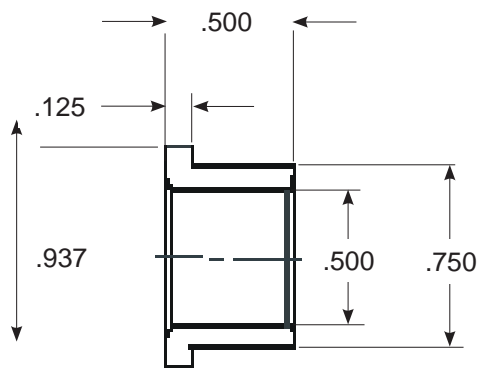
F.I.T.S.® Guided Ejector Bushings

- Bushings are stocked to dimensions & tolerances shown
- Eliminates galling to leader pins
- Keeps ejector assembly aligned
- Extends the life of ejection components



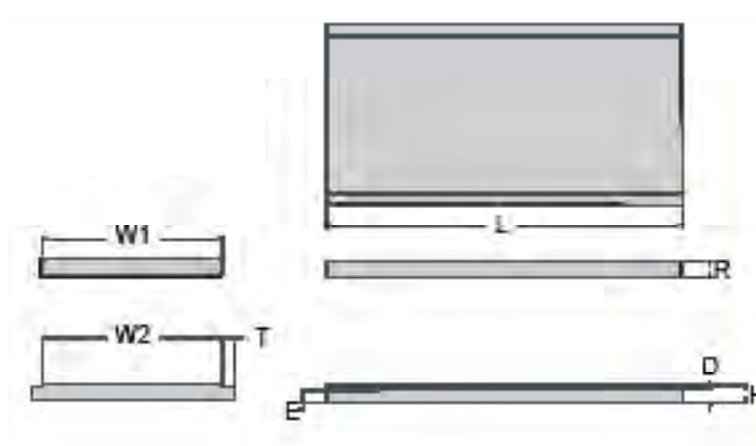
PCS F.I.T.S.™ Oillite Guided Ejector Bushing is designed to be used with F.I.T.S.™ assemblies. Galling is eliminated with the use of a F.I.T.S.™ Guided Ejector Bushing.

SPECIFICATIONS	
Material Type	Oillite
Unit of Measure	Inch



CATALOG NO.	L OVERALL LENGTH	I.D.	O.D.	H HEAD DIAMETER	HEAD THICKNESS	PF PRESS FIT DIAMETER
FE-50-50	0.5	0.5	0.75	0.937	.125	1

F.I.T.S.® Sleeve Ejector Plate Sets



CATALOG NO.	W1	W2	L	R	H	D	E	T
1SE-0809-72	4.00	4.00	7.88	0.360	0.360	0.283	0.247	0.250

F.I.T.S.® Leader Pins

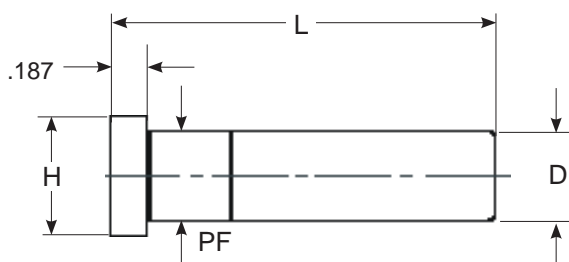
- Maintains proper alignment of mold halves
- Manufactured from Hardened Steel
- Also known as guide pins

F.I.T.S.™ Leader Pins are designed to be used with F.I.T.S.™ assemblies. These leader pins are manufactured from hardened steel and assist in maintaining proper alignment between mold halves.



SPECIFICATIONS

Material Type	SUJ2
T Head Thickness	0.187
Unit of Measure	Inch



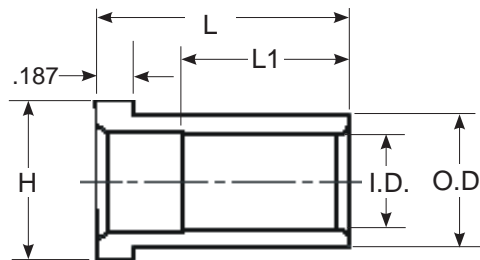
CATALOG NO.	D PIN DIAMETER	L OVERALL LENGTH	NOMINAL DIAMETER	H HEAD DIAMETER	PF PRESS FIT DIAMETER
FL-50-17	0.499	1.875	1/2	0.75	0.5005
FL-50-20	0.499	2	1/2	0.75	0.5005
FL-50-22	0.499	2.25	1/2	0.75	0.5005
FL-50-23	0.499	2.375	1/2	0.75	0.5005
FL-50-24	0.499	2.5	1/2	0.75	0.5005
FL-50-26	0.499	2.75	1/2	0.75	0.5005
FL-50-27	0.499	2.87	1/2	0.75	0.5005
FL-50-30	0.499	3	1/2	0.75	0.5005
FL-50-32	0.499	3.25	1/2	0.75	0.5005
FL-50-33	0.499	3.375	1/2	0.75	0.5005
FL-62-14	0.624	1.5	5/8	0.875	0.6255
FL-62-20	0.624	2	5/8	0.875	0.6255
FL-62-22	0.624	2.25	5/8	0.875	0.6255
FL-62-24	0.624	2.5	5/8	0.875	0.6255
FL-62-26	0.624	2.75	5/8	0.875	0.6255
FL-62-30	0.624	3	5/8	0.875	0.6255
FL-62-32	0.624	3.25	5/8	0.875	0.6255
FL-62-34	0.624	3.5	5/8	0.875	0.6255
FL-62-40	0.624	4	5/8	0.875	0.6255
FL-62-41	0.624	4.125	5/8	0.875	0.6255

F.I.T.S.® Shoulder Bushings

- Bushings are stocked to dimensions & tolerances shown
- Eliminates galling to leader pins
- Hardened and Precision Ground
- Perfect for mold alignment



SPECIFICATIONS	
L Overall Length Tolerance	-0.030 / -0.050
Material Type	4130
T Head Thickness	0.187
Unit of Measure	Inch



CATALOG NO.	H HEAD DIAMETER	I.D.	L OVERALL LENGTH	L1 I.D. BEARING LENGTH	NOMINAL DIAMETER	O.D.
FB-50-06	0.875	0.5005	0.75	1	1/2	0.7505
FB-50-07	0.875	0.5005	0.87	1	1/2	0.7505
FB-50-10	0.875	0.5005	1.00	1	1/2	0.7505
FB-50-11	0.875	0.5005	1.12	1	1/2	0.7505
FB-50-12	0.875	0.5005	1.25	1	1/2	0.7505
FB-50-13	0.875	0.5005	1.37	1	1/2	0.7505
FB-50-14	0.875	0.5005	1.5	1	1/2	0.7505
FB-50-15	0.875	0.5005	1.62	1	1/2	0.7505
FB-50-16	0.875	0.5005	1.75	1	1/2	0.7505
FB-50-17	0.875	0.5005	1.88	1	1/2	0.7505
FB-50-21	0.875	0.5005	2.12	1	1/2	0.7505
FB-50-22	0.875	0.5005	2.25	1	1/2	0.7505
FB-62-07	1.125	0.6255	0.87	1.25	5/8	0.8755
FB-62-10	1.125	0.6255	1.00	1.25	5/8	0.8755
FB-62-11	1.125	0.6255	1.12	1.25	5/8	0.8755
FB-62-12	1.125	0.6255	1.25	1.25	5/8	0.8755
FB-62-13	1.125	0.6255	1.37	1.25	5/8	0.8755
FB-62-14	1.125	0.6255	1.5	1.25	5/8	0.8755
FB-62-15	1.125	0.6255	1.62	1.25	5/8	0.8755
FB-62-16	1.125	0.6255	1.75	1.25	5/8	0.8755
FB-62-17	1.125	0.6255	1.88	1.25	5/8	0.8755
FB-62-21	1.125	0.6255	2.12	1.25	5/8	0.8755
FB-62-22	1.125	0.6255	2.25	1.25	5/8	0.8755
FB-62-23	1.125	0.6255	2.37	1.25	5/8	0.8755
FB-62-27	1.125	0.6255	2.88	1.25	5/8	0.8755

F.I.T.S.® Snap Rings

- Used with F.I.T.S.™ assemblies
- Available to support three diameters of pins or bushings

F.I.T.S.™ Snap Rings are available to support three diameters of pins and bushings. These Snap Rings are designed to be used with F.I.T.S.™ assemblies.



SPECIFICATIONS	
Unit of Measure	Inch
Material Type	Spring Steel

CATALOG NO.	HEAD DIAMETER OF BUSHING
HO-75	3/4
HO-87	7/8
HO-112	1-1/8

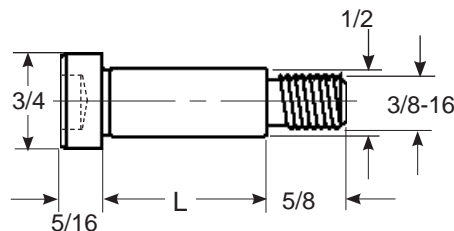
F.I.T.S.® Socket Head Shoulder Screws

- Available in two shoulder lengths
- Used for guided ejection

F.I.T.S.™ Socket Head Shoulder Screws are available in two different lengths and are designed to be used for guided ejection.



SPECIFICATIONS	
Thread Diameter	3/8-16
H Head Diameter	0.75
Head Thickness	5/16
Material Type	Alloy Steel
Thread Diameter	3/8-16
Thread Length	0.54
Unit of Measure	Inch



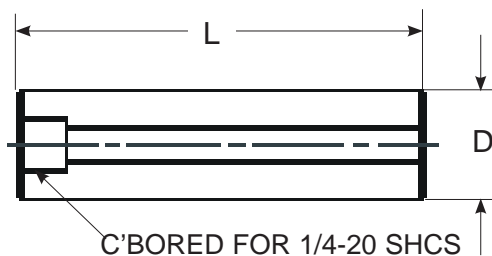
CATALOG NO.	L SHOULDER LENGTH	THREAD LENGTH
FSB33-2500	2-1/2	0.54
FSB33-3250	3-1/4	5/8

F.I.T.S.® Support Pillars



- Used with F.I.T.S.™ assemblies
- Available in multiple lengths and diameters
- Counterbored for 1/4-20 SHCS
- Lengths are flat & parallel .0002
- Helps to reduce flash

SPECIFICATIONS	
Material Type	1040
Unit of Measure	Inch



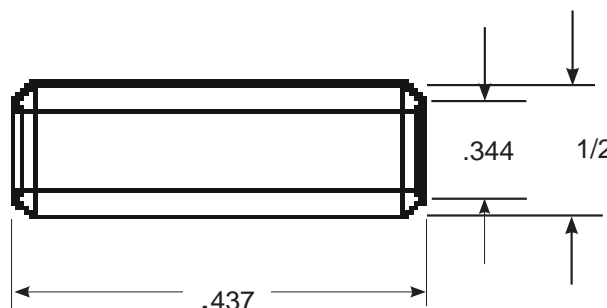
CATALOG NO.	D DIAMETER	L OVERALL LENGTH
FZ-07-26	3/4	2.625
FZ-07-35	3/4	3.5
FZ-10-26	1	2.625
FZ-10-35	1	3.5
FZ-12-26	1-1/4	2.625
FZ-12-35	1-1/4	3.5

F.I.T.S.® Tubular Dowels



- Used with F.I.T.S.™ assemblies
- Aligns the "B" plate, support plate and ejector housing
- Allows more room for waterlines by superimposing the dowel pin & cap screw

SPECIFICATIONS	
Material Type	Alloy Steel
Unit of Measure	Inch



CATALOG NO.	L OVERALL LENGTH	I.D.	O.D.	D DIAMETER	NOMINAL DIAMETER
TD5-437	0.437	0.344	0.5002	1/2	1/2



Turn To The Industry Experts

Visit the PCS Company CAD File Library online

- Complete catalog
- View of product specifications
- Instant downloads
- 360 degree views
- 3D & 2D Views
- Mold assembly configuration
- Downloads available in many formats
- No login required