

METRIC DIN

Angle Pins.....	H52
Bronze Plated Guided Ejector Bushings.....	H31
Core Pins.....	H48
Core Pins - D Head.....	H51
Guide Pins - with Collar.....	H3
Guide Pins - without Collar.....	H14
Guide Pin Bushings - with Collar.....	H27
Guide Pin Bushings - without Collar.....	H28
Leader Pins.....	H25
Nitrided Ejector Blades.....	H34
Nitrided Ejector Pins.....	H37
Nitrided Ejector Pins - D Head.....	H40
Nitrided Ejector Sleeves.....	H44
Nitrided Ejector Sleeves - D Head.....	H47
Nitrided Step Pins.....	H41
Self-Lube Guide Pin Bushings - with Collar.....	H29
Self-Lubricating Guided Ejector Bushings.....	H32
Shoulder Bushings - Bronze Plated.....	H33

Complete line of Metric DIN Mold Components

- In stock
- Wide variety of standard sizes and components
- Easily cross reference Metric DIN products on our website
- Custom sizes available upon request

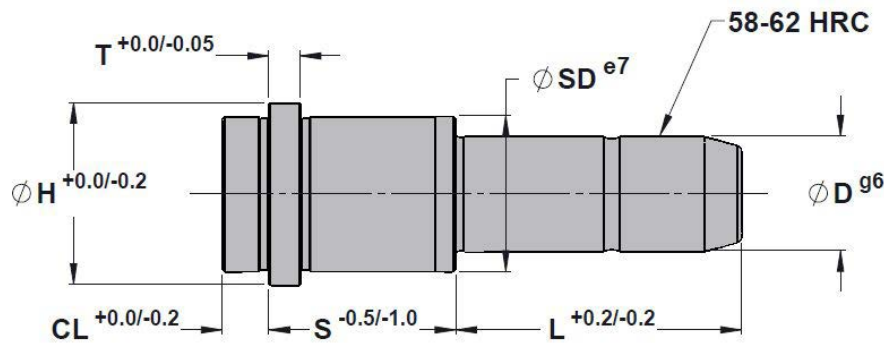


Metric DIN Guide Pins - with Collar

- Provides initial alignment of cavity and core halves
- Press-fit installation
- Tolerances allow for mating with Metric DIN Guide Bushings
- Custom sizes available upon request



SPECIFICATIONS	
Actual Pin Diameter Tolerance	g6
Collar Length Tolerance	+0.0 / -0.2
H Head Diameter Tolerance	-0.20
L Length Tolerance	+/-0.2
S Shoulder Length Tolerance	-0.5 / -1.0
SD Shoulder Diameter Tolerance	e7
T Head Thickness Tolerance	-0.05 / -0.25



Standard: Metric DIN

Material: 1.7131 (AISI 5115 Type) Steel

Surface Treatment: Case-hardened 58 - 62 HRC & Finish Ground

- Stocked items
- 2-3 Week Delivery

CATALOG NO.	D	SD	H	T	CL	S	L																											
							020	025	030	035	045	050	055	060	065	070	075	085	090	095	105	110	125	135	145	150	155	165						
GDP-EC-09-012-	9	14	16	3	3	12																												
GDP-EC-09-017-						17																												
GDP-EC-09-022-						22																												
GDP-EC-09-027-						27																												
GDP-EC-09-036-						36																												
GDP-EC-09-046-						46																												
GDP-EC-09-056-						56																												
GDP-EC-10-012-						10	14	16	3	3	12																							
GDP-EC-10-017-	17																																	
GDP-EC-10-022-	22																																	
GDP-EC-10-027-	27																																	
GDP-EC-10-036-	36																																	
GDP-EC-10-046-	46																																	
GDP-EC-10-056-	56																																	

Add length to end of catalog number (i.e. GDP-EC-09-012-025)

Continued on next page



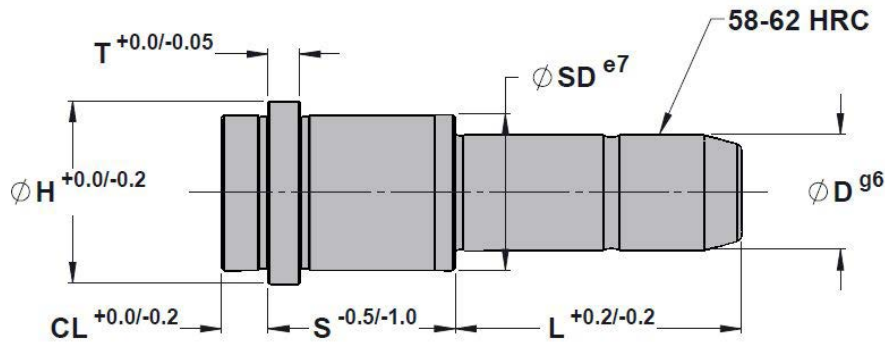
Turn To The Industry Experts

Metric DIN Guide Pins - with Collar

- Provides initial alignment of cavity and core halves
- Press-fit installation
- Tolerances allow for mating with Metric DIN Guide Bushings
- Custom sizes available upon request



SPECIFICATIONS	
Actual Pin Diameter Tolerance	g6
Collar Length Tolerance	+0.0 / -0.2
H Head Diameter Tolerance	-0.20
L Length Tolerance	+/-0.2
S Shoulder Length Tolerance	-0.5 / -1.0
SD Shoulder Diameter Tolerance	e7
T Head Thickness Tolerance	-0.05 / -0.25



Standard: Metric DIN

Material: 1.7131 (AISI 5115 Type) Steel

Surface Treatment: Case-hardened 58 - 62 HRC & Finish Ground

- Stocked items
- 2-3 Week Delivery

CATALOG NO.	D	SD	H	T	CL	S	L																			
							020	025	030	035	045	050	055	060	065	070	075	085	090	095	105	110	125	135	145	150
GDP-EC-14-017-						17			■																	
GDP-EC-14-022-						22		■		●			■			■		■			■					
GDP-EC-14-027-						27		■		●				●										■		
GDP-EC-14-036-						36			●			●													■	
GDP-EC-14-046-						46			●		●			●												
GDP-EC-14-056-	14	20	25	6	9	56			●			●														
GDP-EC-14-066-						66				●			■													
GDP-EC-14-076-						76																				
GDP-EC-14-086-						86																				
GDP-EC-14-096-						96																				
GDP-EC-14-116-						116								■												

Add length to end of catalog number (i.e. GDP-EC-14-017-035)

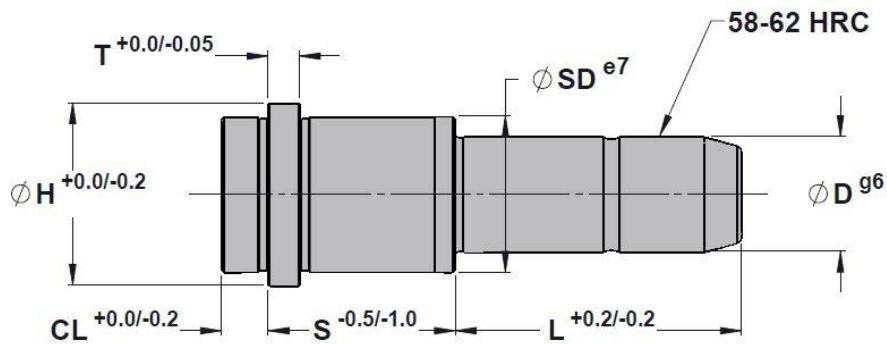
Continued on next page

Metric DIN Guide Pins - with Collar

- Provides initial alignment of cavity and core halves
- Press-fit installation
- Tolerances allow for mating with Metric DIN Guide Bushings
- Custom sizes available upon request



SPECIFICATIONS	
Actual Pin Diameter Tolerance	g6
Collar Length Tolerance	+0.0 / -0.2
H Head Diameter Tolerance	-0.20
L Length Tolerance	+/-0.2
S Shoulder Length Tolerance	-0.5 / -1.0
SD Shoulder Diameter Tolerance	e7
T Head Thickness Tolerance	-0.05 / -0.25



Standard: Metric DIN

Material: 1.7131 (AISI 5115 Type) Steel

Surface Treatment: Case-hardened 58 - 62 HRC & Finish Ground

- Stocked items
- 2-3 Week Delivery

CATALOG NO.	D	SD	H	T	CL	S	L																										
							030	035	045	050	055	065	070	075	085	090	095	105	110	115	120	125	135	145	150	155	165						
GDP-EC-15-017-	15	20	25	6	9	17		■			■				■																		
GDP-EC-15-022-						22	●			●																							
GDP-EC-15-027-						27	●			■				●																			
GDP-EC-15-036-						36		●						■																			
GDP-EC-15-046-						46		●		■				●																			
GDP-EC-15-056-						56		●						■																			
GDP-EC-15-066-						66								●																			
GDP-EC-15-076-						76																											
GDP-EC-15-086-						86																											
GDP-EC-15-096-						96																											
GDP-EC-15-116-						116																											

Add length to end of catalog number (i.e. GDP-EC-15-017-035)

Continued on next page



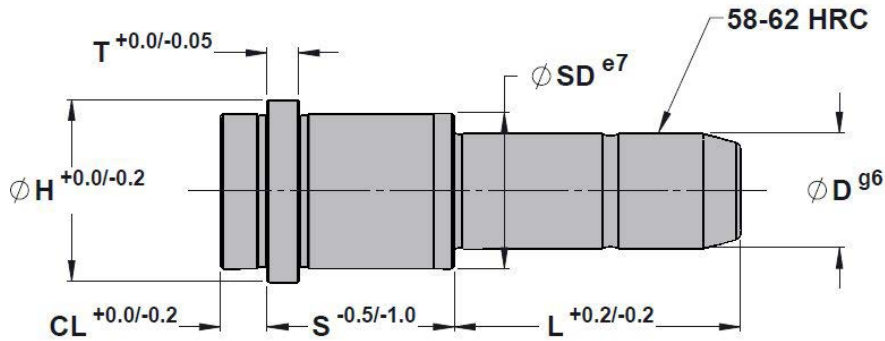
Turn To The Industry Experts

Metric DIN Guide Pins - with Collar

- Provides initial alignment of cavity and core halves
- Press-fit installation
- Tolerances allow for mating with Metric DIN Guide Bushings
- Custom sizes available upon request



SPECIFICATIONS	
Actual Pin Diameter Tolerance	g6
Collar Length Tolerance	+0.0 / -0.2
H Head Diameter Tolerance	-0.20
L Length Tolerance	+/-0.2
S Shoulder Length Tolerance	-0.5 / -1.0
SD Shoulder Diameter Tolerance	e7
T Head Thickness Tolerance	-0.05 / -0.25



Standard: Metric DIN

Material: 1.7131 (AISI 5115 Type) Steel

Surface Treatment: Case-hardened 58 - 62 HRC & Finish Ground

- Stocked items
- 2-3 Week Delivery

CATALOG NO.	D	SD	H	T	CL	S	L																								
							030	035	045	050	055	065	070	075	085	090	095	105	110	115	120	125	135	145	150	155	165	225	245	255	
GDP-EC-18-017-	18	26	31	6	9	17		■			■			■																	
GDP-EC-18-022-						22	■	■				■						■													
GDP-EC-18-027-						27	●	●			■	●			■	●			■			■					■	■	■		
GDP-EC-18-036-						36	●				■	●			■	●			■			■					■	■	■		■
GDP-EC-18-046-						46	●	●				■	●			■	●			■			■				■	■	■		■
GDP-EC-18-056-						56	●					■	●			■	●			■			■								
GDP-EC-18-066-						66						■	●			■	●			■			■								
GDP-EC-18-076-						76						■	●			■	●			■			■								
GDP-EC-18-086-						86						■	●			■	●			■			■								
GDP-EC-18-096-						96						■	●			■	●			■			■								
GDP-EC-18-116-						116										■	●			■			■								
GDP-EC-18-136-						136																	■								

Add length to end of catalog number (i.e. GDP-EC-18-017-035)

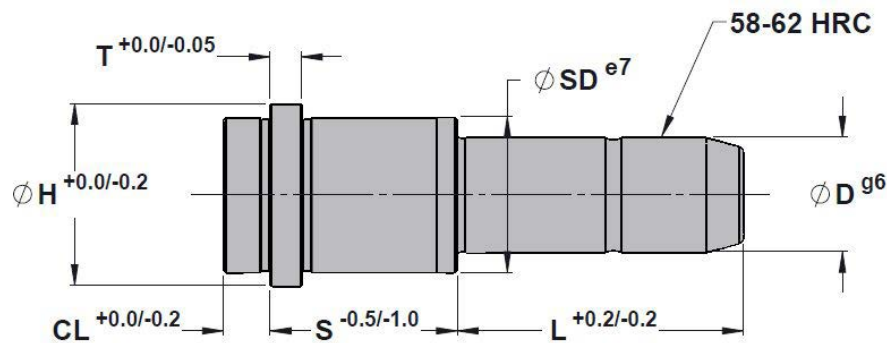
Continued on next page

Metric DIN Guide Pins - with Collar

- Provides initial alignment of cavity and core halves
- Press-fit installation
- Tolerances allow for mating with Metric DIN Guide Bushings
- Custom sizes available upon request



SPECIFICATIONS	
Actual Pin Diameter Tolerance	g6
Collar Length Tolerance	+0.0 / -0.2
H Head Diameter Tolerance	-0.20
L Length Tolerance	+/-0.2
S Shoulder Length Tolerance	-0.5 / -1.0
SD Shoulder Diameter Tolerance	e7
T Head Thickness Tolerance	-0.05 / -0.25



Standard: Metric DIN

Material: 1.7131 (AISI 5115 Type) Steel

Surface Treatment: Case-hardened 58 - 62 HRC & Finish Ground

- Stocked items
- 2-3 Week Delivery

CATALOG NO.	D	SD	H	T	CL	S	L																											
							035	045	055	065	075	085	095	105	115	120	125	130	135	145	155	165	205	225	245	255	285							
GDP-EC-20-017-	20	26	31	6	9	17																												
GDP-EC-20-022-						22																												
GDP-EC-20-027-						27	●	●			●		●																					
GDP-EC-20-036-						36	●		●		●		●		●																			
GDP-EC-20-046-						46	●	●			●		●		●																			
GDP-EC-20-056-						56	●		●		●		●		●																			
GDP-EC-20-066-						66			●		●		●		●																			
GDP-EC-20-076-						76			●		●		●		●																			
GDP-EC-20-086-						86																												
GDP-EC-20-096-						96																												
GDP-EC-20-116-						116																												
GDP-EC-20-136-						136																												

Add length to end of catalog number (i.e. GDP-EC-20-017-035)

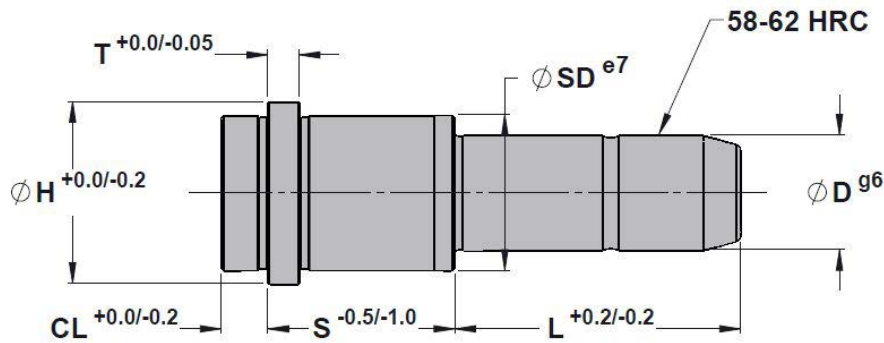
Continued on next page

Metric DIN Guide Pins - with Collar

- Provides initial alignment of cavity and core halves
- Press-fit installation
- Tolerances allow for mating with Metric DIN Guide Bushings
- Custom sizes available upon request



SPECIFICATIONS	
Actual Pin Diameter Tolerance	g6
Collar Length Tolerance	+0.0 / -0.2
H Head Diameter Tolerance	-0.20
L Length Tolerance	+/-0.2
S Shoulder Length Tolerance	-0.5 / -1.0
SD Shoulder Diameter Tolerance	e7
T Head Thickness Tolerance	-0.05 / -0.25



Standard: Metric DIN

Material: 1.7131 (AISI 5115 Type) Steel

Surface Treatment: Case-hardened 58 - 62 HRC & Finish Ground

● Stocked items

■ 2-3 Week Delivery

CATALOG NO.	D	SD	H	T	CL	S	L																										
							035	045	055	065	075	085	095	105	115	120	125	130	135	145	155	165	205	225	245	255	285						
GDP-EC-22-017-	22	30	35	6	9	17	■	■	■	■																							
GDP-EC-22-022-						22	■	■	■	■	■																						
GDP-EC-22-027-						27	●	●	■	■	■	●	●	■	■																		
GDP-EC-22-036-						36	●	■	■	■	■	■	■	■	■																		
GDP-EC-22-046-						46	●	●	■	■	■	■	■	■	■																		
GDP-EC-22-056-						56	●	■	■	■	■	■	■	■	■																		
GDP-EC-22-066-						66	■	■	■	■	■	■	■	■	■																		
GDP-EC-22-076-						76		■	■	■	■	■	■	■	■																		
GDP-EC-22-086-						86		■	■	■	■	■	■	■	■																		
GDP-EC-22-096-						96		■	■	■	■	■	■	■	■																		
GDP-EC-22-116-						116			■	■	■	■	■	■	■																		
GDP-EC-22-136-						136																											
GDP-EC-22-156-						156																											

Add length to end of catalog number (i.e. GDP-EC-22-017-035)

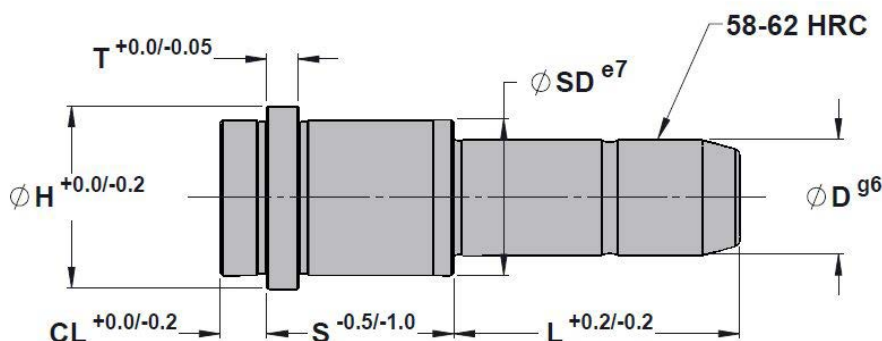
Continued on next page

Metric DIN Guide Pins - with Collar

- Provides initial alignment of cavity and core halves
- Press-fit installation
- Tolerances allow for mating with Metric DIN Guide Bushings
- Custom sizes available upon request



SPECIFICATIONS	
Actual Pin Diameter Tolerance	g6
Collar Length Tolerance	+0.0 / -0.2
H Head Diameter Tolerance	-0.20
L Length Tolerance	+/-0.2
S Shoulder Length Tolerance	-0.5 / -1.0
SD Shoulder Diameter Tolerance	e7
T Head Thickness Tolerance	-0.05 / -0.25



Standard: Metric DIN

Material: 1.7131 (AISI 5115 Type) Steel

Surface Treatment: Case-hardened 58 - 62 HRC & Finish Ground

● Stocked items

■ 2-3 Week Delivery

CATALOG NO.	D	SD	H	T	CL	S	L																							
							035	045	055	065	075	085	095	105	115	125	130	135	145	155	165	175	185	195	205	225	245	285	295	
GDP-EC-24-017-	24	30	35	6	9	17	■																							
GDP-EC-24-022-						22	■																							
GDP-EC-24-027-						27	●	●			●		●			●			■										■	■
GDP-EC-24-036-						36	●				●		●			●				●									●	■
GDP-EC-24-046-						46	●	●			●		●			●			■										●	
GDP-EC-24-056-						56	●				●		●			●													■	
GDP-EC-24-066-						66	■				●		●			●													■	
GDP-EC-24-076-						76					●		●			●														
GDP-EC-24-086-						86					●		●			●														
GDP-EC-24-096-						96					●		●			●														
GDP-EC-24-116-						116							●			●													■	
GDP-EC-24-136-						136									●														■	
GDP-EC-24-156-						156																							■	

Add length to end of catalog number (i.e. GDP-EC-24-017-035)

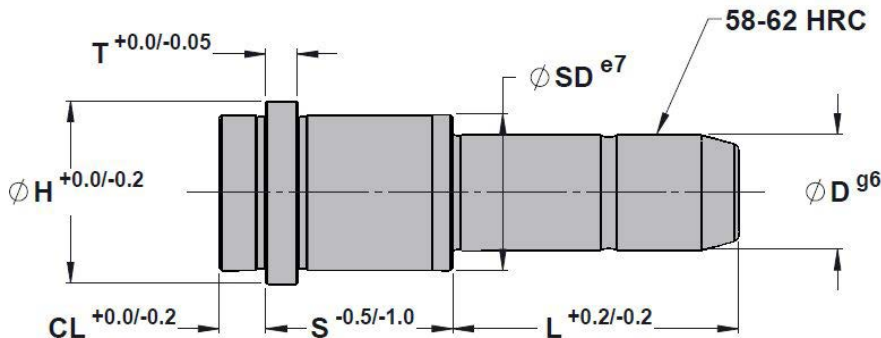
Continued on next page

Metric DIN Guide Pins - with Collar

- Provides initial alignment of cavity and core halves
- Press-fit installation
- Tolerances allow for mating with Metric DIN Guide Bushings
- Custom sizes available upon request



SPECIFICATIONS	
Actual Pin Diameter Tolerance	g6
Collar Length Tolerance	+0.0 / -0.2
H Head Diameter Tolerance	-0.20
L Length Tolerance	+/-0.2
S Shoulder Length Tolerance	-0.5 / -1.0
SD Shoulder Diameter Tolerance	e7
T Head Thickness Tolerance	-0.05 / -0.25



Standard: Metric DIN

Material: 1.7131 (AISI 5115 Type) Steel

Surface Treatment: Case-hardened 58 - 62 HRC & Finish Ground

- Stocked items
- 2-3 Week Delivery

CATALOG NO.	D	SD	H	T	CL	S	L																										
							035	045	055	065	075	085	095	105	115	125	130	135	145	155	165	175	185	195	205	225	245	285	295				
GDP-EC-30-027-	30	42	47	6	9	27																											
GDP-EC-30-036-						36																											
GDP-EC-30-046-						46																											
GDP-EC-30-056-						56																											
GDP-EC-30-066-						66																											
GDP-EC-30-076-						76																											
GDP-EC-30-086-						86																											
GDP-EC-30-096-						96																											
GDP-EC-30-116-						116																											
GDP-EC-30-136-						136																											
GDP-EC-30-156-						156																											
GDP-EC-30-196-						196																											

Add length to end of catalog number (i.e. GDP-EC-30-027-045)

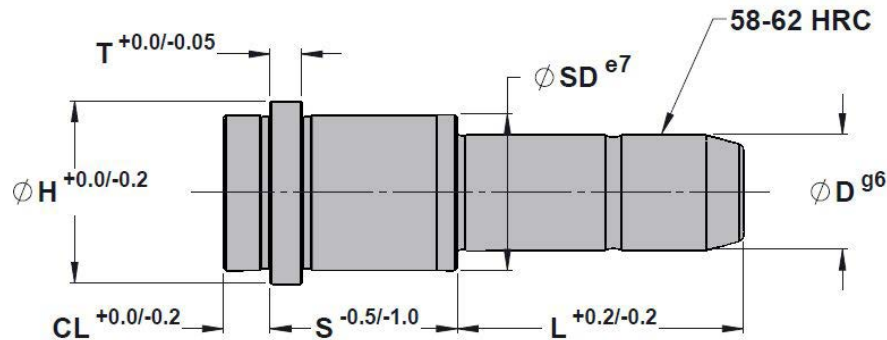
Continued on next page

Metric DIN Guide Pins - with Collar

- Provides initial alignment of cavity and core halves
- Press-fit installation
- Tolerances allow for mating with Metric DIN Guide Bushings
- Custom sizes available upon request



SPECIFICATIONS	
Actual Pin Diameter Tolerance	g6
Collar Length Tolerance	+0.0 / -0.2
H Head Diameter Tolerance	-0.20
L Length Tolerance	+/-0.2
S Shoulder Length Tolerance	-0.5 / -1.0
SD Shoulder Diameter Tolerance	e7
T Head Thickness Tolerance	-0.05 / -0.25



Standard: Metric DIN

Material: 1.7131 (AISI 5115 Type) Steel

Surface Treatment: Case-hardened 58 - 62 HRC & Finish Ground

- Stocked items
- 2-3 Week Delivery

CATALOG NO.	D	SD	H	T	CL	S	L																						
							045	055	065	075	085	095	105	115	125	135	155	165	175	185	195	205	215	225	235	245	285	295	
GDP-EC-32-027-	32	42	47	6	9	27	■	■	■	■	■	■	■	■	■	■	■	■	■	■	■	■	■	■	■	■			
GDP-EC-32-036-						36	■	■	■	■	■	■	■	■	■	■	■	■	■	■	■	■	■	■	■	■	■	■	■
GDP-EC-32-046-						46	■	■	■	■	■	■	■	■	■	■	■	■	■	■	■	■	■	■	■	■	■	■	■
GDP-EC-32-056-						56	■	■	■	●	■	■	■	■	■	■	■	■	■	■	■	■	■	■	■	■	■	■	■
GDP-EC-32-066-						66	■	■	■	■	■	■	■	■	■	■	■	■	■	■	■	■	■	■	■	■	■	■	■
GDP-EC-32-076-						76	■	■	■	■	■	■	■	■	■	■	■	■	■	■	■	■	■	■	■	■	■	■	■
GDP-EC-32-086-						86	■	■	■	■	■	■	■	■	■	■	■	■	■	■	■	■	■	■	■	■	■	■	■
GDP-EC-32-096-						96	■	■	■	■	■	■	■	■	■	■	■	■	■	■	■	■	■	■	■	■	■	■	■
GDP-EC-32-116-						116	■	■	■	■	■	■	■	■	■	■	■	■	■	■	■	■	■	■	■	■	■	■	■
GDP-EC-32-136-						136	■	■	■	■	■	■	■	■	■	■	■	■	■	■	■	■	■	■	■	■	■	■	■
GDP-EC-32-156-						156	■	■	■	■	■	■	■	■	■	■	■	■	■	■	■	■	■	■	■	■	■	■	■
GDP-EC-32-196-						196	■	■	■	■	■	■	■	■	■	■	■	■	■	■	■	■	■	■	■	■	■	■	■

Add length to end of catalog number (i.e. GDP-EC-32-027-045)

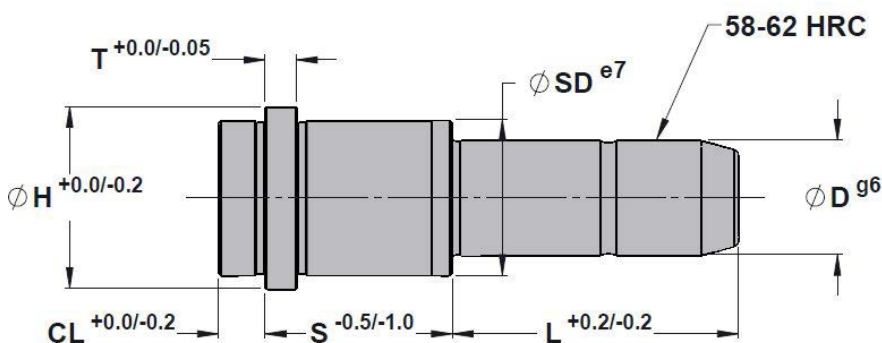
Continued on next page

Metric DIN Guide Pins - with Collar

- Provides initial alignment of cavity and core halves
- Press-fit installation
- Tolerances allow for mating with Metric DIN Guide Bushings
- Custom sizes available upon request



SPECIFICATIONS	
Actual Pin Diameter Tolerance	g6
Collar Length Tolerance	+0.0 / -0.2
H Head Diameter Tolerance	-0.20
L Length Tolerance	+/-0.2
S Shoulder Length Tolerance	-0.5 / -1.0
SD Shoulder Diameter Tolerance	e7
T Head Thickness Tolerance	-0.05 / -0.25



Standard: Metric DIN

Material: 1.7131 (AISI 5115 Type) Steel

Surface Treatment: Case-hardened 58 - 62 HRC & Finish Ground

● Stocked items

■ 2-3 Week Delivery

CATALOG NO.	D	SD	H	T	CL	S	L																								
							045	055	065	075	085	095	105	115	125	135	155	165	175	185	195	205	215	225	235	245	285	295			
GDP-EC-40-056-	40	54	60	10	12	56																									
GDP-EC-40-066-						66																									
GDP-EC-40-076-						76																									
GDP-EC-40-086-						86																									
GDP-EC-40-096-						96																									
GDP-EC-40-116-						116																									
GDP-EC-40-136-						136																									
GDP-EC-40-156-						156																									
GDP-EC-40-196-						196																									
GDP-EC-40-246-						246																									

Add length to end of catalog number (i.e. GDP-EC-40-056-075)

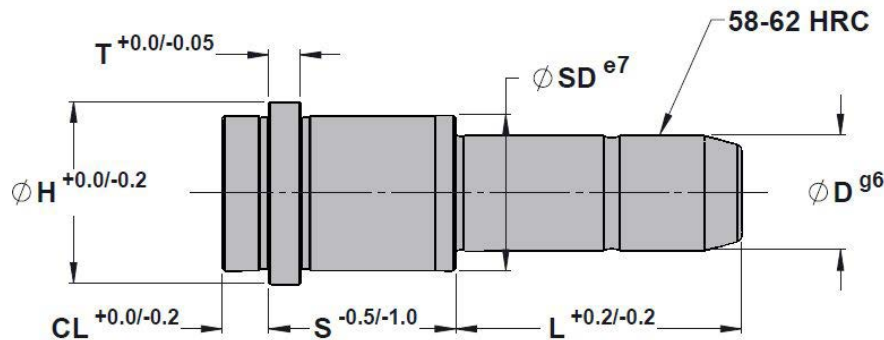
Continued on next page

Metric DIN Guide Pins - with Collar

- Provides initial alignment of cavity and core halves
- Press-fit installation
- Tolerances allow for mating with Metric DIN Guide Bushings
- Custom sizes available upon request



SPECIFICATIONS	
Actual Pin Diameter Tolerance	g6
Collar Length Tolerance	+0.0 / -0.2
H Head Diameter Tolerance	-0.20
L Length Tolerance	+/-0.2
S Shoulder Length Tolerance	-0.5 / -1.0
SD Shoulder Diameter Tolerance	e7
T Head Thickness Tolerance	-0.05 / -0.25



Standard: Metric DIN

Material: 1.7131 (AISI 5115 Type) Steel

Surface Treatment: Case-hardened 58 - 62 HRC & Finish Ground

- Stocked items
- 2-3 Week Delivery

CATALOG NO.	D	SD	H	T	CL	S	L																								
							045	055	065	075	085	095	105	115	125	135	155	165	175	185	195	205	215	225	235	245	285	295			
GDP-EC-42-056-	42	54	60	10	12	56																									
GDP-EC-42-066-						66																									
GDP-EC-42-076-						76																									
GDP-EC-42-086-						86																									
GDP-EC-42-096-						96																									
GDP-EC-42-116-						116																									
GDP-EC-42-136-						136																									
GDP-EC-42-156-						156																									
GDP-EC-42-196-						196																									
GDP-EC-42-246-						246																									

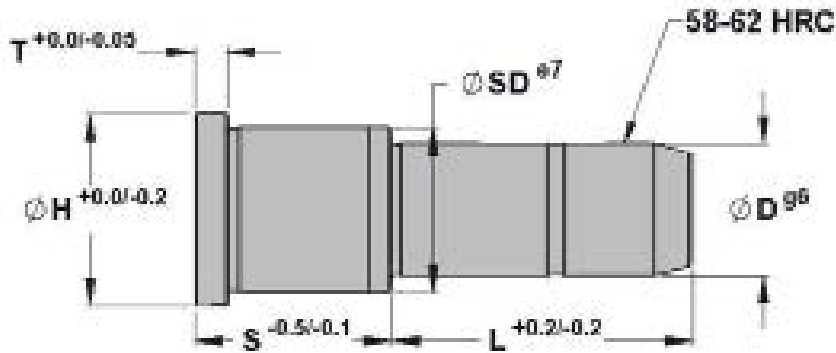
Add length to end of catalog number (i.e. GDP-EC-42-056-075)

Metric DIN Guide Pins - without Collar

- Provides initial alignment of cavity and core halves
- Press-fit installation
- Tolerances allow for mating with Metric DIN Guide Bushings
- Custom sizes available upon request



SPECIFICATIONS	
Actual Pin Diameter Tolerance	g6
H Head Diameter Tolerance	-0.20
L Length Tolerance	+/-0.2
S Shoulder Length Tolerance	-0.5 / -1.0
SD Shoulder Diameter Tolerance	e7
T Head Thickness Tolerance	-0.05 / -0.25



Standard: Metric DIN

Material: 1.7131 (AISI 5115 Type) Steel

Surface Treatment: Case-hardened 58 - 62 HRC & Finish Ground

- Stocked items
- 2-3 Week Delivery

CATALOG NO.	D	SD	H	T	S	L																
						020	025	030	035	040	045	050	055	065	070	075	085	090	095	105	110	
GDP-ES-09-017-	9	14	16	3	17	■		■														
GDP-ES-09-022-					22		■						■									
GDP-ES-09-027-					27		■							■								
GDP-ES-09-036-					36		■							■								
GDP-ES-09-046-					46		■							■								
GDP-ES-10-017-	10	14	16	3	17	■		■														
GDP-ES-10-022-					22		■							■								
GDP-ES-10-027-					27		■							■								
GDP-ES-10-036-					36		■							■								
GDP-ES-10-046-					46		■							■								

Add length to end of catalog number (i.e. GDP-ES-09-017-020)

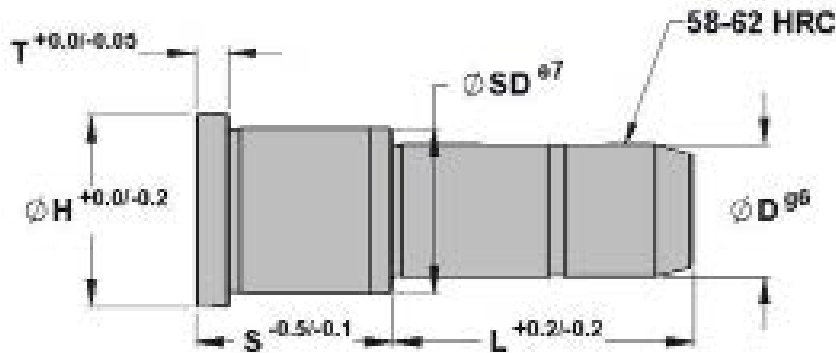
Continued on next page

Metric DIN Guide Pins - without Collar

- Provides initial alignment of cavity and core halves
- Press-fit installation
- Tolerances allow for mating with Metric DIN Guide Bushings
- Custom sizes available upon request



SPECIFICATIONS	
Actual Pin Diameter Tolerance	g6
H Head Diameter Tolerance	-0.20
L Length Tolerance	+/-0.2
S Shoulder Length Tolerance	-0.5 / -1.0
SD Shoulder Diameter Tolerance	e7
T Head Thickness Tolerance	-0.05 / -0.25



Standard: Metric DIN

Material: 1.7131 (AISI 5115 Type) Steel

Surface Treatment: Case-hardened 58 - 62 HRC & Finish Ground

- Stocked items
- 2-3 Week Delivery

CATALOG NO.	D	SD	H	T	S	L																
						020	025	030	035	040	045	050	055	065	070	075	085	090	095	105	110	
GDP-ES-14-022-	14	20	25	6	22	■			■	■	■	■	■	■	■	■	■	■	■			
GDP-ES-14-027-					27	■			■	■	■	■	■	■	■	■	■	■	■	■	■	
GDP-ES-14-036-					36	■																
GDP-ES-14-046-					46	■																
GDP-ES-14-056-					56																	
GDP-ES-14-066-					66																	
GDP-ES-14-076-					76																	
GDP-ES-14-086-					86																	

Add length to end of catalog number (i.e. GDP-ES-14-022-020)

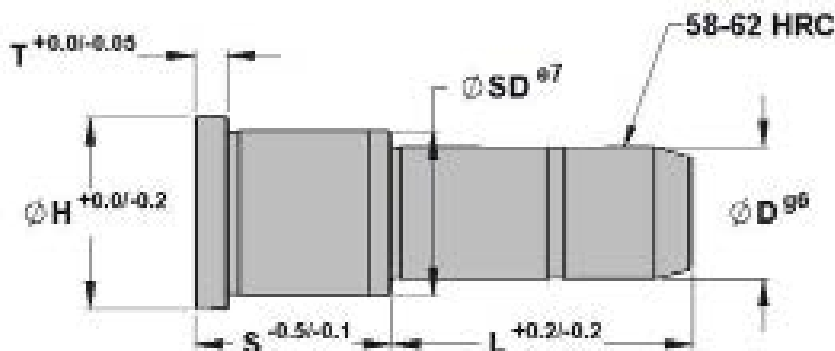
Continued on next page

Metric DIN Guide Pins - without Collar

- Provides initial alignment of cavity and core halves
- Press-fit installation
- Tolerances allow for mating with Metric DIN Guide Bushings
- Custom sizes available upon request



SPECIFICATIONS	
Actual Pin Diameter Tolerance	g6
H Head Diameter Tolerance	-0.20
L Length Tolerance	+/-0.2
S Shoulder Length Tolerance	-0.5 / -1.0
SD Shoulder Diameter Tolerance	e7
T Head Thickness Tolerance	-0.05 / -0.25



Standard: Metric DIN

Material: 1.7131 (AISI 5115 Type) Steel

Surface Treatment: Case-hardened 58 - 62 HRC & Finish Ground

● Stocked items

■ 2-3 Week Delivery

CATALOG NO.	D	SD	H	T	S	L																
						020	025	030	035	040	045	050	055	065	070	075	085	090	095	105	110	
GDP-ES-15-022-	15	20	25	6	22	■			■	■	■	■	■	■	■	■	■	■	■	■		
GDP-ES-15-027-					27	■			■	■	■	■	■	■	■	■	■	■	■	■	■	
GDP-ES-15-036-					36	■			■	■	■	■	■	■	■	■	■	■	■	■	■	■
GDP-ES-15-046-					46	■			■	■	■	■	■	■	■	■	■	■	■	■	■	■
GDP-ES-15-056-					56				■	■	■	■	■	■	■	■	■	■	■	■	■	■
GDP-ES-15-066-					66								■	■	■	■	■	■	■	■	■	■
GDP-ES-15-076-					76																	
GDP-ES-15-086-					86																	

Add length to end of catalog number (i.e. GDP-ES-15-022-020)

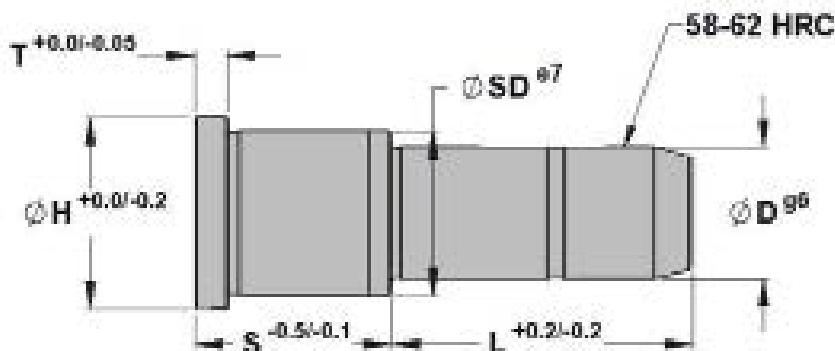
Continued on next page

Metric DIN Guide Pins - without Collar

- Provides initial alignment of cavity and core halves
- Press-fit installation
- Tolerances allow for mating with Metric DIN Guide Bushings
- Custom sizes available upon request



SPECIFICATIONS	
Actual Pin Diameter Tolerance	g6
H Head Diameter Tolerance	-0.20
L Length Tolerance	+/-0.2
S Shoulder Length Tolerance	-0.5 / -1.0
SD Shoulder Diameter Tolerance	e7
T Head Thickness Tolerance	-0.05 / -0.25



Standard: Metric DIN

Material: 1.7131 (AISI 5115 Type) Steel

Surface Treatment: Case-hardened 58 - 62 HRC & Finish Ground

Stocked items

2-3 Week Delivery

CATALOG NO.	D	SD	H	T	S	L																												
						020	025	035	040	045	050	055	060	065	070	075	080	085	095	105	115	125	135	155	165									
GDP-ES-18-022-	18	26	31	6	22																													
GDP-ES-18-027-					27																													
GDP-ES-18-036-					36																													
GDP-ES-18-046-					46																													
GDP-ES-18-056-					56																													
GDP-ES-18-066-					66																													
GDP-ES-18-076-					76																													
GDP-ES-18-086-					86																													
GDP-ES-18-096-					96																													
GDP-ES-18-116-					116																													

Add length to end of catalog number (i.e. GDP-ES-18-022-020)

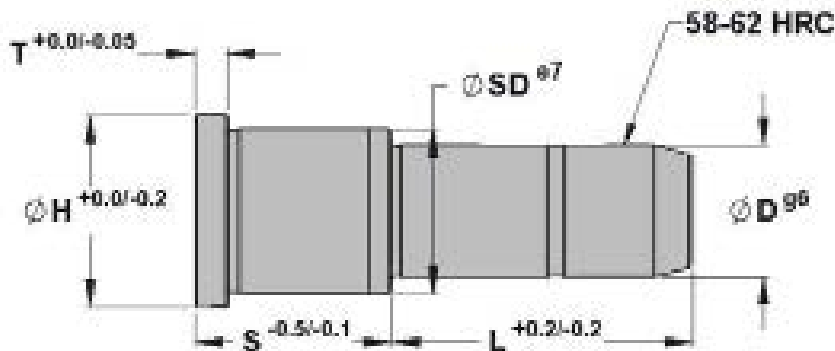
Continued on next page

Metric DIN Guide Pins - without Collar

- Provides initial alignment of cavity and core halves
- Press-fit installation
- Tolerances allow for mating with Metric DIN Guide Bushings
- Custom sizes available upon request



SPECIFICATIONS	
Actual Pin Diameter Tolerance	g6
H Head Diameter Tolerance	-0.20
L Length Tolerance	+/-0.2
S Shoulder Length Tolerance	-0.5 / -1.0
SD Shoulder Diameter Tolerance	e7
T Head Thickness Tolerance	-0.05 / -0.25



Standard: Metric DIN

Material: 1.7131 (AISI 5115 Type) Steel

Surface Treatment: Case-hardened 58 - 62 HRC & Finish Ground

● Stocked items

■ 2-3 Week Delivery

CATALOG NO.	D	SD	H	T	S	L																						
						020	025	035	040	045	050	055	060	065	070	075	080	085	095	105	115	125	135	155	165			
GDP-ES-20-022-	20	26	31	6	22	■																						
GDP-ES-20-027-					27	■																						
GDP-ES-20-036-					36	■	●																					
GDP-ES-20-046-					46	■		●																				●
GDP-ES-20-056-					56	■			●																			
GDP-ES-20-066-					66	■				●																		
GDP-ES-20-076-					76	■																						
GDP-ES-20-086-					86	■																						
GDP-ES-20-096-					96	■																						
GDP-ES-20-116-					116	■																						

Add length to end of catalog number (i.e. GDP-ES-20-022-020)

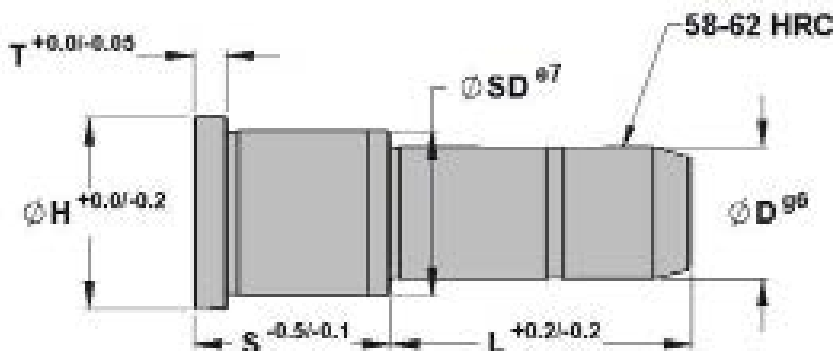
Continued on next page

Metric DIN Guide Pins - without Collar

- Provides initial alignment of cavity and core halves
- Press-fit installation
- Tolerances allow for mating with Metric DIN Guide Bushings
- Custom sizes available upon request



SPECIFICATIONS	
Actual Pin Diameter Tolerance	g6
H Head Diameter Tolerance	-0.20
L Length Tolerance	+/-0.2
S Shoulder Length Tolerance	-0.5 / -1.0
SD Shoulder Diameter Tolerance	e7
T Head Thickness Tolerance	-0.05 / -0.25



Standard: Metric DIN

Material: 1.7131 (AISI 5115 Type) Steel

Surface Treatment: Case-hardened 58 - 62 HRC & Finish Ground

● Stocked items

■ 2-3 Week Delivery

CATALOG NO.	D	SD	H	T	S	L																						
						020	025	035	040	045	050	055	060	065	070	075	080	085	095	105	115	125	135	155	165			
GDP-ES-22-027-	22	30	35	6	27	■			●	■	■	■	■	■	■	■	■	■	■	■	■	■	■	■				
GDP-ES-22-036-					36	■			●	■	■	■	■	■	■	■	■	■	■	■	■	■	■	■	■	■	■	
GDP-ES-22-046-					46	■			●	■	■	■	■	■	■	■	■	■	■	■	■	■	■	■	■	■	■	■
GDP-ES-22-056-					56	■			●	■	■	■	■	■	■	■	■	■	■	■	■	■	■	■	■	■	■	■
GDP-ES-22-066-					66	■			●	■	■	■	■	■	■	■	■	■	■	■	■	■	■	■	■	■	■	■
GDP-ES-22-076-					76	■			■	■	■	■	■	■	■	■	■	■	■	■	■	■	■	■	■	■	■	■
GDP-ES-22-086-					86	■			■	■	■	■	■	■	■	■	■	■	■	■	■	■	■	■	■	■	■	■
GDP-ES-22-096-					96	■			■	■	■	■	■	■	■	■	■	■	■	■	■	■	■	■	■	■	■	■
GDP-ES-22-116-					116	■			■	■	■	■	■	■	■	■	■	■	■	■	■	■	■	■	■	■	■	■
GDP-ES-22-136-					136	■			■	■	■	■	■	■	■	■	■	■	■	■	■	■	■	■	■	■	■	■

Add length to end of catalog number (i.e. GDP-ES-22-027-025)

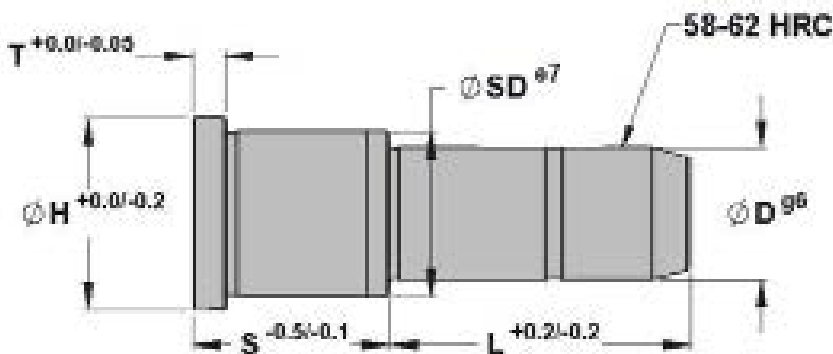
Continued on next page

Metric DIN Guide Pins - without Collar

- Provides initial alignment of cavity and core halves
- Press-fit installation
- Tolerances allow for mating with Metric DIN Guide Bushings
- Custom sizes available upon request



SPECIFICATIONS	
Actual Pin Diameter Tolerance	g6
H Head Diameter Tolerance	-0.20
L Length Tolerance	+/-0.2
S Shoulder Length Tolerance	-0.5 / -1.0
SD Shoulder Diameter Tolerance	e7
T Head Thickness Tolerance	-0.05 / -0.25



Standard: Metric DIN

Material: 1.7131 (AISI 5115 Type) Steel

Surface Treatment: Case-hardened 58 - 62 HRC & Finish Ground

- Stocked items
- 2-3 Week Delivery

CATALOG NO.	D	SD	H	T	S	L																					
						025	045	050	055	060	065	070	075	080	085	095	105	115	125	135	155	165	175	195			
GDP-ES-24-027-	24	30	35	6	27		•																				
GDP-ES-24-036-					36	•		•																			
GDP-ES-24-046-					46	•																					
GDP-ES-24-056-					56																						
GDP-ES-24-066-					66																						
GDP-ES-24-076-					76																						
GDP-ES-24-086-					86																						
GDP-ES-24-096-					96																						
GDP-ES-24-116-					116																						
GDP-ES-24-136-					136																						

Add length to end of catalog number (i.e. GDP-ES-24-027-025)

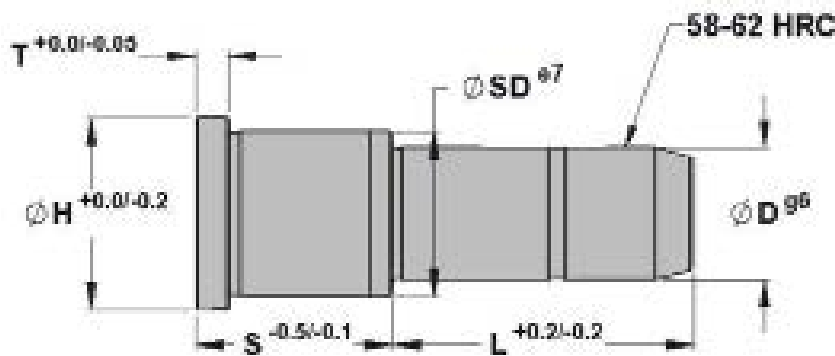
Continued on next page

Metric DIN Guide Pins - without Collar

- Provides initial alignment of cavity and core halves
- Press-fit installation
- Tolerances allow for mating with Metric DIN Guide Bushings
- Custom sizes available upon request



SPECIFICATIONS	
Actual Pin Diameter Tolerance	g6
H Head Diameter Tolerance	-0.20
L Length Tolerance	+/-0.2
S Shoulder Length Tolerance	-0.5 / -1.0
SD Shoulder Diameter Tolerance	e7
T Head Thickness Tolerance	-0.05 / -0.25



Standard: Metric DIN

Material: 1.7131 (AISI 5115 Type) Steel

Surface Treatment: Case-hardened 58 - 62 HRC & Finish Ground

- Stocked items
- 2-3 Week Delivery

CATALOG NO.	D	SD	H	T	S	L																			
						025	045	050	055	060	065	070	075	080	085	095	105	115	125	135	155	165	175	195	
GDP-ES-30-027-	30	42	47	6	27	■				■					■				■	■					
GDP-ES-30-036-					36																				
GDP-ES-30-046-					46	■																			
GDP-ES-30-056-					56						●														
GDP-ES-30-066-					66																				
GDP-ES-30-076-					76																				
GDP-ES-30-086-					86																				
GDP-ES-30-096-					96																				
GDP-ES-30-116-					116																				
GDP-ES-30-136-					136																				
GDP-ES-30-156-					156																				
GDP-ES-30-196-					196																				■

Add length to end of catalog number (i.e. GDP-ES-30-027-045)

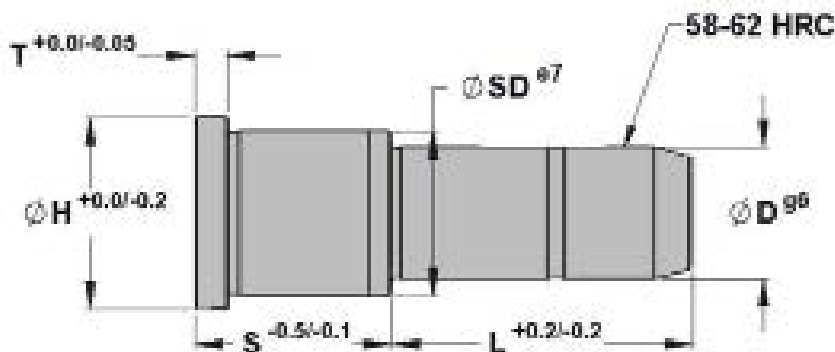
Continued on next page

Metric DIN Guide Pins - without Collar

- Provides initial alignment of cavity and core halves
- Press-fit installation
- Tolerances allow for mating with Metric DIN Guide Bushings
- Custom sizes available upon request



SPECIFICATIONS	
Actual Pin Diameter Tolerance	g6
H Head Diameter Tolerance	-0.20
L Length Tolerance	+/-0.2
S Shoulder Length Tolerance	-0.5 / -1.0
SD Shoulder Diameter Tolerance	e7
T Head Thickness Tolerance	-0.05 / -0.25



Standard: Metric DIN

Material: 1.7131 (AISI 5115 Type) Steel

Surface Treatment: Case-hardened 58 - 62 HRC & Finish Ground

● Stocked items

■ 2-3 Week Delivery

CATALOG NO.	D	SD	H	T	S	L																	
						045	055	065	075	095	105	115	135	155	165	175	195	215	235				
GDP-ES-32-027-	32	42	47	6	27	■		■			■				■								
GDP-ES-32-036-					36		■																
GDP-ES-32-056-					56	●		●															
GDP-ES-32-066-					66	●		●															
GDP-ES-32-076-					76			●															
GDP-ES-32-086-					86	●		●															
GDP-ES-32-096-					96																		
GDP-ES-32-116-					116							●			●								
GDP-ES-32-136-					136								■										
GDP-ES-32-156-					156																		
GDP-ES-32-196-					196																		

Add length to end of catalog number (i.e. GDP-ES-32-027-045)

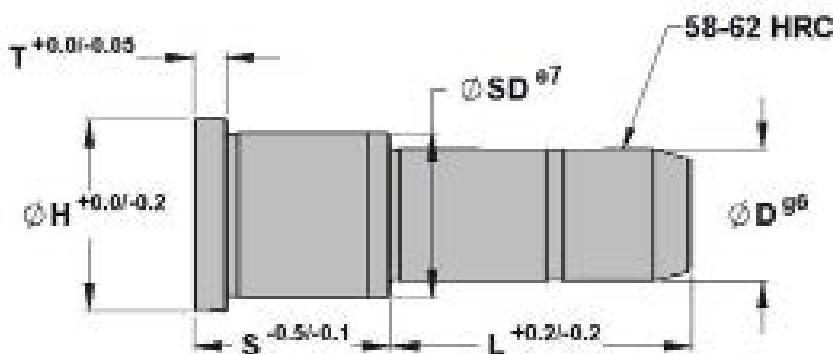
Continued on next page

Metric DIN Guide Pins - without Collar

- Provides initial alignment of cavity and core halves
- Press-fit installation
- Tolerances allow for mating with Metric DIN Guide Bushings
- Custom sizes available upon request



SPECIFICATIONS	
Actual Pin Diameter Tolerance	g6
H Head Diameter Tolerance	-0.20
L Length Tolerance	+/-0.2
S Shoulder Length Tolerance	-0.5 / -1.0
SD Shoulder Diameter Tolerance	e7
T Head Thickness Tolerance	-0.05 / -0.25



Standard: Metric DIN

Material: 1.7131 (AISI 5115 Type) Steel

Surface Treatment: Case-hardened 58 - 62 HRC & Finish Ground

● Stocked items

■ 2-3 Week Delivery

CATALOG NO.	D	SD	H	T	S	L																
						045	055	065	075	095	105	115	135	155	165	175	195	215	235			
GDP-ES-40-056-	40	54	60	10	56				■			■		■			■					
GDP-ES-40-066-					66																	
GDP-ES-40-076-					76																	
GDP-ES-40-086-					86																	
GDP-ES-40-096-					96																	
GDP-ES-40-116-					116								■									■
GDP-ES-40-136-					136																	■
GDP-ES-40-156-					156																	■
GDP-ES-40-196-					196																	■

Add length to end of catalog number (i.e. GDP-ES-40-056-075)

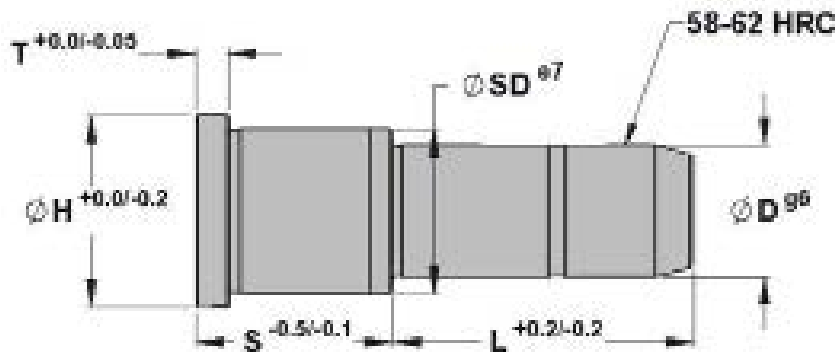
Continued on next page

Metric DIN Guide Pins - without Collar

- Provides initial alignment of cavity and core halves
- Press-fit installation
- Tolerances allow for mating with Metric DIN Guide Bushings
- Custom sizes available upon request



SPECIFICATIONS	
Actual Pin Diameter Tolerance	g6
H Head Diameter Tolerance	-0.20
L Length Tolerance	+/-0.2
S Shoulder Length Tolerance	-0.5 / -1.0
SD Shoulder Diameter Tolerance	e7
T Head Thickness Tolerance	-0.05 / -0.25



Standard: Metric DIN

Material: 1.7131 (AISI 5115 Type) Steel

Surface Treatment: Case-hardened 58 - 62 HRC & Finish Ground

- Stocked items
- 2-3 Week Delivery

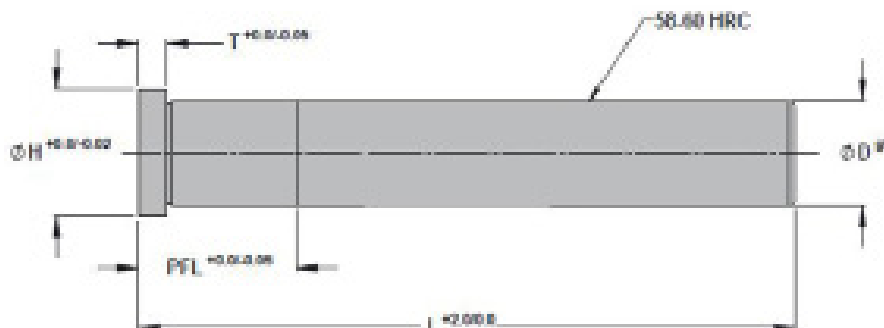
CATALOG NO.	D	SD	H	T	S	L																		
						045	055	065	075	095	105	115	135	155	165	175	195	215	235					
GDP-ES-42-056-	42	54	60	10	56				■			■		■				■						
GDP-ES-42-066-					66						■													
GDP-ES-42-076-					76						■								■					
GDP-ES-42-086-					86						■					■								
GDP-ES-42-096-					96						■				■		■							
GDP-ES-42-116-					116							■				■						■		
GDP-ES-42-136-					136								■			■							■	
GDP-ES-42-156-					156										■		■						■	
GDP-ES-42-196-					196													■				■		■

Add length to end of catalog number (i.e. GDP-ES-42-056-075)

Metric DIN Leader Pins

- Provides initial alignment of cavity and core halves
- Press-fit installation
- Custom sizes available upon request

SPECIFICATIONS	
D Pin Diameter Tolerance	-.025/-.030
PF Press Fit Diameter Tolerance	+.025/+.038
H Head Diameter Tolerance	+.00/-.25
T Head Thickness Tolerance	+.00/-.13
PFL Press Fit Length Tolerance	+.0/-.05
L Length Tolerance	-.76/-1.52



Standard: Metric DIN

Material: 4150 Steel

Surface Treatment: Case-hardened 58 - 60 HRC & Finish Ground

LENGTH L	D = 20 MM		D = 25 MM		D = 30 MM		D = 40 MM		D = 50 MM		D = 60 MM	
	PFL	CATALOG NO.	PFL	CATALOG NO.	PFL	CATALOG NO.	PFL	CATALOG NO.	PFL	CATALOG NO.	PFL	CATALOG NO.
50	25	MLP-20 X 50	25	MLP-25 X 50								
60	25	MLP-20 X 60	25	MLP-25 X 60								
70	25	MLP-20 X 70	25	MLP-25 X 70	25	MLP-30 X 70						
80	25	MLP-20 X 80	25	MLP-25 X 80	25	MLP-30 X 80						
90	25	MLP-20 X 90	25	MLP-25 X 90	25	MLP-30 X 90	35	MLP-40 X 90				
100	25	MLP-20 X 100	25	MLP-25 X 100	25	MLP-30 X 100	35	MLP-40 X 100				
120	35	MLP-20 X 120	35	MLP-25 X 120	35	MLP-30 X 120	35	MLP-40 X 120				
140	35	MLP-20 X 140	35	MLP-25 X 140	35	MLP-30 X 140	35	MLP-40 X 140				
150									45	MLP-50 X 150	60	MLP-60 X 150
160	45	MLP-20 X 160	35	MLP-25 X 160	35	MLP-30 X 160	35	MLP-40 X 160				
175									45	MLP-50 X 175	60	MLP-60 X 175
180	45	MLP-20 X 180	45	MLP-25 X 180	45	MLP-30 X 180	45	MLP-40 X 180				
200	45	MLP-20 X 200	45	MLP-25 X 200	45	MLP-30 X 200	45	MLP-40 X 200	45	MLP-50 X 200	60	MLP-60 X 200
220	45	MLP-20 X 220	45	MLP-25 X 220	45	MLP-30 X 220	45	MLP-40 X 220				
225									45	MLP-50 X 225	60	MLP-60 X 225
240	45	MLP-20 X 240	45	MLP-25 X 240	45	MLP-30 X 240	45	MLP-40 X 240				
250									45	MLP-50 X 250	60	MLP-60 X 250
260			45	MLP-25 X 260	45	MLP-30 X 260	45	MLP-40 X 260				

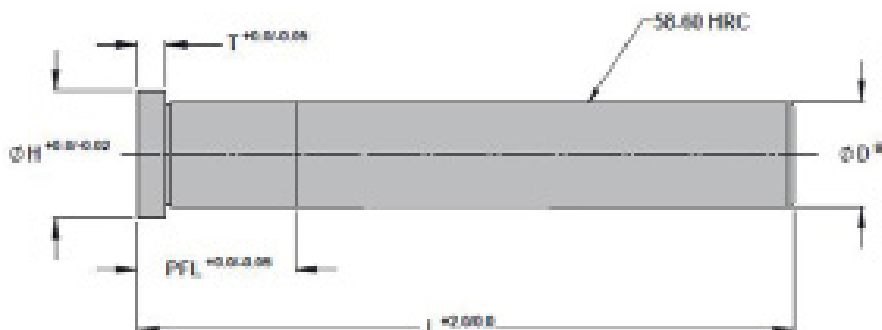
Continued on next page

Metric DIN Leader Pins

- Provides initial alignment of cavity and core halves
- Press-fit installation
- Custom sizes available upon request



SPECIFICATIONS	
D Pin Diameter Tolerance	-.025/-.030
PF Press Fit Diameter Tolerance	+.025/+.038
H Head Diameter Tolerance	+.00/-.25
T Head Thickness Tolerance	+.00/-.13
PFL Press Fit Length Tolerance	+.0/-.05
L Length Tolerance	-.76/-1.52



Standard: Metric DIN

Material: 4150 Steel

Surface Treatment: Case-hardened 58 - 60 HRC & Finish Ground

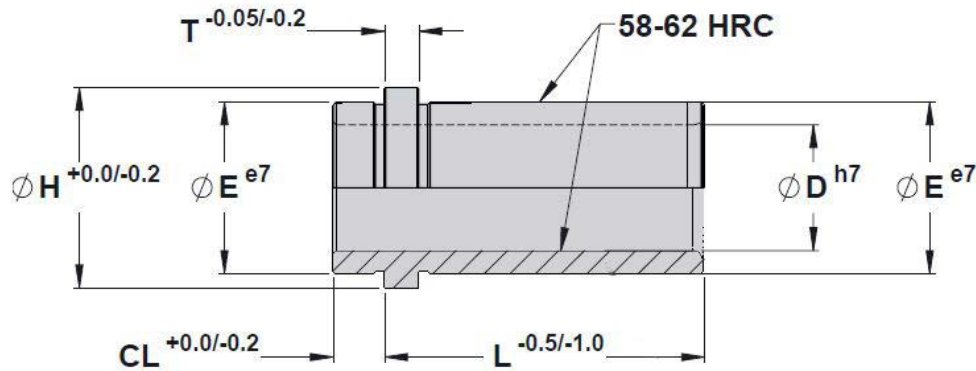
LENGTH L	D = 20 MM		D = 25 MM		D = 30 MM		D = 40 MM		D = 50 MM		D = 60 MM	
	PFL	CATALOG NO.	PFL	CATALOG NO.	PFL	CATALOG NO.	PFL	CATALOG NO.	PFL	CATALOG NO.	PFL	CATALOG NO.
275									45	MLP-50 X 275	60	MLP-60 X 275
280			45	MLP-25 X 280	45	MLP-30 X 280	45	MLP-40 X 280				
300			45	MLP-25 X 300	45	MLP-30 X 300	45	MLP-40 X 300	45	MLP-50 X 300	60	MLP-60 X 300
325									45	MLP-50 X 325	60	MLP-60 X 325
350									45	MLP-50 X 350	60	MLP-60 X 350
375									45	MLP-50 X 375	60	MLP-60 X 375
400									45	MLP-50 X 400	60	MLP-60 X 400

Metric DIN Guide Pin Bushings - With Collar

- Eliminates galling to Guide Pins
- Custom sizes available upon request



SPECIFICATIONS	
D I.D. Tolerance	H7
E O.D. Tolerance	e7
H Head Diameter Tolerance	0.0 / -0.2
T Head Thickness Tolerance	-0.05 / -0.20
Collar Length Tolerance	0.0 / -0.2
L Length Tolerance	-0.5/-1.0



Standard: Metric DIN

Material: 1.7131 (AISI 5115 Type) Steel

Surface Treatment: Case-hardened 58 - 62 HRC & Finish Ground

● Stocked items

■ 2-3 Week Delivery

CATALOG NO.	D	E	H	T	CL	L												
						017	022	027	036	046	056	066	076	086	096	116	136	156
GDB-ECS-14-	14	20	25	6	9	●	●	●	●	●								
GDB-ECS-15-	15					●	●	●	●	●								
GDB-ECS-18-	18	26	31	6	9		●	●	●	●	●	●						
GDB-ECS-20-	20					●	●	●	●	●	●							
GDB-ECS-22-	22	30	35	6	9		●	●	●	●	●	●	●					
GDB-ECS-24-	24					●	●	●	●	●	●	●	●					
GDB-ECS-30-	30	42	47	6	9					●	●	●	●	●				
GDB-ECS-32-	32									●	●	●	●	●	●			
GDB-ECS-40-	40	54	60	10	12													
GDB-ECS-42-	42																	

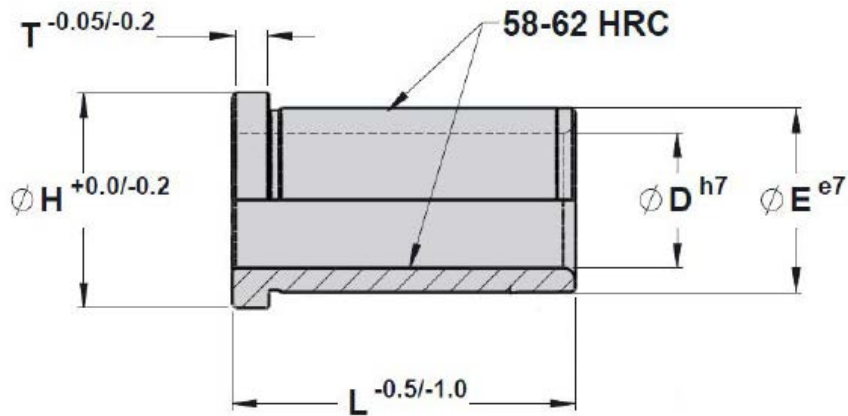
Add length to end of item number (i.e. GDB-ECS-14-017)

Metric DIN Guide Pin Bushings - Without Collar

- Eliminates galling to Guide Pins
- Custom sizes available upon request



SPECIFICATIONS	
D I.D. Tolerance	H7
E O.D. Tolerance	e7
H Head Diameter Tolerance	0.0 / -0.2
T Head Thickness Tolerance	-0.05 / -0.20
Collar Length Tolerance	0.0 / -0.2
L Length Tolerance	-0.5/-1.0



Standard: Metric DIN

Material: 1.7131 (AISI 5115 Type) Steel

Surface Treatment: Case-hardened 58 - 62 HRC & Finish Ground

● Stocked items

■ 2-3 Week Delivery

CATALOG NO.	D	E	H	T	L															
					009	012	017	022	027	036	046	056	066	076	086	096	116	136	156	246
GDB-ESS-09-09	09	14	16	6	■	■	■	■	■	■	■	■	■	■	■	■	■	■	■	■
GDB-ESS-10-10	10				■	■	■	■	■	■	■	■	■	■	■	■	■	■	■	■
GDB-ESS-14-14	14	20	25	6	■	■	■	■	●	●	●	●	■	■	■	■	■	■	■	■
GDB-ESS-15-15	15				■	■	■	■	■	■	■	■	■	■	■	■	■	■	■	■
GDB-ESS-18-18	18	26	31	6	■	■	■	■	■	■	■	■	■	■	■	■	■	■	■	■
GDB-ESS-20-20	20				■	■	■	■	■	■	■	■	■	■	■	■	■	■	■	■
GDB-ESS-22-22	22	30	35	6	■	■	■	■	■	■	■	■	■	■	■	■	■	■	■	■
GDB-ESS-24-24	24				■	■	■	■	■	■	■	■	■	■	■	■	■	■	■	■
GDB-ESS-30-30	30	42	47	6	■	■	■	■	■	■	■	■	■	■	■	■	■	■	■	■
GDB-ESS-32-32	32				■	■	■	■	■	■	■	■	■	■	■	■	■	■	■	■
GDB-ESS-40-40	40	54	60	10	■	■	■	■	■	■	■	■	■	■	■	■	■	■	■	■
GDB-ESS-42-42	42				■	■	■	■	■	■	■	■	■	■	■	■	■	■	■	■

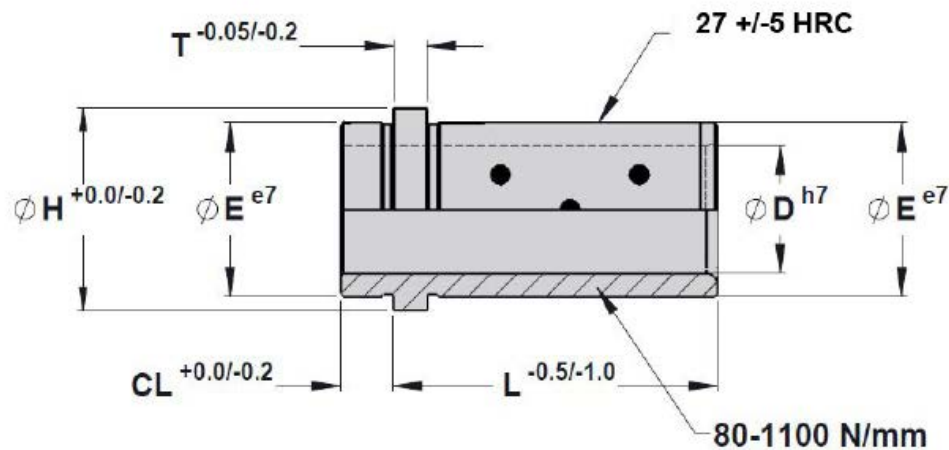
Add length to end of catalog number (i.e. GDB-ESS-09-009)

Metric DIN Self-Lube Guide Pin Bushings - With Collar

- Eliminates galling to Guide Pins
- Does not require grease
- Custom sizes available upon request



SPECIFICATIONS	
D I.D. Tolerance	H7
E O.D. Tolerance	k6
H Head Diameter Tolerance	0.0 / -0.2
T Head Thickness Tolerance	0.0 / -0.2
Collar Length Tolerance	-0.05 / -0.20
L Length Tolerance	-0.5 / -1.0



Standard: Metric DIN
Material: 2.0975 Aluminum Bronze with graphite plugs
Surface Treatment: Finish Ground

- Stocked items
- 2-3 Week Delivery

CATALOG NO.	D	E	H	T	CL	L											
						017	022	027	036	046	056	066	076	086	096	116	136
GDB-ECL-09-	09	14	16	3	3			●	●								
GDB-ECL-10-	10							●	●								
GDB-ECL-14-	14	20	25	6	9			●	●	●							
GDB-ECL-15-	15							●	●	●							
GDB-ECL-18-	18	26	31	6	9			●	●	●	●						
GDB-ECL-20-	20							●	●	●	●						
GDB-ECL-22-	22	30	35	6	9			●	●	●	●	●					
GDB-ECL-24-	24							●	●	●	●	●					
GDB-ECL-30-	30	42	47	6	9									●	●		
GDB-ECL-32-	32															●	●
GDB-ECL-40	40	51	60	10	12												
GDB-ECL-42	42																

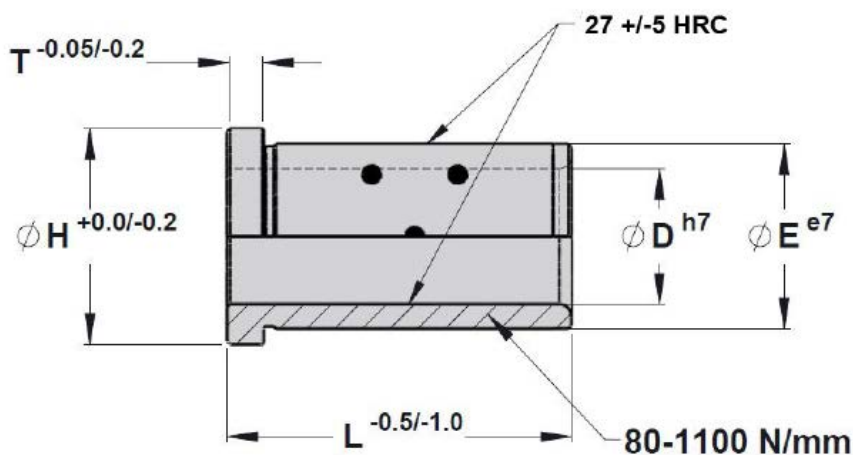
Add length to end of catalog number (i.e. GDB-ECL-09-017)

Metric DIN Self-Lube Guide Pin Bushings - Without Collar

- Eliminates galling to Guide Pins
- Does not require grease
- Custom sizes available upon request



SPECIFICATIONS	
E O.D. Tolerance	k6
D I.D. Tolerance	H7
H Head Diameter Tolerance	+0.0 / -0.2
T Head Thickness Tolerance	-0.05 / -0.20
L Length Tolerance	-0.5 / -1.0



Standard: Metric DIN
Material: 2.0975 Aluminum Bronze with graphite plugs
Surface Treatment: Finish Ground

- Stocked items
- 2-3 Week Delivery

CATALOG NO.	D	E	H	T	L											
					017	022	027	036	046	056	066	076	086	096	116	136
GDB-ESL-09	09	14	16	3	■	■	■	■								
GDB-ESL-10	10				■	■	■	■								
GDB-ESL-14	14	20	25	6	■	■	●	●	●	■						
GDB-ESL-15	15				■	■	■	■								
GDB-ESL-18	18	26	31	6		■	●	●	●		●					
GDB-ESL-20	20				■	■	■	■								
GDB-ESL-22	22	30	35	6		■	●	●	●		●	■				
GDB-ESL-24	24				■	■	■	■								
GDB-ESL-30	30	42	47	6			■	■	■				●	●		
GDB-ESL-32	32				■	■	■	■								
GDB-ESL-40	40	54	60	10						■	■	■	■	■	■	■
GDB-ESL-42	42				■	■	■	■								

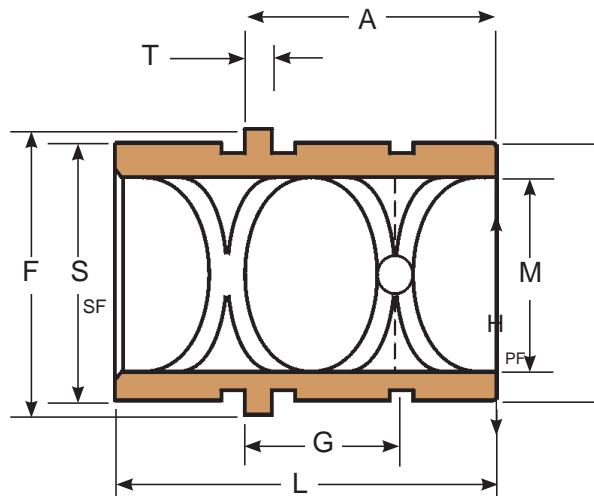
Add length to end of catalog number (i.e. GDB-ESL-09-017)

Metric DIN Bronze Plated - Guided Ejector Bushings

- Press-fit diameter ground to size
- Internal grease grooves help prevent galling
- Opposite end ground for ejector plate removal
- Plating thickness 0.10mm - 0.12mm
- Custom sizes available upon request



SPECIFICATIONS	
M I.D. Tolerance	+0.013 / +0.026
H Press Fit O.D. Tolerance	+0.013 / -0.000
L Length Tolerance	+0.00 / -0.78
F Rib O.D. Tolerance	+0.000 / -0.130
S Slip Fit O.D. Tolerance	+0.000 / -0.026
A Ejector Plate Length Tolerance	+0.00 / -0.38
G Lube Hole Location Tolerance	+0.38 / -0.38
T Rib Thickness	5
T Rib Thickness Tolerance	+0.00 / -0.13
Plating Thickness/ per side	0.10 mm - 0.12 mm



SF Slip-Fit
PF Press-Fit

Standard: Metric DIN
Material: Bronze Plated Steel
Surface Treatment: Finish Ground

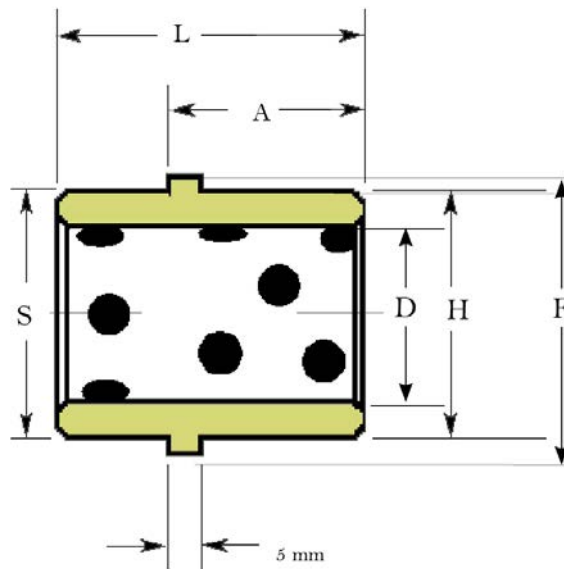
CATALOG NO.	M	H	L	F	S	A	G	T
EJM-20	20 mm	26 mm	37 mm	28 mm	26 mm	25 mm	15 mm	5 mm
EJM-25	25 mm	32 mm	45 mm	35 mm	32 mm	29 mm	16 mm	5 mm
EJM-30	30 mm	38 mm	45 mm	41 mm	38 mm	29 mm	16 mm	5 mm

Metric DIN Self-Lubricating Guided Ejector Bushings

- Finish Ground surface
- Resists abrasion
- Excellent wear characteristics
- Aluminum bronze with graphite plugs
- Custom sizes available upon request



SPECIFICATIONS	
D I.D. Tolerance	+0.013/+0.026
H Press Fit O.D. Tolerance	+0.013 / -.000
I.D. Tolerance	+0.013 / +0.026
S Slip Fit O.D. Tolerance	+0.000 / -.026
F Rib O.D. Tolerance	+0.00 / -.13
A Ejector Plate Length Tolerance	+0.00 / -.38
L Length Tolerance	+0.00 / -.76
T Rib Thickness	5 mm
T Rib Thickness Tolerance	+0.00 / -.13



Standard: Metric DIN

Material: 2.0975 Aluminum Bronze with graphite plugs

Surface Treatment: Finish Ground

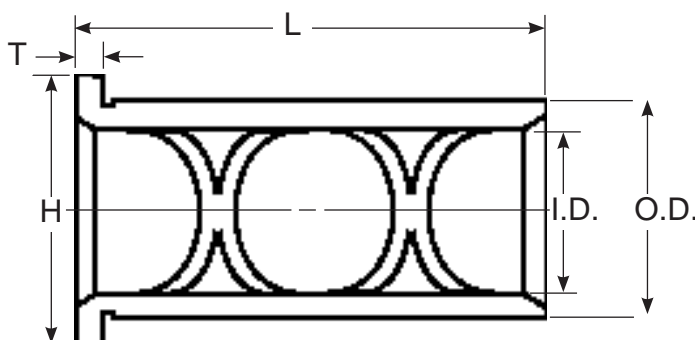
CATALOG NO.	D	H	S	F	A	L
MME-20	20 mm	26 mm	26 mm	28 mm	25 mm	37 mm
MME-25	25 mm	32 mm	32 mm	35 mm	29 mm	45 mm
MME-30	30 mm	38 mm	38 mm	41 mm	29 mm	45 mm

Metric DIN Shoulder Bushings - Bronze Plated

- Eliminates galling to Leader Pins
- Contains internal grease grooves
- Plating thickness of 0.10 mm - 0.12 mm
- Custom sizes available upon request



SPECIFICATIONS	
O.D. Tolerance	+0.013/-0.000 mm
I.D. Tolerance	+0.013/-0.000 mm
H Head Diameter Tolerance	+0.00/-0.13 mm
T Head Thickness	5.00 mm
T Head Thickness Tolerance	+0.00/-0.26 mm
L Length Tolerance	+0.00/-0.76 mm



Note: ID and OD sizes are ± 0.013 mm ± 0.026 mm

Standard: Metric DIN
Material: Bronze Plated Steel
Surface Treatment: Finish Ground

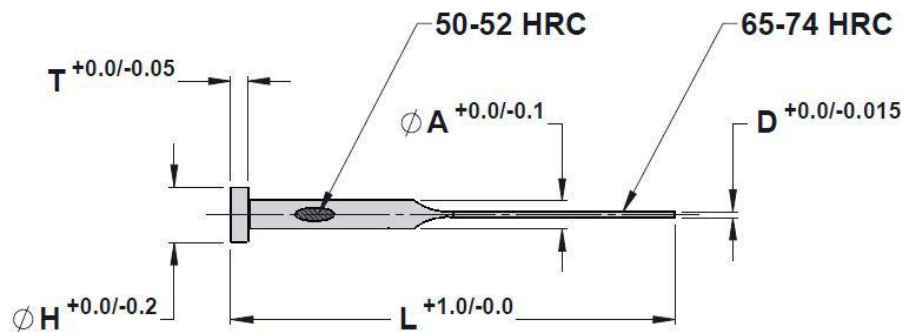
LENGTH L	I.D.					
	20 mm	25 mm	30 mm	40 mm	50 mm	60 mm
	H = 28 mm O.D. = 26	H = 35 O.D. = 32	H = 41 O.D. = 38	H = 53 O.D. = 50	H = 63 O.D. = 60	H = 73 O.D. = 70
25 mm	LBBM-20 X 25	LBBM-25 X 25	LBBM-30 X 25	LBBM-40 X 25		
30 mm	LBBM-20 X 30	LBBM-25 X 30	LBBM-30 X 30	LBBM-40 X 30	LBBM-50 X 30	LBBM-60 X 30
40 mm	LBBM-20 X 40	LBBM-25 X 40	LBBM-30 X 40	LBBM-40 X 40	LBBM-50 X 40	LBBM-60 X 40
50 mm	LBBM-20 X 50	LBBM-25 X 50	LBBM-30 X 50	LBBM-40 X 50	LBBM-50 X 50	LBBM-60 X 50
65 mm	LBBM-20 X 65	LBBM-25 X 65	LBBM-30 X 65	LBBM-40 X 65	LBBM-50 X 65	LBBM-60 X 65
80 mm	LBBM-20 X 80	LBBM-25 X 80	LBBM-30 X 80	LBBM-40 X 80	LBBM-50 X 80	LBBM-60 X 80
100 mm	LBBM-20 X 100	LBBM-25 X 100	LBBM-30 X 100	LBBM-40 X 100	LBBM-50 X 100	LBBM-60 X 100
120 mm	LBBM-20 X 120	LBBM-25 X 120	LBBM-30 X 120	LBBM-40 X 120	LBBM-50 X 120	LBBM-60 X 120
140 mm		LBBM-25 X 140	LBBM-30 X 140	LBBM-40 X 140	LBBM-50 X 140	LBBM-60 X 140
150 mm		LBBM-25 X 150	LBBM-30 X 150	LBBM-40 X 150	LBBM-50 X 150	LBBM-60 X 150

Metric DIN Nitrided Ejector Blades

- One piece construction to improve strength
- Core hardness 50 - 52 Rc
- Nitrided 65 - 74 Rc
- Heads annealed for easier machining
- Corner radius on blade cross-section can be special ordered
- Custom sizes available upon request



SPECIFICATIONS	
W Blade Width Tolerance	+0.000 / -0.015
D Blade Thickness Tolerance	+0.0 / -0.015
A Pin Diameter Tolerance	+0.00 / -0.10
H Head Diameter Tolerance	+0.00 / -0.20
T Head Thickness Tolerance	+0.00 / -0.05
BL Blade Length Tolerance	+2.00 / -0.00
Shoulder Length Tolerance	-1.0 / -0.2
L Overall Length Tolerance	+2.00 / -0.00
Etched for Identification	Yes



Standard: Metric DIN
Material: H-13 / 1.2344 Steel
Surface Treatment: Nitrided 65 - 74 HRC

- Stocked items
- 2-3 Week Delivery

CATALOG NO.	W BLADE WIDTH	D BLADE THICK.	A PIN DIA.	H HEAD DIA.	T HEAD THICK.	L OVERALL LENGTH									
						063	080	100	125	160	200	250	315	400	
						SHOULDER LENGTH									
						32	40	50	63	80	100	125	155	200	
MB03510-	3.5	1	4	8	3					●					
MB03512-	3.5	1.2	4	8	3			●							
MB03808-	3.8	0.8	4.2	8	3										
MB03810-	3.8	1	4.2	8	3	●				●					
MB03812-	3.8	1.2	4.2	8	3					●					
MB04510-	4.5	1	5	10	3				●	●					
MB04512-	4.5	1.2	5	10	3				●						

Add length to end of catalog number (i.e. MB03510-063)

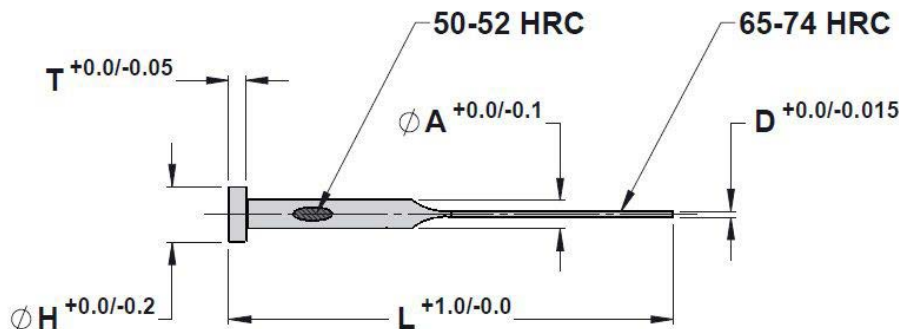
Continued on next page

Metric DIN Nitrided Ejector Blades

- One piece construction to improve strength
- Core hardness 50 - 52 Rc
- Nitrided 65 - 74 Rc
- Heads annealed for easier machining
- Corner radius on blade cross-section can be special ordered
- Custom sizes available upon request



SPECIFICATIONS	
W Blade Width Tolerance	+0.000 / -0.015
D Blade Thickness Tolerance	+0.0 / -0.015
A Pin Diameter Tolerance	+0.00 / -0.10
H Head Diameter Tolerance	+0.00 / -0.20
T Head Thickness Tolerance	+0.00 / -0.05
BL Blade Length Tolerance	+2.00 / -0.00
Shoulder Length Tolerance	-1.0 / -0.2
L Overall Length Tolerance	+2.00 / -0.00
Etched for Identification	Yes



Standard: Metric DIN
Material: H-13 / 1.2344 Steel
Surface Treatment: Nitrided 65 - 74 HRC

- Stocked items
- 2-3 Week Delivery

CATALOG NO.	W BLADE WIDTH	D BLADE THICK.	A PIN DIA.	H HEAD DIA.	T HEAD THICK.	L OVERALL LENGTH													
						063	080	100	125	160	200	250	315	400					
						SHOULDER LENGTH													
						32	40	50	63	80	100	125	155	200					
MB04515-	4.5	1.5	5	10	3		■	●	●	●	●								
MB05510-	5.5	1	6	12	5		■				●	■							
MB05512-	5.5	1.2	6	12	5		■		●	●	■								
MB05515-	5.5	1.5	6	12	5		■	●			●								
MB05520-	5.5	2	6	12	5		■												
MB07512-	7.5	1.2	8	14	5														
MB07515-	7.5	1.5	8	14	5					●		●							
MB07520-	7.5	2	8	14	5						●							●	
MB09515-	9.5	1.5	10	16	5														

Add length to end of catalog number (i.e. MB04515-080)

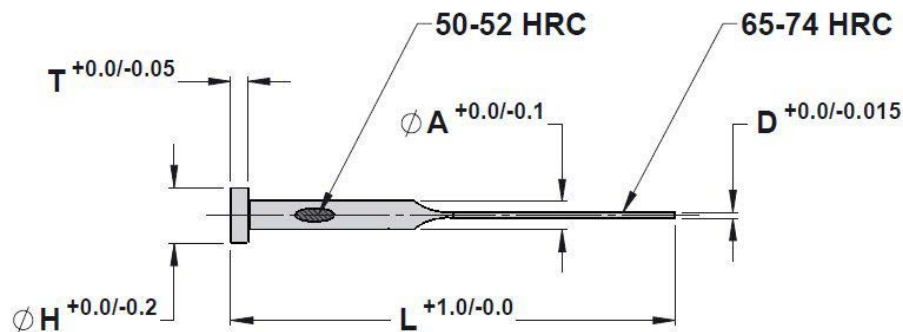
Continued on next page

Metric DIN Nitrided Ejector Blades



- One piece construction to improve strength
- Core hardness 50 - 52 Rc
- Nitrided 65 - 74 Rc
- Heads annealed for easier machining
- Corner radius on blade cross-section can be special ordered
- Custom sizes available upon request

SPECIFICATIONS	
W Blade Width Tolerance	+0.000 / -0.015
D Blade Thickness Tolerance	+0.0 / -0.015
A Pin Diameter Tolerance	+0.00 / -0.10
H Head Diameter Tolerance	+0.00 / -0.20
T Head Thickness Tolerance	+0.00 / -0.05
BL Blade Length Tolerance	+2.00 / -0.00
Shoulder Length Tolerance	-1.0 / -0.2
L Overall Length Tolerance	+2.00 / -0.00
Etched for Identification	Yes



Standard: Metric DIN

Material: H-13 / 1.2344 Steel

Surface Treatment: Nitrided 65 - 74 HRC

Stocked items

2-3 Week Delivery

CATALOG NO.	W BLADE WIDTH	D BLADE THICK.	A PIN DIA.	H HEAD DIA.	T HEAD THICK.	L OVERALL LENGTH									
						063	080	100	125	160	200	250	315	400	
						SHOULDER LENGTH									
						32	40	50	63	80	100	125	155	200	
MB09520-	9.5	2	10	16	5						●				
MB11520-	11.5	2	12	18	7										
MB11525-	11.5	2.5	12	18	7										
MB15520-	15.5	2	16	22	7										
MB15525-	15.5	2.5	16	22	7										

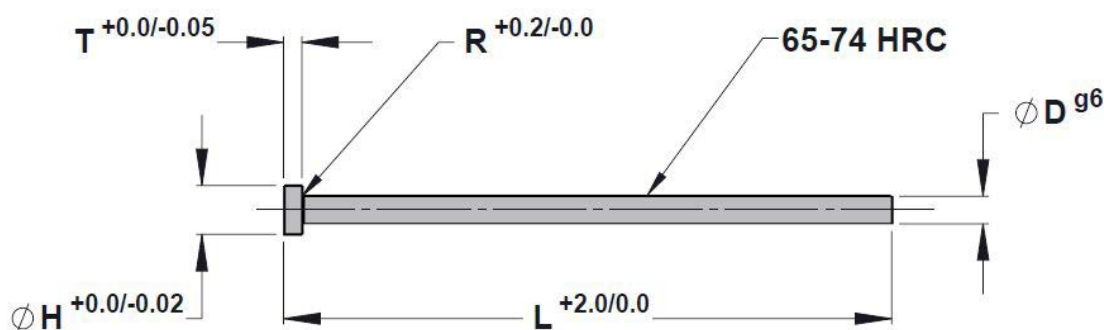
Add length to end of catalog number (i.e. MB09520-160)

Metric DIN Nitrided Ejector Pins

- Manufactured from premium hotwork steel
- Nitrided surface reduces galling
- Custom sizes available upon request



SPECIFICATIONS	
D Pin Diameter Tolerance	g6
H Head Diameter Tolerance	-0.2
T Head Thickness Tolerance	-0.05
R Pin to Head Radius Tolerance	+0.2
L Overall Length Tolerance	+ 2.0
Core Hardness	42 - 47 Rc
Etched for Identification	No



Standard: Metric DIN

Material: H-13 / 1.2344 Steel

Surface Treatment: Nitrided 65 - 74 HRC

● Stocked items

■ 2-3 Week Delivery

CATALOG NO.	D PIN DIA.	H HEAD DIA.	T HEAD THICK.	R RADIUS	L OVERALL LENGTH											
					100	125	160	200	250	315	400	500	630	800	1000	
MP012-	1.2	3	1.5	0.2	●		●									
MP015-	1.5	3	1.5	0.2	●	●	●	●								
MP016-	1.6	3	1.5	0.2												
MP02-	2	4	2	0.2	●	●	●	●	●	●						
MP022-	2.2	4	2	0.2		●		●		●						
MP025-	2.5	5	2	0.3		●	●	●		●						
MP027-	2.7	5	2	0.3		●	●	●		●						
MP03-	3	6	3	0.3	●	●	●	●	●	●	●	●				
MP032-	3.2	6	3	0.3		●	●	●		●	●					
MP035-	3.5	7	3	0.3		●	●	●		●	●					
MP037-	3.7	7	3	0.3		●	●			●	●					
MP04-	4	8	3	0.3	●	●	●	●	●	●	●	●				
MP041-	4.1	8	3	0.3												

Add length to end of catalog number (i.e. MP012-100)

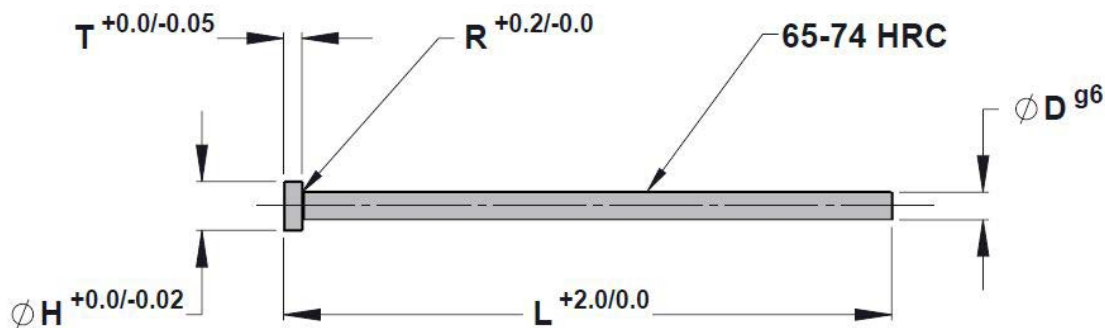
Continued on next page

Metric DIN Nitrided Ejector Pins

- Manufactured from premium hotwork steel
- Nitrided surface reduces galling
- Custom sizes available upon request



SPECIFICATIONS	
D Pin Diameter Tolerance	g6
H Head Diameter Tolerance	-0.2
T Head Thickness Tolerance	-0.05
R Pin to Head Radius Tolerance	+0.2
L Overall Length Tolerance	+ 2.0
Core Hardness	42 - 47 Rc
Etched for Identification	No



Standard: Metric DIN

Material: H-13 / 1.2344 Steel

Surface Treatment: Nitrided 65 - 74 HRC

- Stocked items
- 2-3 Week Delivery

CATALOG NO.	D PIN DIA.	H HEAD DIA.	T HEAD THICK.	R RADIUS	L OVERALL LENGTH										
					100	125	160	200	250	315	400	500	630	800	1000
MP042-	4.2	8	3	0.3	■	●	●	●	■	●	■				
MP045-	4.5	8	3	0.3	●	●	●	●	■	●	●				
MP05-	5	10	3	0.3	■	●	●	●	●	●	●	●	●	■	
MP052-	5.2	10	3	0.3	■			●	■	●	■				
MP055-	5.5	10	3	0.3	■	●	●	●	■	●	●	●			
MP06-	6	12	5	0.5	■	●	●	●	●	●	●	●	●	●	●
MP061-	6.1	12	5	0.5					■						
MP062-	6.2	12	5	0.5	●		●		●	●	●	●	●		
MP065-	6.5	12	5	0.5	■	●	●	●	■	●	●				
MP07-	7	12	5	0.5	■	●	●	●	■	●	●	●	■		
MP075-	7.5	12	5	0.5					■						
MP08-	8	14	5	0.5	■	●	●	●	●	●	●	●	●	●	●
MP082-	8.2	14	5	0.5	■	●	●	●	■	●	●	■			
MP085-	8.5	14	5	0.5	●	●	●	●	●	●	●	■			

Add length to end of catalog number (i.e. MP042-100)

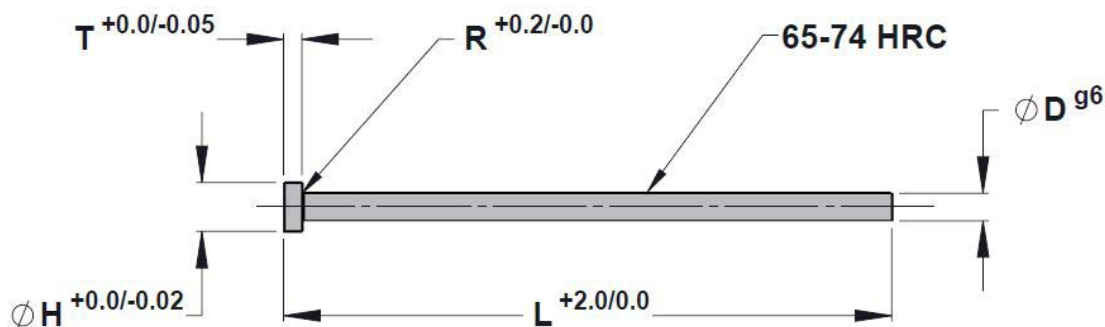
Continued on next page

Metric DIN Nitrided Ejector Pins

- Manufactured from premium hotwork steel
- Nitrided surface reduces galling
- Custom sizes available upon request



SPECIFICATIONS	
D Pin Diameter Tolerance	g6
H Head Diameter Tolerance	-0.2
T Head Thickness Tolerance	-0.05
R Pin to Head Radius Tolerance	+0.2
L Overall Length Tolerance	+ 2.0
Core Hardness	42 - 47 Rc
Etched for Identification	No



Standard: Metric DIN

Material: H-13 / 1.2344 Steel

Surface Treatment: Nitrided 65 - 74 HRC

- Stocked items
- 2-3 Week Delivery

CATALOG NO.	D PIN DIA.	H HEAD DIA.	T HEAD THICK.	R RADIUS	L OVERALL LENGTH										
					100	125	160	200	250	315	400	500	630	800	1000
MP09-	9	14	5	0.5	●	●	●	●		●	●	●			
MP095-	9.5	14	5	0.5											
MP10-	10	16	5	0.5		●	●	●	●	●	●	●	●	●	
MP102-	10.2	16	5	0.5	●	●									
MP105-	10.5	16	5	0.5	●	●	●	●	●						
MP11-	11	16	5	0.5		●	●	●		●					
MP12-	12	18	7	0.8		●	●	●	●	●	●	●	●	●	●
MP122-	12.2	18	7	0.8	●	●	●	●		●		●			
MP125-	12.5	18	7	0.8	●		●					●	●		
MP14-	14	22	7	0.8	●	●	●			●	●	●	●	●	
MP16-	16	22	7	0.8		●	●	●	●	●	●	●	●	●	
MP162-	16.2	22	7	0.8					●						
MP18-	18	24	7	0.8	●	●	●	●	●	●	●	●	●	●	●
MP20-	20	26	8	1	●	●	●	●	●	●	●	●	●	●	●
MP25-	25	32	10	1			●			●		●	●		
MP32-	32	40	10	1				●		●	●	●	●		

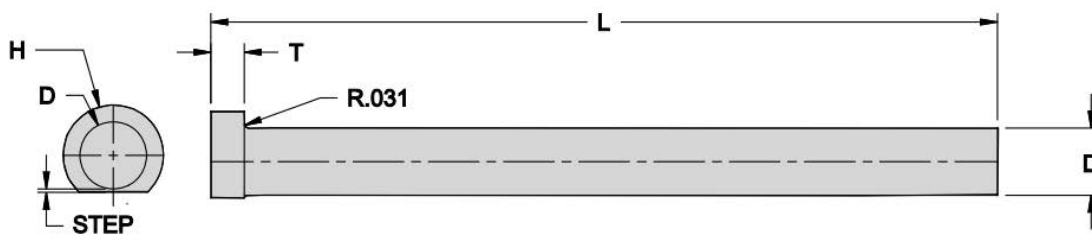
Add length to end of catalog number (i.e. MP09-100)

Metric DIN Nitrided Ejector Pins - D Head

- Manufactured from premium hotwork steel
- Nitrided surface reduces galling
- Custom sizes available upon request



SPECIFICATIONS	
D Pin Diameter Tolerance	g6
H Head Diameter Tolerance	-0.2
T Head Thickness Tolerance	-0.05
R Pin to Head Radius Tolerance	+0.2
L Overall Length Tolerance	+ 2.0
Step Tolerance	0 / +0.1
Core Hardness	42 - 47 Rc
Etched for Identification	No



Standard: Metric DIN

Material: H-13 / 1.2344 Steel

Surface Treatment: Nitrided 65 - 74 HRC

Stocked items

2-3 Week Delivery

CATALOG NO.	D PIN DIA.	H HEAD DIA.	T HEAD THICK.	R RADIUS	L OVERALL LENGTH						
					125	160	200	315	400	500	630
DMP025-	2.5	5	2	0.3	●						
DMP035-	3.5	7	3	0.3			●				
DMP05-	5	10	3	0.3	●	●	●	●	●		
DMP055-	5.5	10	3	0.3			●				
DMP06-	6	12	5	0.5	●	●	●				
DMP062-	6.2	12	5	0.5				●			
DMP07-	7	12	5	0.5				●			
DMP08-	8	14	5	0.5		●	●	●	●	●	●
DMP10-	10	16	5	0.5	●	●		●	●	●	
DMP125-	12.5	18	7	0.8	●					●	
DMP14-	14	22	7	0.8					●		
DMP18-	18	24	7	0.8					●		
DMP32-	32	40	10	1			●				

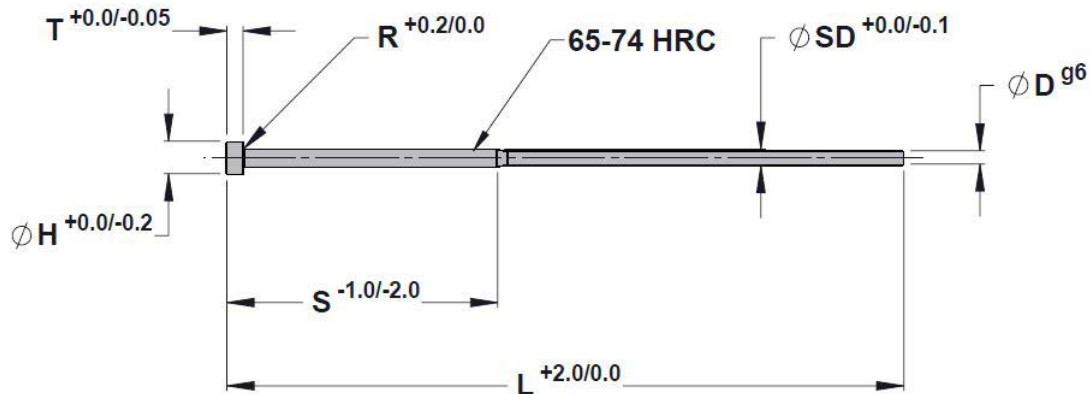
Add length to end of catalog number (i.e. DMP0025-125)

Metric DIN Nitrided Step Pins

- Manufactured from premium hotwork steel
- Nitrided surface reduces galling
- Heads annealed to reduce brittleness & allow for easier machining
- Custom sizes available upon request



SPECIFICATIONS	
D Pin Diameter Tolerance	g6
SD Shoulder Diameter Tolerance	-0.10
H Head Diameter Tolerance	-0.20
T Head Thickness Tolerance	-0.05
R Pin to Head Radius Tolerance	+0.2
S Shoulder Length Tolerance	-1.0/-2.0
L Overall Length Tolerance	+2.0
Core Hardness	50 - 52 Rc
Etched for Identification	Yes



● Stocked items

■ 2-3 Week Delivery

Standard: Metric DIN

Material: H-13 / 1.2344 Steel

Surface Treatment: Nitrided 65 - 74 HRC

CATALOG NO.	D PIN DIA.	SD SHOULDER DIA.	H HEAD DIA.	T HEAD THICK.	R RADIUS	L OVERALL LENGTH								
						80	100	120	125	140	160	200	250	
						S SHOULDER LENGTH								
						32	50	50	50	50	63	80	80	
MS07-2-	0.7	2	4	2	0.2		■		■					
MS08-2-	0.8	2	4	2	0.2	■			■		■			
MS09-2-	0.9	2	4	2	0.2				■		■			
MS10-2-	1	2	4	2	0.2	●		■		●	●	●		
MS10-3-	1	3	6	3	0.2				■		●	●		
MS11-2-	1.1	2	4	2	0.2				■		■			
MS12-2-	1.2	2	4	2	0.2					●	●	●		
MS13-2-	1.3	2	4	2	0.2						■			
MS14-2-	1.4	2	4	2	0.2					●	●	■		

Add length to end of catalog number (i.e. MS07-2-100)

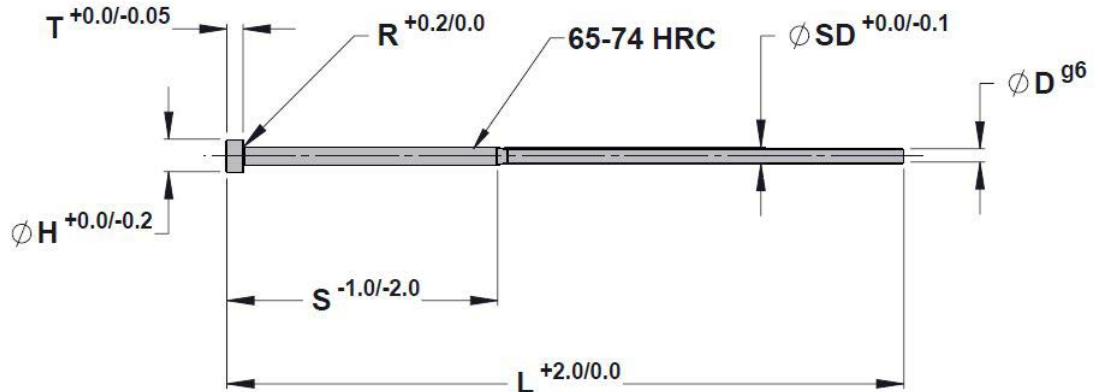
Continued on next page

Metric DIN Nitrided Step Pins

- Manufactured from premium hotwork steel
- Nitrided surface reduces galling
- Heads annealed to reduce brittleness & allow for easier machining
- Custom sizes available upon request



SPECIFICATIONS	
D Pin Diameter Tolerance	g6
SD Shoulder Diameter Tolerance	-0.10
H Head Diameter Tolerance	-0.20
T Head Thickness Tolerance	-0.05
R Pin to Head Radius Tolerance	+0.2
S Shoulder Length Tolerance	-1.0/-2.0
L Overall Length Tolerance	+2.0
Core Hardness	50 - 52 Rc
Etched for Identification	Yes



- Stocked items
- 2-3 Week Delivery

Standard: Metric DIN
Material: H-13 / 1.2344 Steel
Surface Treatment: Nitrided 65 - 74 HRC

CATALOG NO.	D PIN DIA.	SD SHOULDER DIA.	H HEAD DIA.	T HEAD THICK.	R RADIUS	L OVERALL LENGTH							
						80	100	120	125	140	160	200	250
						S SHOULDER LENGTH							
						32	50	50	50	50	63	80	80
MS15-3-	1.5	3	6	3	0.3	●				●	●	●	
MS16-3-	1.6	3	6	3	0.3								
MS17-3-	1.7	3	6	3	0.3						●	●	
MS18-3-	1.8	3	6	3	0.3						●	●	
MS19-3-	1.9	3	6	3	0.3								
MS20-3-	2	3	6	3	0.3						●	●	
MS21-3-	2.1	3	6	3	0.3								
MS22-3-	2.2	3	6	3	0.3					●	●	●	
MS24-3-	2.4	3	6	3	0.3								

Add length to end of catalog number (i.e. MS15-3-80)

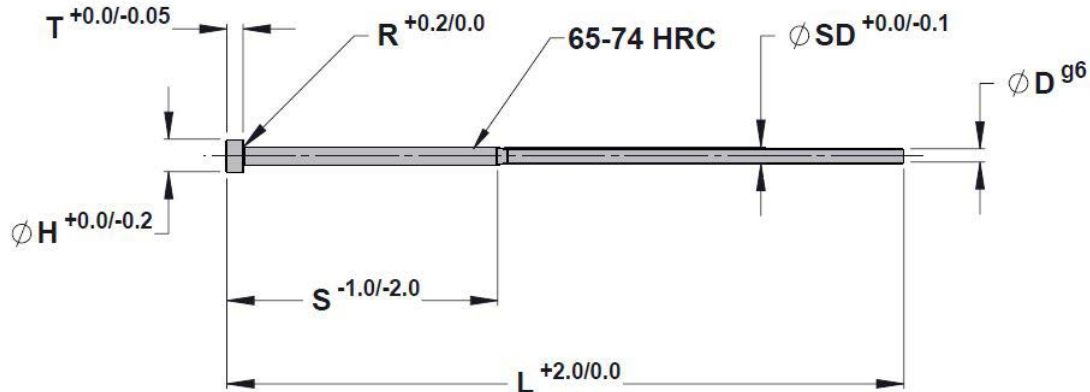
Continued on next page

Metric DIN Nitrided Step Pins

- Manufactured from premium hotwork steel
- Nitrided surface reduces galling
- Heads annealed to reduce brittleness & allow for easier machining
- Custom sizes available upon request



SPECIFICATIONS	
D Pin Diameter Tolerance	g6
SD Shoulder Diameter Tolerance	-0.10
H Head Diameter Tolerance	-0.20
T Head Thickness Tolerance	-0.05
R Pin to Head Radius Tolerance	+0.2
S Shoulder Length Tolerance	-1.0/-2.0
L Overall Length Tolerance	+2.0
Core Hardness	50 - 52 Rc
Etched for Identification	Yes



Standard: Metric DIN

Material: H-13 / 1.2344 Steel

Surface Treatment: Nitrided 65 - 74 HRC

● Stocked items

■ 2-3 Week Delivery

CATALOG NO.	D PIN DIA.	SD SHOULDER DIA.	H HEAD DIA.	T HEAD THICK.	R RADIUS	L OVERALL LENGTH								
						80	100	120	125	140	160	200	250	
						S SHOULDER LENGTH								
						32	50	50	50	50	63	80	80	
MS25-3-	2.5	3	6	3	0.3							●	●	
MS27-3-	2.7	3	6	3	0.3									
MS30-4-	3	4	8	3	0.4									
MS32-4-	3.2	4	8	3	0.4									
MS35-4-	3.5	4	8	3	0.4									

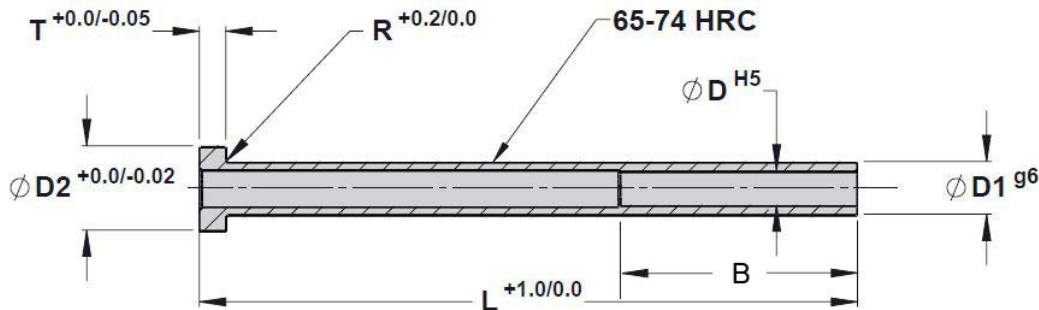
Add length to end of catalog number (i.e. MS25-3-100)

Metric DIN Nitrided Ejector Sleeves

- Nitrided O.D. and I.D. 65 - 74 Rc
- Custom sizes available upon request



SPECIFICATIONS	
D I.D. Tolerance	H5
D1 O.D. Tolerance	g6
D2 Head Diameter Tolerance	+0.000 / -.250
T Head Thickness Tolerance	+0.0000 / -.0508
B Bearing Length Tolerance	+2.00
R Pin to Head Radius Tolerance	+0.20
L Overall Length Tolerance	+0.813 / -.000
I.D. Hardness	65 - 74 Rc
O.D. Hardness	65 - 74 Rc



Standard: Metric DIN

Material: H-13 / 1.2344 Steel

Surface Treatment: Nitrided 65 - 74 HRC

Stocked items

2-3 Week Delivery

CATALOG NO.	D I.D.	D1 O.D.	D2 HEAD DIA.	T HEAD THICK.	B BEARING LENGTH	R RADIUS	L OVERALL LENGTH														
							75	100	125	150	175	200	225	250	275	300	350				
S315-	1.5	3	6	3	35	0.3				●											
S317-	1.7	3	6	3	35	0.3	●	●	●	●											
S420-	2.0	4	8	3	35	0.3		●		●	●	●									
S422-	2.2	4	8	3	35	0.3			●	●	●	●									
S525-	2.5	5	10	3	35	0.3				●	●	●	●	●							
S527-	2.7	5	10	3	45	0.3						●	●	●							
S530-	3.0	5	10	3	45	0.3			●	●	●	●	●	●							
S532-	3.2	5	10	3	45	0.3	●	●	●	●		●	●	●							
S635-	3.5	6	12	5	45	0.5					●	●	●	●							
S637-	3.7	6	12	5	45	0.5						●	●	●							
S640-	4.0	6	12	5	45	0.5		●	●	●		●		●							
S642-	4.2	6	14	5	45	0.5															
S842-	4.2	8	14	5	45	0.5	●							●	●						
S845-	4.5	8	14	5	45	0.5	●	●	●	●	●	●	●	●	●						

Add length to end of catalog number (i.e. S315-75)

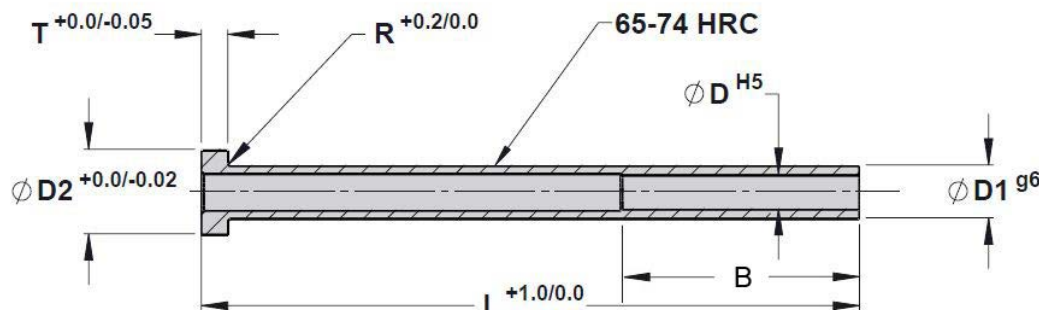
Continued on next page

Metric DIN Nitrided Ejector Sleeves

- Nitrided O.D. and I.D. 65 - 74 Rc
- Custom sizes available upon request



SPECIFICATIONS	
D I.D. Tolerance	H5
D1 O.D. Tolerance	g6
D2 Head Diameter Tolerance	+0.000 / -.250
T Head Thickness Tolerance	+0.0000 / -.0508
B Bearing Length Tolerance	+2.00
R Pin to Head Radius Tolerance	+0.20
L Overall Length Tolerance	+.813 / -.000
I.D. Hardness	65 - 74 Rc
O.D. Hardness	65 - 74 Rc



Standard: Metric DIN

Material: H-13 / 1.2344 Steel

Surface Treatment: Nitrided 65 - 74 HRC

● Stocked items

■ 2-3 Week Delivery

CATALOG NO.	D I.D.	D1 O.D.	D2 HEAD DIA.	T HEAD THICK.	B BEARING LENGTH	R RADIUS	L OVERALL LENGTH													
							75	100	125	150	175	200	225	250	275	300	350			
S850-	5.0	8	14	5	45	0.5	●	■	●	●	■	●	●	●						
S852-	5.2	8	14	5	45	0.5	■	●	●	●	●	■								
S1060-	6.0	10	16	5	45	0.5	●	●	■		●	●	●	■						
S1062-	6.2	10	16	5	45	0.5	■		●		●	●	■							
S1065-	6.5	10	16	5	45	0.8	●	●	●	●		■	●	●	●	●	●	●		
S1280-	8.0	12	18	7	45	0.8	■		●		●	●	●	■	●	●	●	●		
S1282-	8.2	12	18	7	45	0.8	■													
S1285-	8.5	12	18	7	45	0.8	●	●	●	●	●	●	●	●	●	●	●	●	●	
S1410-	10.0	14	22	7	45	0.8		●	●	■	●	●	●	■				●	●	
S14105-	10.5	14	22	7	55	0.8		●	●	●	●	●	●	●	■			●	●	
S1411-	11.0	14	22	7	55	0.8		●	●	●	●	●	●	●	●	●	●	●	●	
S1612-	12.0	16	22	7	55	0.8		●	●	●	●	●	●	●	●	●	●	●	●	
S16125-	12.5	16	22	7	55	0.8	■	●	●	●	●	●	●	●	●	●	●	●	●	●
S1814-	14.0	18	24	9	55	0.8		■		●		■	●	●	●	●	●	●	●	

Add length to end of catalog number (i.e. S850-75)

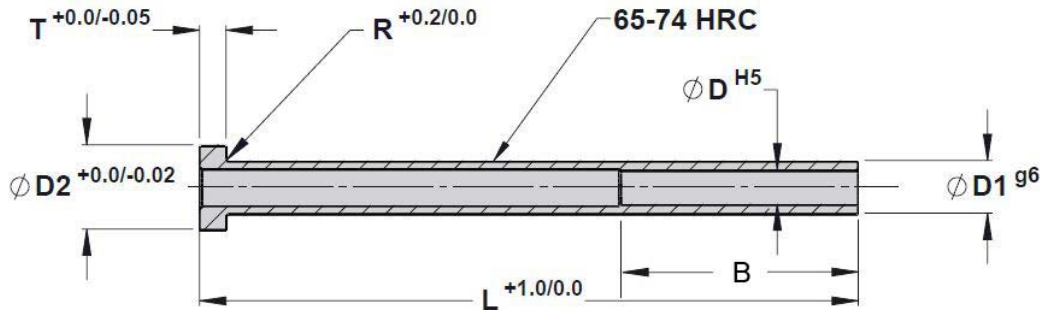
Continued on next page

Metric DIN Nitrided Ejector Sleeves

- Nitrided O.D. and I.D. 65 - 74 Rc
- Custom sizes available upon request



SPECIFICATIONS	
D I.D. Tolerance	H5
D1 O.D. Tolerance	g6
D2 Head Diameter Tolerance	+0.000 / -.250
T Head Thickness Tolerance	+0.0000 / -.0508
Bearing Length Tolerance	+2.00
R Pin to Head Radius Tolerance	+0.20
L Overall Length Tolerance	+0.813 / -.000
I.D. Hardness	65 - 74 Rc
O.D. Hardness	65 - 74 Rc



Standard: Metric DIN

Material: H-13 / 1.2344 Steel

Surface Treatment: Nitrided 65 - 74 HRC

● Stocked items

■ 2-3 Week Delivery

CATALOG NO.	D I.D.	D1 O.D.	D2 HEAD DIA.	T HEAD THICK.	B BEARING LENGTH	R RADIUS	L OVERALL LENGTH													
							75	100	125	150	175	200	225	250	275	300	350			
S2016-	16.0	20	26	9	55	0.8		●		●	●	●	●	●	●	●	●	●	●	●
S2218-	18.0	22	28	9	55	0.8	●	●	●	●	●	●	●	●	●	●	●	●	●	●

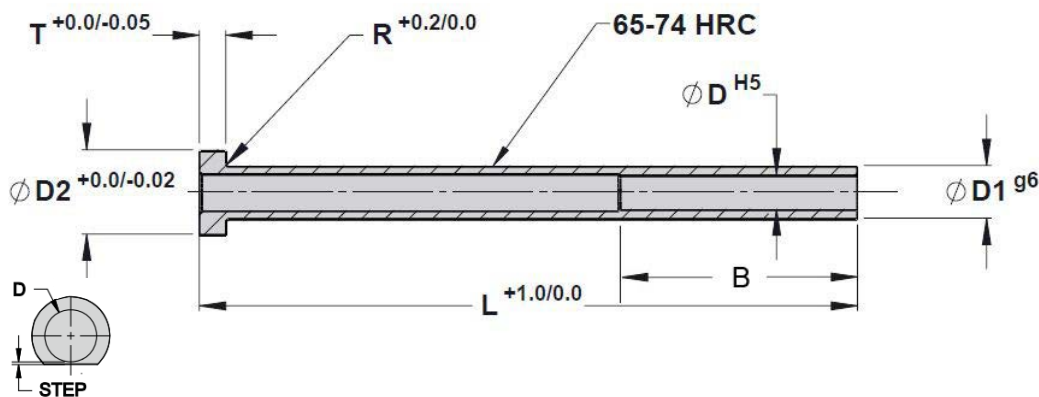
Add length to end of catalog number (i.e. S2016-100)

Metric DIN Nitrided Ejector Sleeves - D Head

- Nitrided O.D. and I.D. 65 - 74 Rc
- Custom sizes available upon request



SPECIFICATIONS	
D I.D. Tolerance	H5
D1 O.D. Tolerance	g6
D2 Head Diameter Tolerance	+0.000 / -.250
T Head Thickness Tolerance	+0.0000 / -.0508
Bearing Length Tolerance	+2.00
R Pin to Head Radius Tolerance	+0.20
L Overall Length Tolerance	+0.813 / -.000
Step Tolerance	0 / +0.1
I.D. Hardness	65 - 74 Rc
O.D. Hardness	65 - 74 Rc



Standard: Metric DIN

Material: H-13 / 1.2344 Steel

Surface Treatment: Nitrided 65 - 74 HRC

● Stocked items

■ 2-3 Week Delivery

CATALOG NO.	D I.D.	D1 O.D.	D2 HEAD DIA.	T HEAD THICK.	B BEARING LENGTH	R RADIUS	L OVERALL LENGTH	
							175	100
DS850-	5.0	8	14	5	45	0.5	●	●

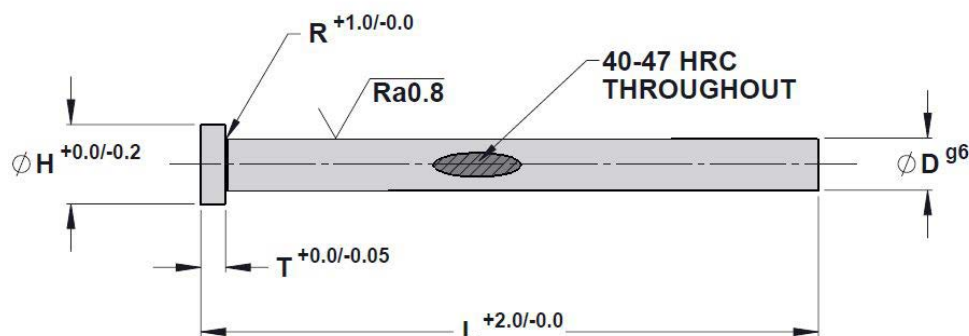
Add length to end of catalog number (i.e. DS850-175)

Metric DIN Core Pins

- Premium hotwork steel
- Tolerances ensure close fit for coring purposes
- Etched for easy Identification
- Heads annealed on core pins 6" or longer



SPECIFICATIONS	
D Pin Diameter Tolerance	g6
Annealed Head	Yes
H Head Diameter Tolerance	-0.20
T Head Thickness Tolerance	-0.05
R Pin to Head Radius Tolerance	+0.20
L Overall Length Tolerance	+2.0
Etched for Identification	Yes



Standard: Metric DIN

Material: H-13 / 1.2344 Steel

Through-Hardened: 40 - 47 HRC

● Stocked items

■ 2-3 Week Delivery

CATALOG NO.	D PIN DIA.	H HEAD DIA.	T HEAD THICK.	R RADIUS	L OVERALL LENGTH												
					80	100	125	160	200	250	315	400	500	630	800	1000	
MC15-	1.5	3	1.5	0.2		●			●								
MC18-	1.8	3	1.5	0.2													
MC20-	2.0	4	2	0.2		●		●									
MC22-	2.2	4	2	0.2		●											
MC25-	2.5	5	2	0.3		●		●									
MC27-	2.7	5	2	0.3				●									
MC30-	3.0	6	3	0.3		●		●	●								
MC32-	3.2	6	3	0.3					●								
MC34-	3.4	6	3	0.3													
MC35-	3.5	7	3	0.3		●		●	●								
MC37-	3.7	7	3	0.3		●			●								
MC40-	4.0	8	3	0.3		●		●	●		●						
MC42-	4.2	8	3	0.3				●									
MC45-	4.2	8	3	0.3		●		●									

Add length to end of catalog number (i.e. MC15-100)

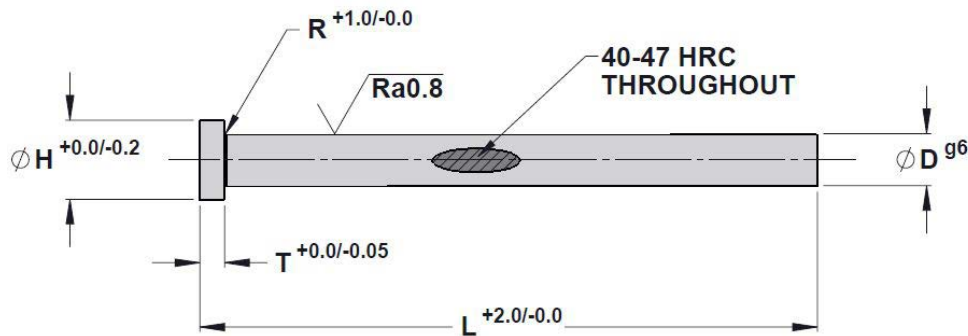
Continued on next page

Metric DIN Core Pins

- Premium hotwork steel
- Tolerances ensure close fit for coring purposes
- Etched for easy Identification
- Heads annealed on core pins 6" or longer



SPECIFICATIONS	
D Pin Diameter Tolerance	g6
Annealed Head	Yes
H Head Diameter Tolerance	-0.20
T Head Thickness Tolerance	-0.05
R Pin to Head Radius Tolerance	+0.20
L Overall Length Tolerance	+2.0
Etched for Identification	Yes



Standard: Metric DIN
Material: H-13 / 1.2344 Steel
Through-Hardened: 40 - 47 HRC

- Stocked items
- 2-3 Week Delivery

CATALOG NO.	D PIN DIA.	H HEAD DIA.	T HEAD THICK.	R RADIUS	L OVERALL LENGTH											
					80	100	125	160	200	250	315	400	500	630	800	1000
MC50-	5.0	10	3	0.3		●	■	●	●		●	■	■	■		
MC52-	5.2	10	3	0.3		●	■					■	■	■		
MC55-	5.5	10	3	0.3		●	■	●					■	■	■	
MC60-	6.0	12	5	0.5		●	■	●	●		●	■	■	■	■	
MC62-	6.2	12	5	0.5		●	■					■	■	■	■	
MC65-	6.5	12	5	0.5		●	■				●	■	■	■	■	
MC70-	7.0	12	5	0.5	●	■	●		●	■	■	■	■	■	■	
MC75-	7.5	12	5	0.5	■	■	●		●	■	■	■	■	■	■	
MC80-	8.0	14	5	0.5	●	■	●	●	●	■	■	■	■	■	■	
MC82-	8.2	14	5	0.5		■	●					■	■	■	■	
MC85-	8.5	14	5	0.5	●	■	●		●	■	■	■	■	■	■	
MC90-	9.0	14	5	0.5	●	■	●	●				■	■	■	■	
MC100	10.0	16	5	0.5	●	■	●	●				■	■	■	■	
MC102	10.2	16	5	0.5	■	■	●					■	■	■	■	

Add length to end of catalog number (i.e. MC50-100)

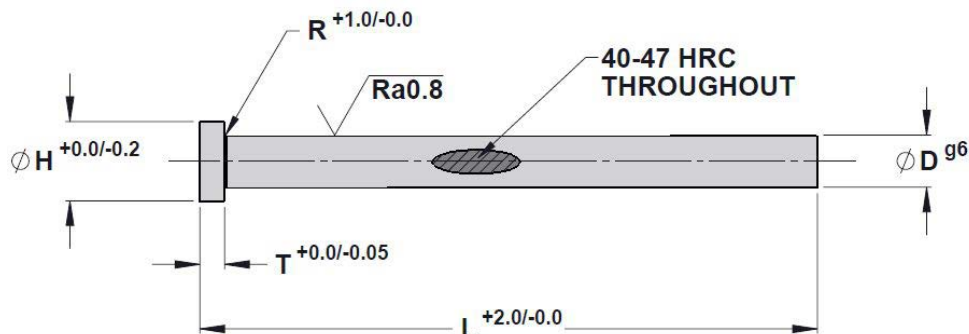
Continued on next page

Metric DIN Core Pins

- Premium hotwork steel
- Tolerances ensure close fit for coring purposes
- Etched for easy Identification
- Heads annealed on core pins 6" or longer



SPECIFICATIONS	
D Pin Diameter Tolerance	g6
Annealed Head	Yes
H Head Diameter Tolerance	-0.20
T Head Thickness Tolerance	-0.05
R Pin to Head Radius Tolerance	+0.20
L Overall Length Tolerance	+2.0
Etched for Identification	Yes



Standard: Metric DIN
Material: H-13 / 1.2344 Steel
Through-Hardened: 40 - 47 HRC

- Stocked items
- 2-3 Week Delivery

CATALOG NO.	D PIN DIA.	H HEAD DIA.	T HEAD THICK.	R RADIUS	L OVERALL LENGTH											
					80	100	125	160	200	250	315	400	500	630	800	1000
MC105	10.5	16	5	0.5	●	■	●	■	■	■	■	■	■	■	■	■
MC110	11.0	16	5	0.5	●	■	●	■	■	■	■	■	■	■	■	■
MC120	12.0	18	7	0.8	●	■	●	●	■	●	■	■	■	■	■	■
MC122	12.2	18	7	0.8	■	■	■	■	■	■	■	■	■	■	■	■
MC125	12.5	18	7	0.8	■	■	●	■	■	■	■	■	■	■	■	■
MC140	14.0	22	7	0.8	●	■	●	●	■	●	■	■	■	■	■	■
MC160	16.0	22	7	0.8	●	■	●	●	■	■	■	■	■	■	■	■
MC180	18.0	24	7	0.8	■	■	●	■	■	●	■	■	■	■	■	■
MC200	20.0	26	8	1	■	■	●	■	■	■	■	■	■	■	■	■
MC250	25.0	32	10	1	■	■	■	■	■	■	●	■	●	■	■	■
MC320	32.0	40	10	1	■	■	■	■	■	■	■	■	■	■	■	■

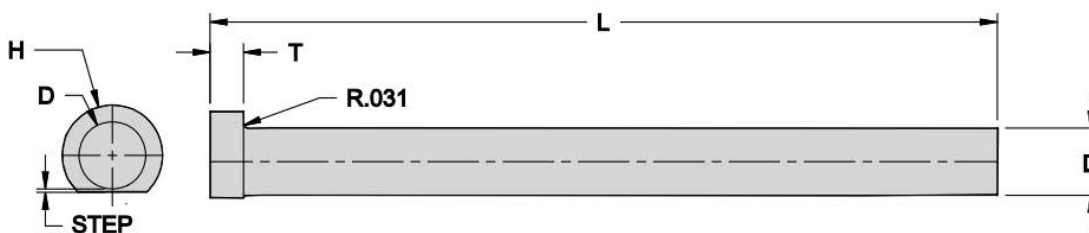
Add length to end of catalog number (i.e. MC105-80)

Metric DIN Core Pins - D Head

- Premium hotwork steel
- Tolerances ensure close fit for coring purposes
- Etched for easy Identification
- Heads annealed on core pins 6" or longer



SPECIFICATIONS	
D Pin Diameter Tolerance	g6
Annealed Head	Yes
H Head Diameter Tolerance	-0.20
T Head Thickness Tolerance	-0.05
R Pin to Head Radius Tolerance	+0.20
L Overall Length Tolerance	+2.0
Step Tolerance	0 / +0.1
Etched for Identification	Yes



Standard: Metric DIN
Material: H-13 / 1.2344 Steel
Through-Hardened: 40 - 47 HRC

- Stocked items
- 2-3 Week Delivery

CATALOG NO.	D PIN DIA.	H HEAD DIA.	T HEAD THICK.	R RADIUS	L OVERALL LENGTH	
					160	200
DMC55	10.5	16	5	0.5	●	
DMC60	11.0	16	5	0.5		●

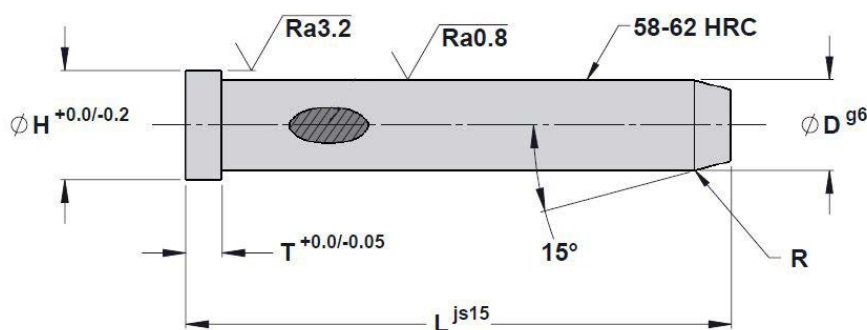
Add length to end of catalog number (i.e. DMC55-160)

Metric DIN Angle Pins

- Premium hotwork steel
- Commonly used to actuate slides
- Custom sizes available upon request



SPECIFICATIONS	
D Pin Diameter Tolerance	g6
H Head Diameter Tolerance	+0.0/-0.2
T Head Thickness Tolerance	+0.0/-0.05
L Overall Length Tolerance	js15
Core Hardness	27 +/-5 Rc
Surface Hardness	60 +/-2 Rc



Standard: Metric DIN

Material: AISI 5115 Steel

Surface Treatment: Case Hardened 58 - 62 Rc

● Stocked items

■ 2-3 Week Delivery

CATALOG NO.	D PIN DIA.	H HEAD DIA.	T HEAD THICK.	R RADIUS	L OVERALL LENGTH																							
					40	60	80	100	110	120	140	160	180	200	210	220	230	240	250	270	300	360						
APD10	10	12	3	5		■	●				■	●																
APD12	12	16	6	5		■	●	■			■	●	■															
APD14	14	18	8	6				■			■	●	■	■			■	●		■								
APD16	16	20	8	7				■	●		■	●	■	■	■		■	●	■									
APD18	18	22	8	8	■	■		■			■	●	■	■	■		■	●		■			■					
APD20	20	24	8	8		■		■			■	●	■	■	■		■	●		■			■					
APD22	22	26	15	8			■				■	●	■	■	■		■	●		■			■		■			
APD24	24	28	15	8				■			■	●	■	■	■		■	●		■			■		■			
APD30	30	34	15	8							■	●	■	■	■		■	●		■			■		■			
APD40	40	48	15	10									■	■	■		■	●		■			■		■			
APD42	42	48	15	10											■	■				■			■		■			
APD50	50	58	15	10										■	■					■			■		■		■	

Add length to end of catalog number (i.e. APD1060)

Tolerance Chart

Metric DIN Tolerances in (1/1000) Inches

mm	H6	H7	m6	k6	h9	g6	d9
from .039 up to .118	0 +.2362	0 +.3937	+.3150 +.0787	+.2362 +0	0 -.9843	-.0787 -.3150	-.7874 -1.7717
from .118 up to .236	0 +.3150	0 +.4724	+.4724 +.1575	+.3543 +.0394	0 -1.181	-.1575 -.4724	-1.1811 -2.3622
from .236 up to .394	0 +.3543	0 +.5905	+.5905 +.2362	+.3937 +.0394	0 -1.4173	-.1968 -.5512	-1.5748 -2.9921
from .394 up to .709	0 +.4331	0 +.7087	+.7087 +.2756	+.4724 +.0394	0 -1.6929	-.2362 -.6693	-1.9685 -3.6614
from .709 up to 1.181	0 +.5118	0 +.8268	+.8268 +.3150	+.5905 +.0787	0 -2.0472	-.2756 -.7874	-2.5591 -4.6063

Metric DIN Tolerances in (1/1000) Millimeters

mm	H6	H7	m6	k6	h9	g6	d9
from 1 up to 3	0 +6	0 +10	+8 +2	+6 +0	0 -25	-2 -8	-20 -45
from 3 up to 6	0 +8	0 +12	+12 +4	+9 +1	0 -30	-4 -12	-30 -60
from 6 up to 10	0 +9	0 +15	+15 +6	+10 +1	0 -36	-5 -14	-40 -76
from 10 up to 18	0 +11	0 +18	+18 +7	+12 +1	0 -43	-6 -17	-50 -93
from 18 up to 30	0 +13	0 +21	+21 +8	+15 +2	0 -52	-7 -20	-65 -117