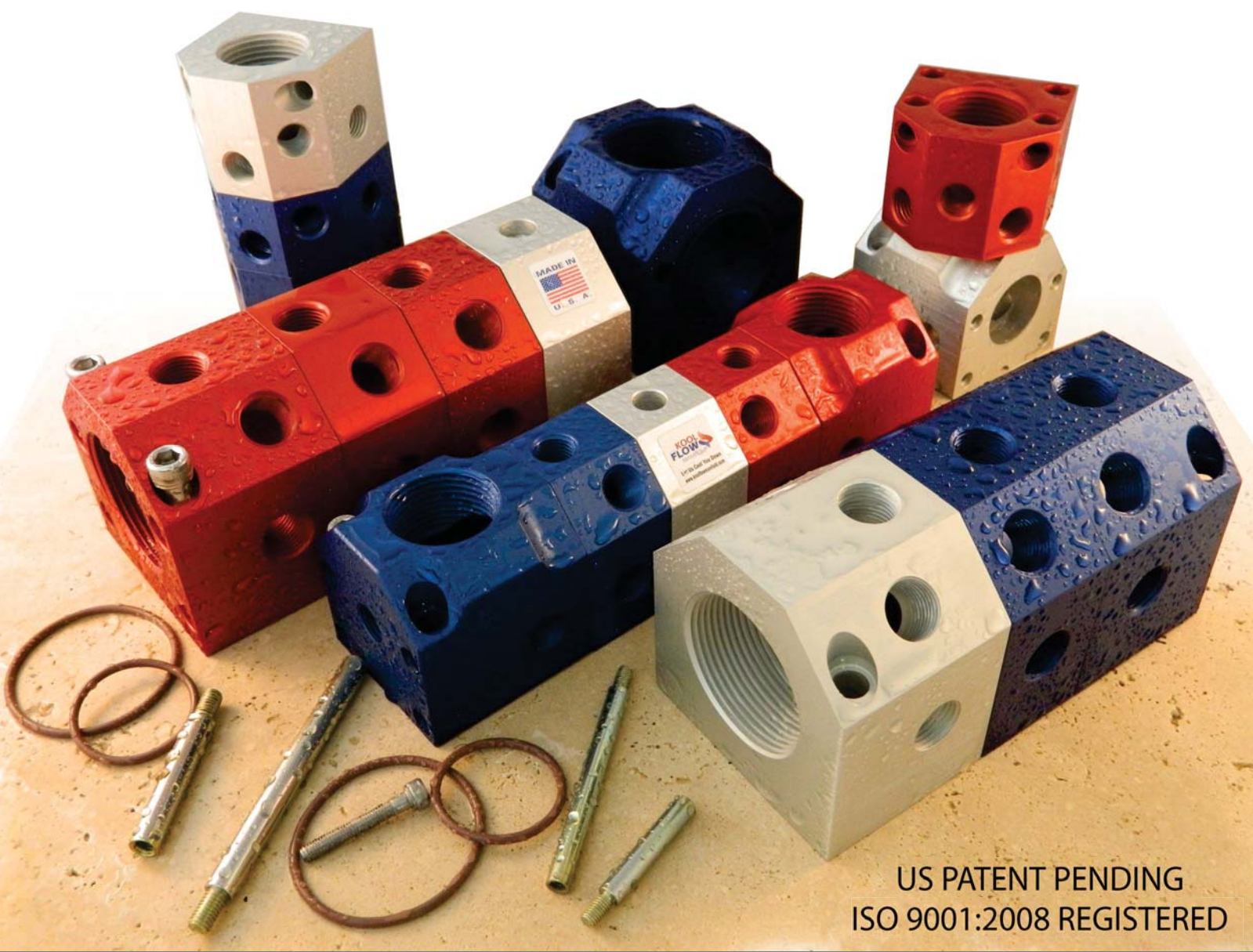


**PCS**  
**COMPANY**  
www.pcs-company.com

New  
1-1/4" & 2"  
inlet options

# KOOL FLOW

## MANIFOLD



US PATENT PENDING  
ISO 9001:2008 REGISTERED

**FLEXIBLE MANIFOLD SYSTEM**

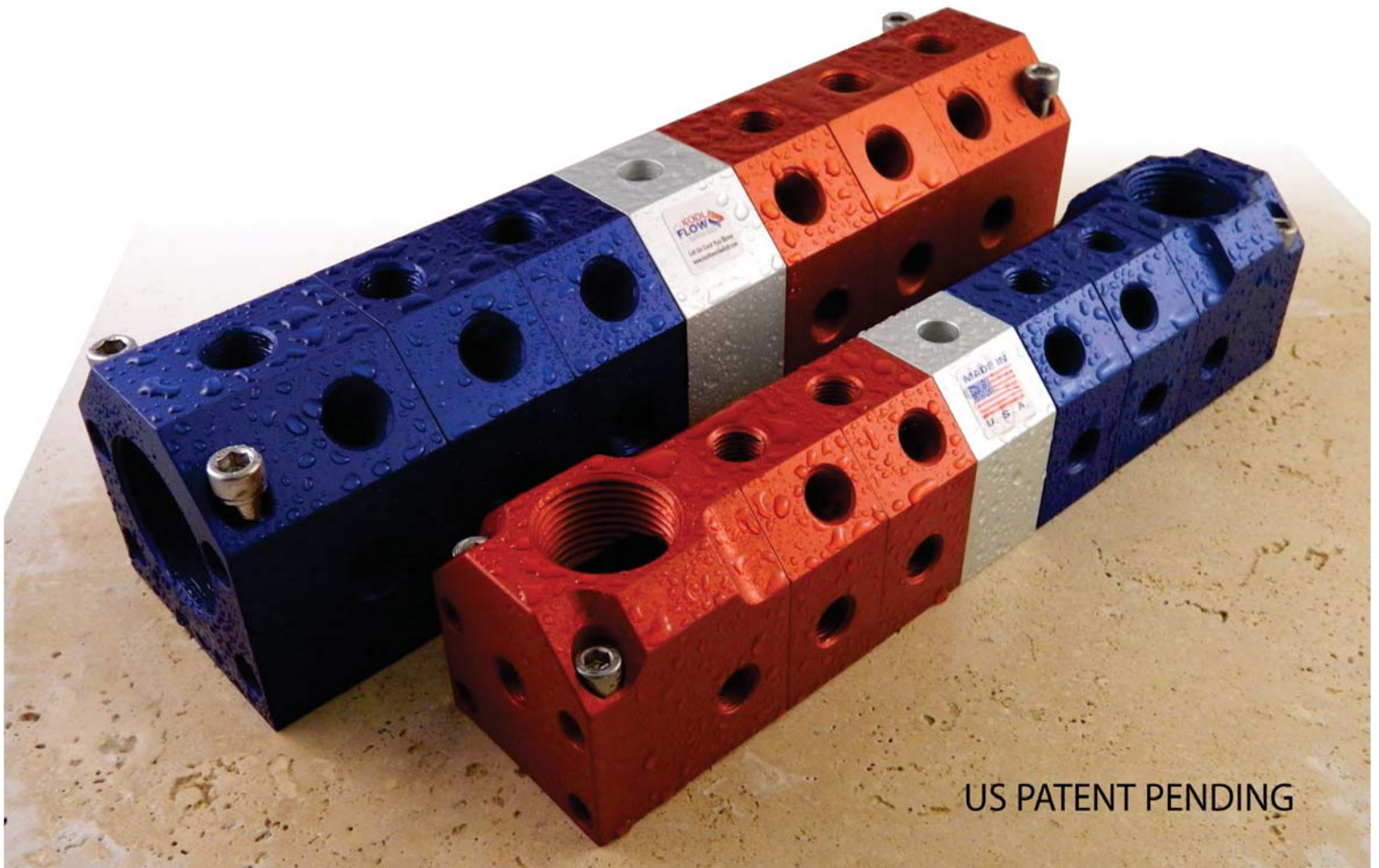
## INTRODUCING THE **FB SERIES WATER MANIFOLD** DESIGNED WITH MORE THOUGHT THAN ANY WATER MANIFOLD ON THE MARKET

The FB Series water manifold is exactly what you expect from the industry's number one water manifold supplier. Designed with our exclusive FLEX BLOCK TECHNOLOGY features, the FB Series delivers superior design and flexibility to meet the most demanding applications. Nobody knows water manifolds like KOOL Flow Manifold and the FB Series Flex Block proves it.

**QUICK SHIPMENT:** Design principles allows manufacturing to have 24-hour shipping because we just assemble to order "vs" reacting to the order.

**FLEXIBLE DESIGN:** Four Patented modular block assemblies can be used for multiple application needs. Flex design reduces assembly time and allows modifications for the "OOPS" to change on the fly. O-ring seals protect against leaks between modular block assemblies.

**e-KOOL CONFIGURATOR:** Easily configure your water manifold system by visiting [www.pcs-company.com](http://www.pcs-company.com). Receive an instant price and a downloadable CAD file.



US PATENT PENDING

PRODUCT OVERVIEW.....	1-2	
FB2 1" INLET ASSEMBLIES (Port-to-Divide).....	3	
FB2 1" INLET ASSEMBLIES (Port-to-Blank).....	4-5	
FB2 INDIVIDUAL COMPONENTS.....	6-7	
FB3 1-1/4" INLET ASSEMBLIES (Port-to-Divide ).....	8	<b>NEW!</b>
FB3 1-1/4" INLET ASSEMBLIES (Port-to-Blank).....	9-10	<b>NEW!</b>
FB3 1-1/2" I NLET ASSEMBLIES (Port-to-Divide ).....	11	
FB3 1-1/2" INLET ASSEMBLIES (Port-to-Blank).....	12-13	
FB3 INDIVIDUAL COMPONENTS.....	14-15	
FB4 2" INLET ASSEMBLIES (Port-to-Divide ).....	16	<b>NEW!</b>
FB4 2" INLET ASSEMBLIES (Port-to-Blank).....	17	<b>NEW!</b>
FB4 INDIVIDUAL COMPONENTS.....	18-19	
ACCESSORIES.....	20	



ISO 9001:2008 REGISTERED

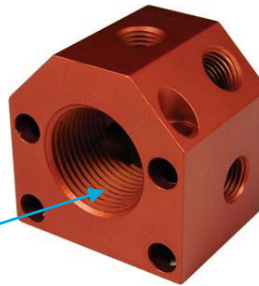
# Easily Choose the Product that suits your Application!

1. Select the **Inlet Size** (1" = FB2 , 1-1/4" or 1-1/2" = FB3, 2" = FB4)
2. Select the **Inlet Style** that best fits in your envelope (Straight or 90 Degree)
3. Determine the **Assembly Style** (Port-to-Blank or Port-to-Divide)
4. Determine how many total **Outlet Holes** your application needs.

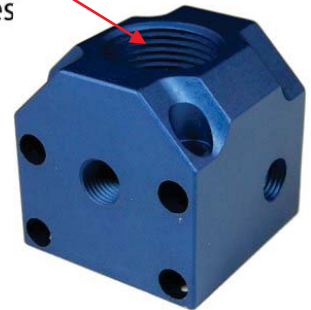
## FB2 Series = 1" NPT Inlet

Block Size: 2.25" W x 2.25" H  
Material: 6061-T6 Alum Manifold Bar Stock  
Finish: Anodized  
Mounting Hole Size: 1/4" SHCS  
Inlet Hole: 1" NPT  
Outlet Hole: 1/4" or 3/8"

Straight Inlet  
(5) Outlet Holes



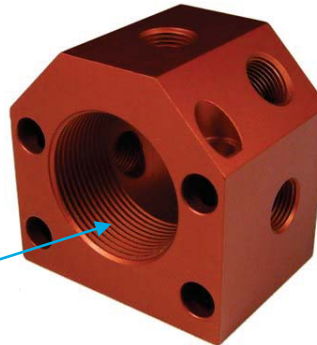
90° Inlet  
(3) Outlet Holes



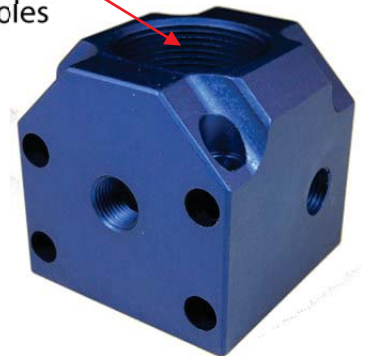
## FB3 Series = 1-1/4" or 1-1/2" NPT Inlet

Block Size: 3.00" W x 3.00" H  
Material: 6061-T6 Alum Manifold Bar Stock  
Finish: Anodized  
Mounting Hole Size: 5/16" SHCS  
Inlet Hole: 1-1/4" or 1-1/2" NPT  
Outlet Hole: 3/8" or 1/2"

Straight Inlet  
(5) Outlet Holes



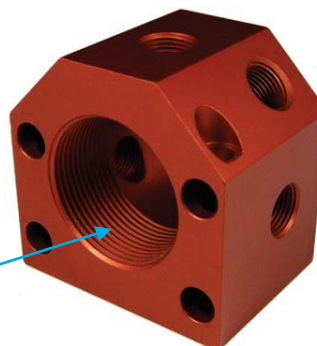
90° Inlet  
(3) Outlet Holes



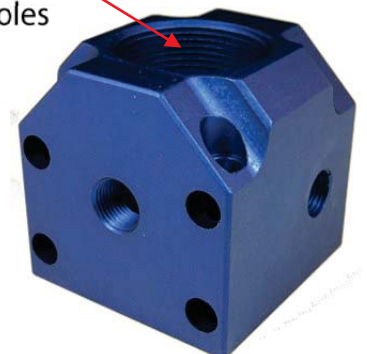
## FB4 Series = 2" NPT Inlet

Block Size: 3.50" W x 3.50" H  
Material: 6061-T6 Alum Manifold Bar Stock  
Finish: Anodized  
Mounting Hole Size: 5/16" SHCS  
Inlet Hole: 2" NPT  
Outlet Hole: 3/4"

Straight Inlet  
(5) Outlet Holes



90° Inlet  
(3) Outlet Holes



Visit [www.pcs-company.com](http://www.pcs-company.com) to use our e-KOOL Assembly Configurator

## Select the Assembly Style:

With a port-to-blank configuration you can eliminate the costly end plug and still mount the Hot & Cold in different locations.

### Port-to-Blank (PB)



Color: Red/Silver or Blue/Silver  
 # of Inlets: One  
 # of Outlets: (25) Max.  
 # of Block: (6) Max.

### 90° Port-to-Blank (PB)



Color: Red/Silver or Blue/Silver  
 # of Inlets: One  
 # of Outlets: (23) Max.  
 # of Block: (6) Max.

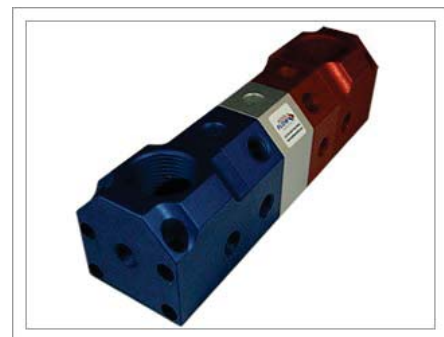
Combine your cooling needs into one manifold. Separate Hot & Cold with a Mid-Block and mount in one easy location.

### Port-to-Divide (PD)



Color: Red/Silver/Blue  
 # of Inlets: One each End  
 # of Outlets: (50) Max.  
 # of Block: (11) Max.

### 90° Port-to-Divide (PD)

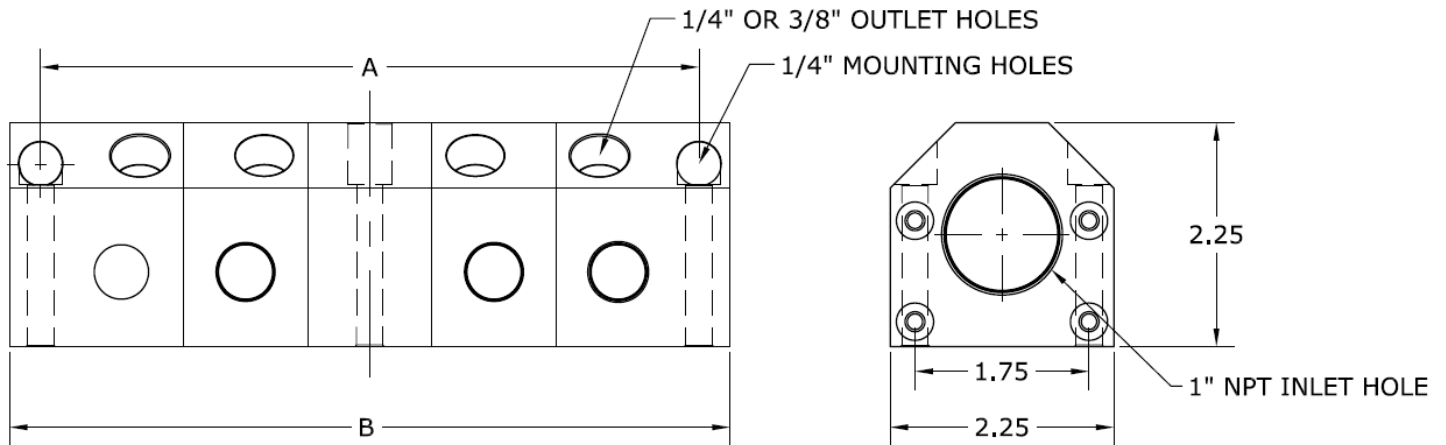


Color: Red/Silver/Blue  
 # of Inlets: One each End  
 # of Outlets: (46) Max.  
 # of Block: (11) Max.

\*90 Degree Inlets reduce the overall package envelope even further. The expensive 90 degree brass fittings are also eliminated.

Manifolds are assembled to order and shipped same day in most cases.

## Typical Dimensioning for FB2 Series Assemblies



## Port-to-Divide (PD)

Assembly No.	Outlet Size	# of Red Outlets	# of Blue Outlets	# of Inlets	Dim. A	Dim. B
FB2-1-4-PD	1/4"	5	5	2	4.13"	4.75"
FB2-2-4-PD	1/4"	10	10	2	6.63"	7.25"
FB2-3-4-PD	1/4"	15	15	2	9.13"	9.75"
FB2-4-4-PD	1/4"	20	20	2	11.63"	12.25"
FB2-5-4-PD	1/4"	25	25	2	14.13"	14.75"
FB2-1-6-PD	3/8"	5	5	2	4.13"	4.75"
FB2-2-6-PD	3/8"	10	10	2	6.63"	7.25"
FB2-3-6-PD	3/8"	15	15	2	9.13"	9.75"
FB2-4-6-PD	3/8"	20	20	2	11.63"	12.25"
FB2-5-6-PD	3/8"	25	25	2	14.13"	14.75"



FB2-2-4-PD  
SHOWN

## 90° Port-to-Divide (PD)

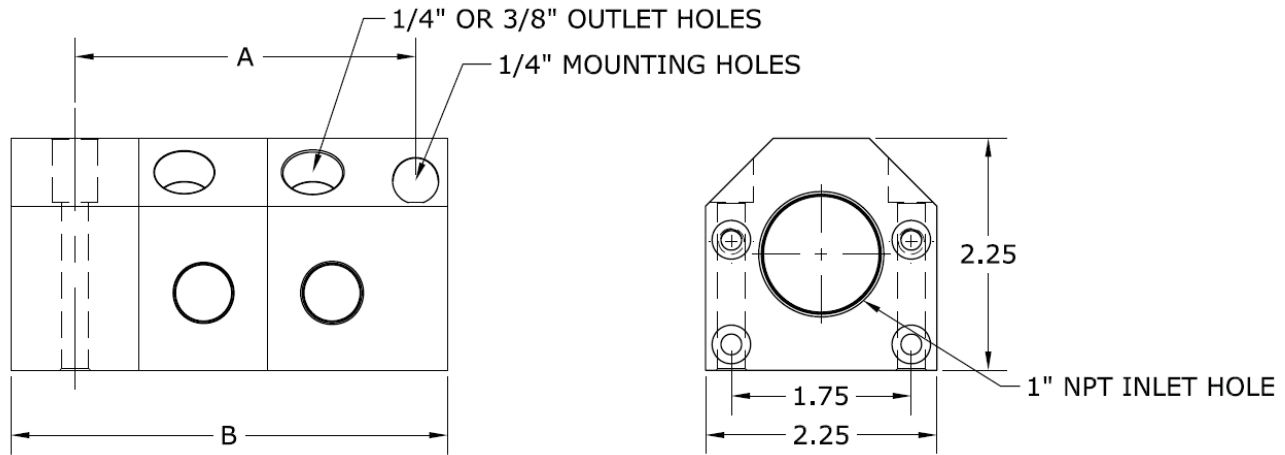
Assembly No.	Outlet Size	# of Red Outlets	# of Blue Outlets	# of Inlets	Dim. A	Dim. B
FB290-1-4-PD	1/4"	3	3	2	5.13"	5.75"
FB290-2-4-PD	1/4"	8	8	2	7.63"	8.25"
FB290-3-4-PD	1/4"	13	13	2	10.13"	10.75"
FB290-4-4-PD	1/4"	18	18	2	12.63"	13.25"
FB290-5-4-PD	1/4"	23	23	2	15.13"	15.75"
FB290-1-6-PD	3/8"	3	3	2	5.13"	5.75"
FB290-2-6-PD	3/8"	8	8	2	7.63"	8.25"
FB290-3-6-PD	3/8"	13	13	2	10.13"	10.75"
FB290-4-6-PD	3/8"	18	18	2	12.63"	13.25"
FB290-5-6-PD	3/8"	23	23	2	15.13"	15.75"



FB290-2-4-PD  
SHOWN

Visit [www.pcs-company.com](http://www.pcs-company.com) to use our e-KOOL Assembly Configurator

## Typical Dimensioning for FB2 Series Assemblies



## Port-to-Blank (PB)

Assembly No.	Outlet Size	Block Color	# of Outlets	# of Inlets	Dim. A	Dim. B
FB2-1-4-R-PB	1/4"	Red	5	1	2.06"	3.00"
FB2-2-4-R-PB	1/4"	Red	10	1	3.31"	4.25"
FB2-3-4-R-PB	1/4"	Red	15	1	4.56"	5.50"
FB2-4-4-R-PB	1/4"	Red	20	1	5.81"	6.75"
FB2-5-4-R-PB	1/4"	Red	25	1	7.06"	8.00"
FB2-1-4-B-PB	1/4"	Blue	5	1	2.06"	3.00"
FB2-2-4-B-PB	1/4"	Blue	10	1	3.31"	4.25"
FB2-3-4-B-PB	1/4"	Blue	15	1	4.56"	5.50"
FB2-4-4-B-PB	1/4"	Blue	20	1	5.81"	6.75"
FB2-5-4-B-PB	1/4"	Blue	25	1	7.06"	8.00"
FB2-1-6-R-PB	3/8"	Red	5	1	2.06"	3.00"
FB2-2-6-R-PB	3/8"	Red	10	1	3.31"	4.25"
FB2-3-6-R-PB	3/8"	Red	15	1	4.56"	5.50"
FB2-4-6-R-PB	3/8"	Red	20	1	5.81"	6.75"
FB2-5-6-R-PB	3/8"	Red	25	1	7.06"	8.00"
FB2-1-6-B-PB	3/8"	Blue	5	1	2.06"	3.00"
FB2-2-6-B-PB	3/8"	Blue	10	1	3.31"	4.25"
FB2-3-6-B-PB	3/8"	Blue	15	1	4.56"	5.50"
FB2-4-6-B-PB	3/8"	Blue	20	1	5.81"	6.75"
FB2-5-6-B-PB	3/8"	Blue	25	1	7.06"	8.00"



FB2-2-4-B-PB  
SHOWN



FB2-2-4-R-PB  
SHOWN

Manifolds are assembled to order and shipped same day in most cases.

FB290-2-4-R-PB  
SHOWN



FB290-2-4-B-PB  
SHOWN



## 90° Port-to-Blank (PB)

Assembly No.	Outlet Size	Block Colors	# of Outlets	# of Inlets	Dim. A	Dim. B
FB290-1-4-R-PB	1/4"	Red	3	1	2.56"	3.50"
FB290-2-4-R-PB	1/4"	Red	8	1	3.81"	4.75"
FB290-3-4-R-PB	1/4"	Red	13	1	5.06"	6.00"
FB290-4-4-R-PB	1/4"	Red	18	1	6.31"	7.25"
FB290-5-4-R-PB	1/4"	Red	23	1	7.56"	8.50"
FB290-1-4-B-PB	1/4"	Blue	3	1	2.56"	3.50"
FB290-2-4-B-PB	1/4"	Blue	8	1	3.81"	4.75"
FB290-3-4-B-PB	1/4"	Blue	13	1	5.06"	6.00"
FB290-4-4-B-PB	1/4"	Blue	18	1	6.31"	7.25"
FB290-5-4-B-PB	1/4"	Blue	23	1	7.56"	8.50"
FB290-1-6-R-PB	3/8"	Red	3	1	2.56"	3.50"
FB290-2-6-R-PB	3/8"	Red	8	1	3.81"	4.75"
FB290-3-6-R-PB	3/8"	Red	13	1	5.06"	6.00"
FB290-4-6-R-PB	3/8"	Red	18	1	6.31"	7.25"
FB290-5-6-R-PB	3/8"	Red	23	1	7.56"	8.50"
FB290-1-6-B-PB	3/8"	Blue	3	1	2.56"	3.50"
FB290-2-6-B-PB	3/8"	Blue	8	1	3.81"	4.75"
FB290-3-6-B-PB	3/8"	Blue	13	1	5.06"	6.00"
FB290-4-6-B-PB	3/8"	Blue	18	1	6.31"	7.25"
FB290-5-6-B-PB	3/8"	Blue	23	1	7.56"	8.50"



## FB2 Series = 1" NPT Inlet

Block Size: 2.25" W x 2.25" H  
 Material: 6061-T6 Alum Manifold Bar Stock  
 Finish: Anodized  
 Mounting Hole Size: 1/4" SHCS  
 Inlet Hole: 1" NPT  
 Outlet Hole: 1/4" or 3/8"

### Blocks Sold Individually:

- ◆ After Purchase Modifications
- ◆ Spare Parts Inventory
- ◆ Build your own Assemblies

### First Block—Straight—(1" NPT Inlet)

Part No.	Outlet Size	Block Color	# of Outlets
FB2-FB-1-4-R	1/4"	Red	5
FB2-FB-1-4-B	1/4"	Blue	5
FB2-FB-1-6-R	3/8"	Red	5
FB2-FB-1-6-B	3/8"	Blue	5



Front



Back

### First Block—90°—(1" NPT Inlet)

Part No.	Outlet Size	Block Color	# of Outlets
FB2-FB90-1-4-R	1/4"	Red	3
FB2-FB90-1-4-B	1/4"	Blue	3
FB2-FB90-1-6-R	3/8"	Red	3
FB2-FB90-1-6-B	3/8"	Blue	3



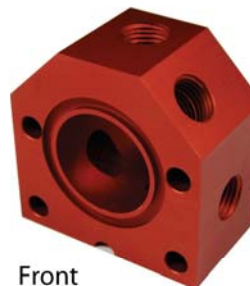
Front



Back

### Mod Block

Part No.	Outlet Size	Block Color	# of Outlets
FB2-MOD-4-R	1/4"	Red	5
FB2-MOD-4-B	1/4"	Blue	5
FB2-MOD-6-R	3/8"	Red	5
FB2-MOD-6-B	3/8"	Blue	5



Front



Back

Manifolds are assembled to order and shipped same day in most cases.



### Mid Block (or End Block)

Part No.	Outlet Size	Block Color	# of Outlets
FB2-MIDB-1	n/a	Silver	0

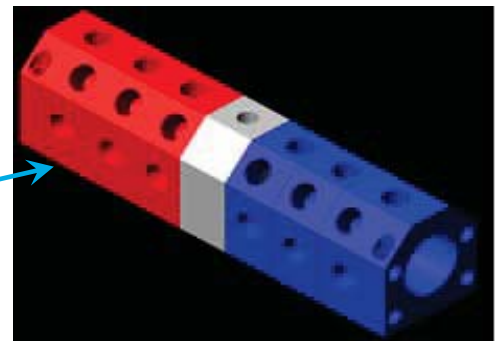
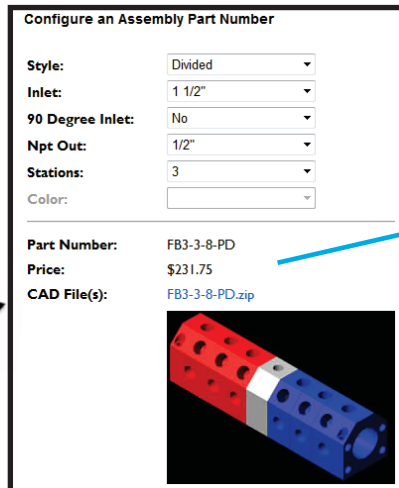
\*Used in both the PD and PB Configurations



### Miscellaneous Hardware

Part No.	Description
FB2-OR-1	Viton O-Ring
FB2-TR-1	#10-32 Tie Rod (Single Block)
FB2-SHCS-05	#10-32 X 3/4" SS SHCS
FB2-SHCS-1	#10-32 x 1" SS SHCS
FB2-SHCS-2	#10-32 x 1-1/4" SS SHCS
FB2-SHCS-MNT	1/4"-20 x 2" SS SHCS

## Visit our Online **e-KOOL** Configurator!

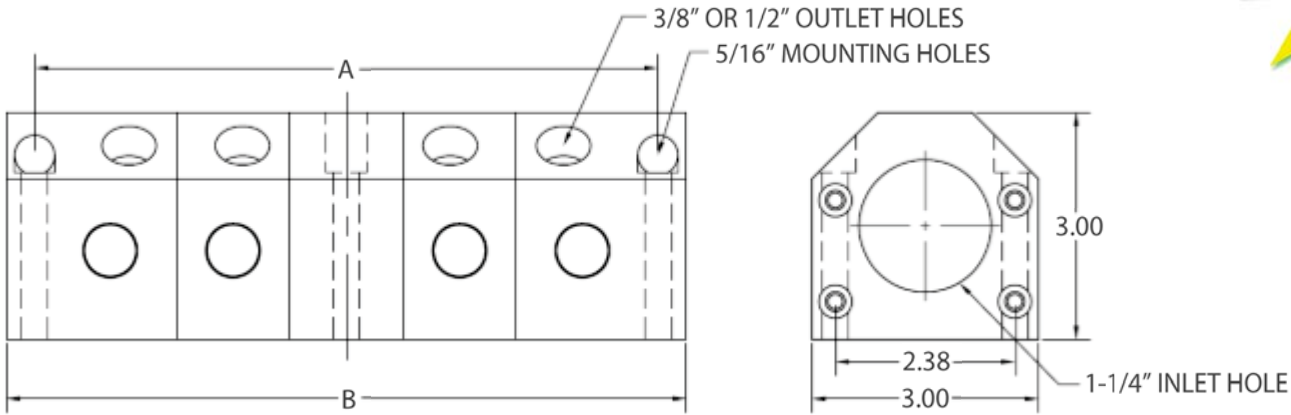


**From Configurator to CAD in a Few Clicks...**

Visit [www.pcs-company.com](http://www.pcs-company.com) to use our **e-KOOL** Assembly Configurator



## Typical Dimensioning for FB3 Series Assemblies



### Port-to-Divide (PD)

Assembly No.	Outlet Size	# of Red Outlets	# of Blue Outlets	# of Inlets	Dim. A	Dim. B	USD Price
FB3-1-6-PD-1.25	3/8"	5	5	2	5.25"	6.00"	\$107.47
FB3-2-6-PD-1.25	3/8"	10	10	2	8.25"	9.00"	\$169.61
FB3-3-6-PD-1.25	3/8"	15	15	2	11.25"	12.00"	\$231.75
FB3-4-6-PD-1.25	3/8"	20	20	2	14.25"	15.00"	\$293.89
FB3-5-6-PD-1.25	3/8"	25	25	2	17.25"	18.00"	\$356.03
FB3-1-8-PD-1.25	1/2"	5	5	2	5.25"	6.00"	\$107.47
FB3-2-8-PD-1.25	1/2"	10	10	2	8.25"	9.00"	\$169.61
FB3-3-8-PD-1.25	1/2"	15	15	2	11.25"	12.00"	\$231.75
FB3-4-8-PD-1.25	1/2"	20	20	2	14.25"	15.00"	\$293.89
FB3-5-8-PD-1.25	1/2"	25	25	2	17.25"	18.00"	\$356.03



### 90° Port-to-Divide (PD)

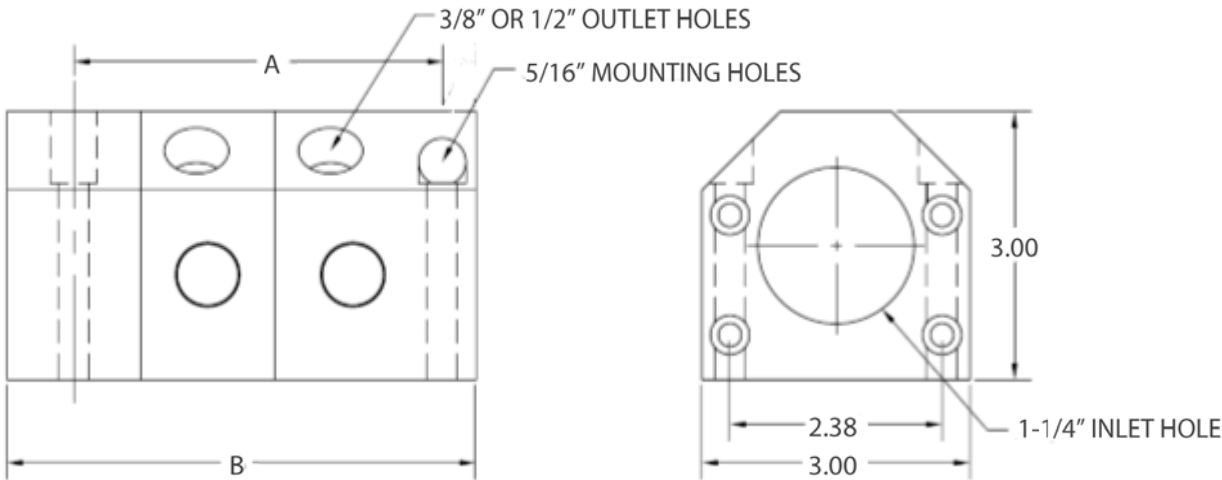
Assembly No.	Outlet Size	# of Red Outlets	# of Blue Outlets	# of Inlets	Dim. A	Dim. B	USD Price
FB390-1-6-PD-1.25	3/8"	3	3	2	6.75"	7.50"	\$187.73
FB390-2-6-PD-1.25	3/8"	8	8	2	9.75"	10.50"	\$249.87
FB390-3-6-PD-1.25	3/8"	13	13	2	12.75"	13.50"	\$312.01
FB390-4-6-PD-1.25	3/8"	18	18	2	15.75"	16.50"	\$374.15
FB390-5-6-PD-1.25	3/8"	23	23	2	18.75"	19.50"	\$436.29
FB390-1-8-PD-1.25	1/2"	3	3	2	6.75"	7.50"	\$187.73
FB390-2-8-PD-1.25	1/2"	8	8	2	9.75"	10.50"	\$249.87
FB390-3-8-PD-1.25	1/2"	13	13	2	12.75"	13.50"	\$312.01
FB390-4-8-PD-1.25	1/2"	18	18	2	15.75"	16.50"	\$374.15
FB390-5-8-PD-1.25	1/2"	23	23	2	18.75"	19.50"	\$436.29



Manifolds are assembled to order and shipped same day in most cases.



## Typical Dimensioning for FB3 Series Assemblies



## Port-to-Blank (PB)

Assembly No.	Outlet Size	Block Color	# of Outlets	# of Inlets	Dim. A	Dim. B
FB3-1-6-R-PB-1.25	3/8"	Red	5	1	2.63"	3.75"
FB3-2-6-R-PB-1.25	3/8"	Red	10	1	4.13"	5.25"
FB3-3-6-R-PB-1.25	3/8"	Red	15	1	5.63"	6.75"
FB3-4-6-R-PB-1.25	3/8"	Red	20	1	7.13"	8.25"
FB3-5-6-R-PB-1.25	3/8"	Red	25	1	8.63"	9.75"
FB3-1-6-B-PB-1.25	3/8"	Blue	5	1	2.63"	3.75"
FB3-2-6-B-PB-1.25	3/8"	Blue	10	1	4.13"	5.25"
FB3-3-6-B-PB-1.25	3/8"	Blue	15	1	5.63"	6.75"
FB3-4-6-B-PB-1.25	3/8"	Blue	20	1	7.13"	8.25"
FB3-5-6-B-PB-1.25	3/8"	Blue	25	1	8.63"	9.75"
FB3-1-8-R-PB-1.25	1/2"	Red	5	1	2.63"	3.75"
FB3-2-8-R-PB-1.25	1/2"	Red	10	1	4.13"	5.25"
FB3-3-8-R-PB-1.25	1/2"	Red	15	1	5.63"	6.75"
FB3-4-8-R-PB-1.25	1/2"	Red	20	1	7.13"	8.25"
FB3-5-8-R-PB-1.25	1/2"	Red	25	1	8.63"	9.75"
FB3-1-8-B-PB-1.25	1/2"	Blue	5	1	2.63"	3.75"
FB3-2-8-B-PB-1.25	1/2"	Blue	10	1	4.13"	5.25"
FB3-3-8-B-PB-1.25	1/2"	Blue	15	1	5.63"	6.75"
FB3-4-8-B-PB-1.25	1/2"	Blue	20	1	7.13"	8.25"
FB3-5-8-B-PB-1.25	1/2"	Blue	25	1	8.63"	9.75"



FB3-2-6-B-PB-1.25  
SHOWN



FB3-2-6-R-PB-1.25  
SHOWN



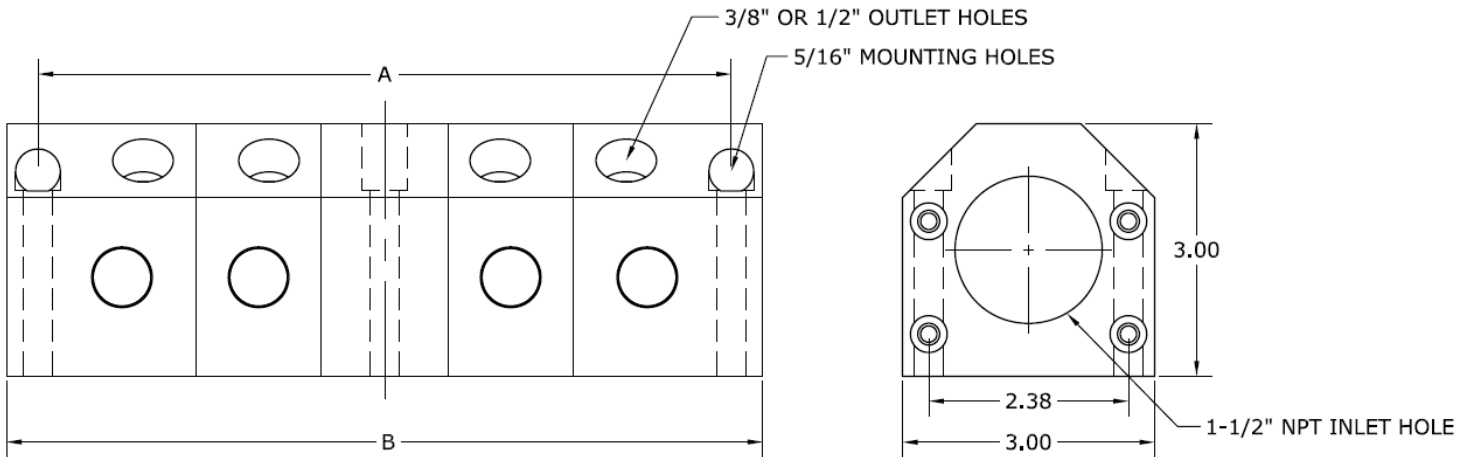
### 90° Port-to-Blank (PB)



Assembly No.	Outlet Size	Block Colors	# of Outlets	# of Inlets	Dim. A	Dim. B
FB390-1-6-R-PB-1.25	3/8"	Red	3	1	3.38"	4.50"
FB390-2-6-R-PB-1.25	3/8"	Red	8	1	4.88"	6.00"
FB390-3-6-R-PB-1.25	3/8"	Red	13	1	6.38"	7.50"
FB390-4-6-R-PB-1.25	3/8"	Red	18	1	7.88"	9.00"
FB390-5-6-R-PB-1.25	3/8"	Red	23	1	9.38"	10.50"
FB390-1-6-B-PB-1.25	3/8"	Blue	3	1	3.38"	4.50"
FB390-2-6-B-PB-1.25	3/8"	Blue	8	1	4.88"	6.00"
FB390-3-6-B-PB-1.25	3/8"	Blue	13	1	6.38"	7.50"
FB390-4-6-B-PB-1.25	3/8"	Blue	18	1	7.88"	9.00"
FB390-5-6-B-PB-1.25	3/8"	Blue	23	1	9.38"	10.50"
FB390-1-8-R-PB-1.25	1/2"	Red	3	1	3.38"	4.50"
FB390-2-8-R-PB-1.25	1/2"	Red	8	1	4.88"	6.00"
FB390-3-8-R-PB-1.25	1/2"	Red	13	1	6.38"	7.50"
FB390-4-8-R-PB-1.25	1/2"	Red	18	1	7.88"	9.00"
FB390-5-8-R-PB-1.25	1/2"	Red	23	1	9.38"	10.50"
FB390-1-8-B-PB-1.25	1/2"	Blue	3	1	3.38"	4.50"
FB390-2-8-B-PB-1.25	1/2"	Blue	8	1	4.88"	6.00"
FB390-3-8-B-PB-1.25	1/2"	Blue	13	1	6.38"	7.50"
FB390-4-8-B-PB-1.25	1/2"	Blue	18	1	7.88"	9.00"
FB390-5-8-B-PB-1.25	1/2"	Blue	23	1	9.38"	10.50"

Manifolds are assembled to order and shipped same day in most cases.

## Typical Dimensioning for FB3 Series Assemblies



## Port-to-Divide (PD)

Assembly No.	Outlet Size	# of Red Outlets	# of Blue Outlets	# of Inlets	Dim. A	Dim. B
FB3-1-6-PD-1.5	3/8"	5	5	2	5.25"	6.00"
FB3-2-6-PD-1.5	3/8"	10	10	2	8.25"	9.00"
FB3-3-6-PD-1.5	3/8"	15	15	2	11.25"	12.00"
FB3-4-6-PD-1.5	3/8"	20	20	2	14.25"	15.00"
FB3-5-6-PD-1.5	3/8"	25	25	2	17.25"	18.00"
FB3-1-8-PD-1.5	1/2"	5	5	2	5.25"	6.00"
FB3-2-8-PD-1.5	1/2"	10	10	2	8.25"	9.00"
FB3-3-8-PD-1.5	1/2"	15	15	2	11.25"	12.00"
FB3-4-8-PD-1.5	1/2"	20	20	2	14.25"	15.00"
FB3-5-8-PD-1.5	1/2"	25	25	2	17.25"	18.00"

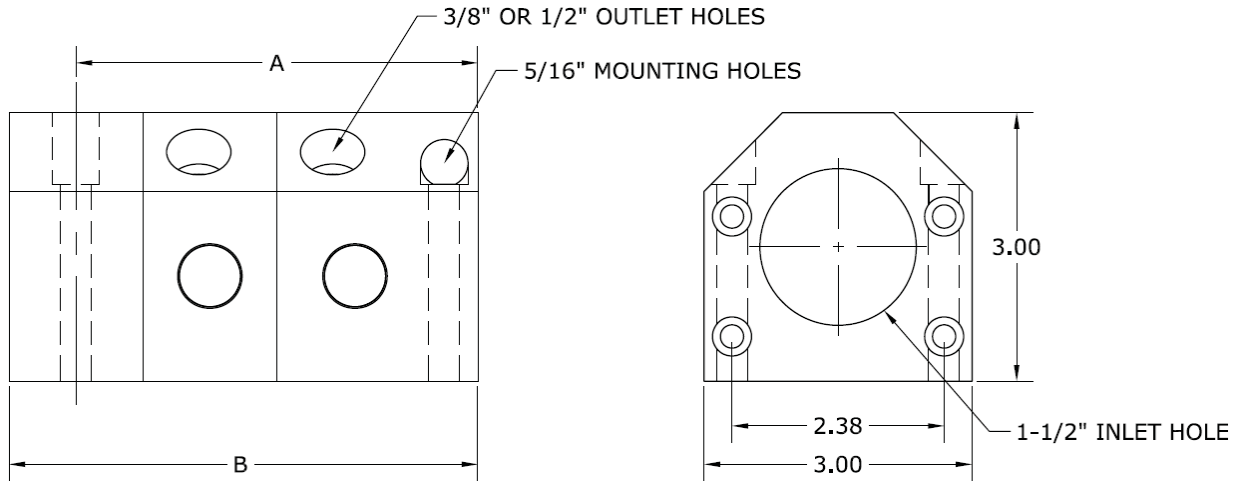


## 90° Port-to-Divide (PD)

Assembly No.	Outlet Size	# of Red Outlets	# of Blue Outlets	# of Inlets	Dim. A	Dim. B
FB390-1-6-PD-1.5	3/8"	3	3	2	6.75"	7.50"
FB390-2-6-PD-1.5	3/8"	8	8	2	9.75"	10.50"
FB390-3-6-PD-1.5	3/8"	13	13	2	12.75"	13.50"
FB390-4-6-PD-1.5	3/8"	18	18	2	15.75"	16.50"
FB390-5-6-PD-1.5	3/8"	23	23	2	18.75"	19.50"
FB390-1-8-PD-1.5	1/2"	3	3	2	6.75"	7.50"
FB390-2-8-PD-1.5	1/2"	8	8	2	9.75"	10.50"
FB390-3-8-PD-1.5	1/2"	13	13	2	12.75"	13.50"
FB390-4-8-PD-1.5	1/2"	18	18	2	15.75"	16.50"
FB390-5-8-PD-1.5	1/2"	23	23	2	18.75"	19.50"



## Typical Dimensioning for FB3 Series Assemblies



## Port-to-Blank (PB)

Assembly No.	Outlet Size	Block Color	# of Outlets	# of Inlets	Dim. A	Dim. B
FB3-1-6-R-PB-1.5	3/8"	Red	5	1	2.63"	3.75"
FB3-2-6-R-PB-1.5	3/8"	Red	10	1	4.13"	5.25"
FB3-3-6-R-PB-1.5	3/8"	Red	15	1	5.63"	6.75"
FB3-4-6-R-PB-1.5	3/8"	Red	20	1	7.13"	8.25"
FB3-5-6-R-PB-1.5	3/8"	Red	25	1	8.63"	9.75"
FB3-1-6-B-PB-1.5	3/8"	Blue	5	1	2.63"	3.75"
FB3-2-6-B-PB-1.5	3/8"	Blue	10	1	4.13"	5.25"
FB3-3-6-B-PB-1.5	3/8"	Blue	15	1	5.63"	6.75"
FB3-4-6-B-PB-1.5	3/8"	Blue	20	1	7.13"	8.25"
FB3-5-6-B-PB-1.5	3/8"	Blue	25	1	8.63"	9.75"
FB3-1-8-R-PB-1.5	1/2"	Red	5	1	2.63"	3.75"
FB3-2-8-R-PB-1.5	1/2"	Red	10	1	4.13"	5.25"
FB3-3-8-R-PB-1.5	1/2"	Red	15	1	5.63"	6.75"
FB3-4-8-R-PB-1.5	1/2"	Red	20	1	7.13"	8.25"
FB3-5-8-R-PB-1.5	1/2"	Red	25	1	8.63"	9.75"
FB3-1-8-B-PB-1.5	1/2"	Blue	5	1	2.63"	3.75"
FB3-2-8-B-PB-1.5	1/2"	Blue	10	1	4.13"	5.25"
FB3-3-8-B-PB-1.5	1/2"	Blue	15	1	5.63"	6.75"
FB3-4-8-B-PB-1.5	1/2"	Blue	20	1	7.13"	8.25"
FB3-5-8-B-PB-1.5	1/2"	Blue	25	1	8.63"	9.75"



FB3-2-6-B-PB  
SHOWN



FB3-2-6-R-PB  
SHOWN

Manifolds are assembled to order and shipped same day in most cases.

### 90° Port-to-Blank (PB)



Assembly No.	Outlet Size	Block Colors	# of Outlets	# of Inlets	Dim. A	Dim. B
FB390-1-6-R-PB-1.5	3/8"	Red	3	1	3.38"	4.50"
FB390-2-6-R-PB-1.5	3/8"	Red	8	1	4.88"	6.00"
FB390-3-6-R-PB-1.5	3/8"	Red	13	1	6.38"	7.50"
FB390-4-6-R-PB-1.5	3/8"	Red	18	1	7.88"	9.00"
FB390-5-6-R-PB-1.5	3/8"	Red	23	1	9.38"	10.50"
FB390-1-6-B-PB-1.5	3/8"	Blue	3	1	3.38"	4.50"
FB390-2-6-B-PB-1.5	3/8"	Blue	8	1	4.88"	6.00"
FB390-3-6-B-PB-1.5	3/8"	Blue	13	1	6.38"	7.50"
FB390-4-6-B-PB-1.5	3/8"	Blue	18	1	7.88"	9.00"
FB390-5-6-B-PB-1.5	3/8"	Blue	23	1	9.38"	10.50"
FB390-1-8-R-PB-1.5	1/2"	Red	3	1	3.38"	4.50"
FB390-2-8-R-PB-1.5	1/2"	Red	8	1	4.88"	6.00"
FB390-3-8-R-PB-1.5	1/2"	Red	13	1	6.38"	7.50"
FB390-4-8-R-PB-1.5	1/2"	Red	18	1	7.88"	9.00"
FB390-5-8-R-PB-1.5	1/2"	Red	23	1	9.38"	10.50"
FB390-1-8-B-PB-1.5	1/2"	Blue	3	1	3.38"	4.50"
FB390-2-8-B-PB-1.5	1/2"	Blue	8	1	4.88"	6.00"
FB390-3-8-B-PB-1.5	1/2"	Blue	13	1	6.38"	7.50"
FB390-4-8-B-PB-1.5	1/2"	Blue	18	1	7.88"	9.00"
FB390-5-8-B-PB-1.5	1/2"	Blue	23	1	9.38"	10.50"



## FB3 Series = 1-1/4" & 1-1/2" NPT Inlet

Block Size: 3.00" W x 3.00" H

Material: 6061-T6 Alum Manifold Bar Stock

Finish: Anodized

Mounting Hole Size: 5/16" SHCS

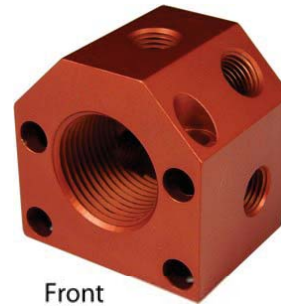
Inlet Hole: 1-1/4" or 1-1/2" NPT

### Blocks Sold Individually:

- ◆ After Purchase Modifications
- ◆ Spare Parts Inventory
- ◆ Build your own Assemblies

### First Block—Straight

Part No.	Inlet Size	Outlet Size	Block Color	# of Outlets
FB3-FB-1.25-6-R	1-1/4"	3/8"	Red	5
FB3-FB-1.25-6-B	1-1/4"	3/8"	Blue	5
FB3-FB-1.25-8-R	1-1/4"	1/2"	Red	5
FB3-FB-1.25-8-B	1-1/4"	1/2"	Blue	5
FB3-FB-1.5-6-R	1-1/2"	3/8"	Red	5
FB3-FB-1.5-6-B	1-1/2"	3/8"	Blue	5
FB3-FB-1.5-8-R	1-1/2"	1/2"	Red	5
FB3-FB-1.5-8-B	1-1/2"	1/2"	Blue	5



Front



Back

### First Block—90°

Part No.	Inlet Size	Outlet Size	Block Color	# of Outlets
FB3-FB90-1.25-6-R	1-1/4"	3/8"	Red	3
FB3-FB90-1.25-6-B	1-1/4"	3/8"	Blue	3
FB3-FB90-1.25-8-R	1-1/4"	1/2"	Red	3
FB3-FB90-1.25-8-B	1-1/4"	1/2"	Blue	3
FB3-FB90-1.5-6-R	1-1/2"	3/8"	Red	3
FB3-FB90-1.5-6-B	1-1/2"	3/8"	Blue	3
FB3-FB90-1.5-8-R	1-1/2"	1/2"	Red	3
FB3-FB90-1.5-8-B	1-1/2"	1/2"	Blue	3



Front



Back

### Mod Block

Part No.	Outlet Size	Block Color	# of Outlets
FB3-MOD-6-R	3/8"	Red	5
FB3-MOD-6-B	3/8"	Blue	5
FB3-MOD-8-R	1/2"	Red	5
FB3-MOD-8-B	1/2"	Blue	5



Front



Back

Manifolds are assembled to order and shipped same day in most cases.



Front



Back

### Mid Block (or End Block)

Part No.	Outlet Size	Block Color	# of Outlets
FB3-MIDB-1	n/a	Silver	0

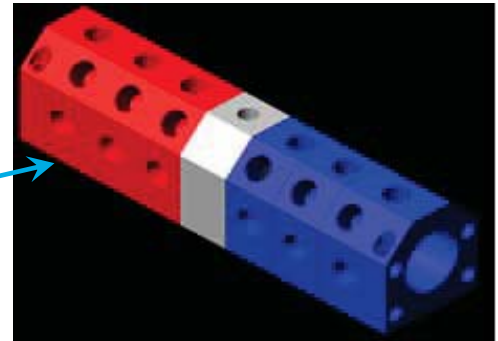
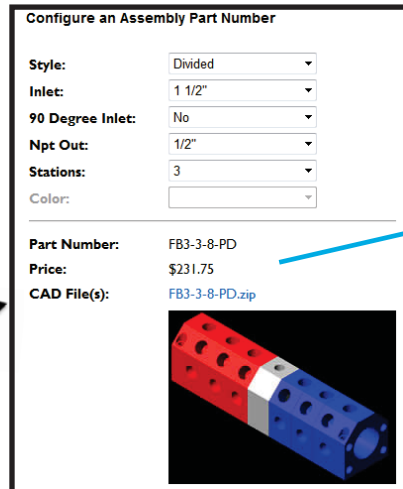
\*Used in both the PD and PB Configurations



### Miscellaneous Hardware

Part No.	Description
FB3-OR-1	Viton O-Ring
FB3-TR-1	M6-1.0 Tie Rod (Single Block)
FB3-SHCS-1	M6-1.0 x 30mm SS SHCS
FB3-SHCS-2	M6-1.0 x 40mm SS SHCS
FB3-SHCS-MNT	5/16" x 2-1/2" SS SHCS

## Visit our Online *e-KOOL* Configurator!

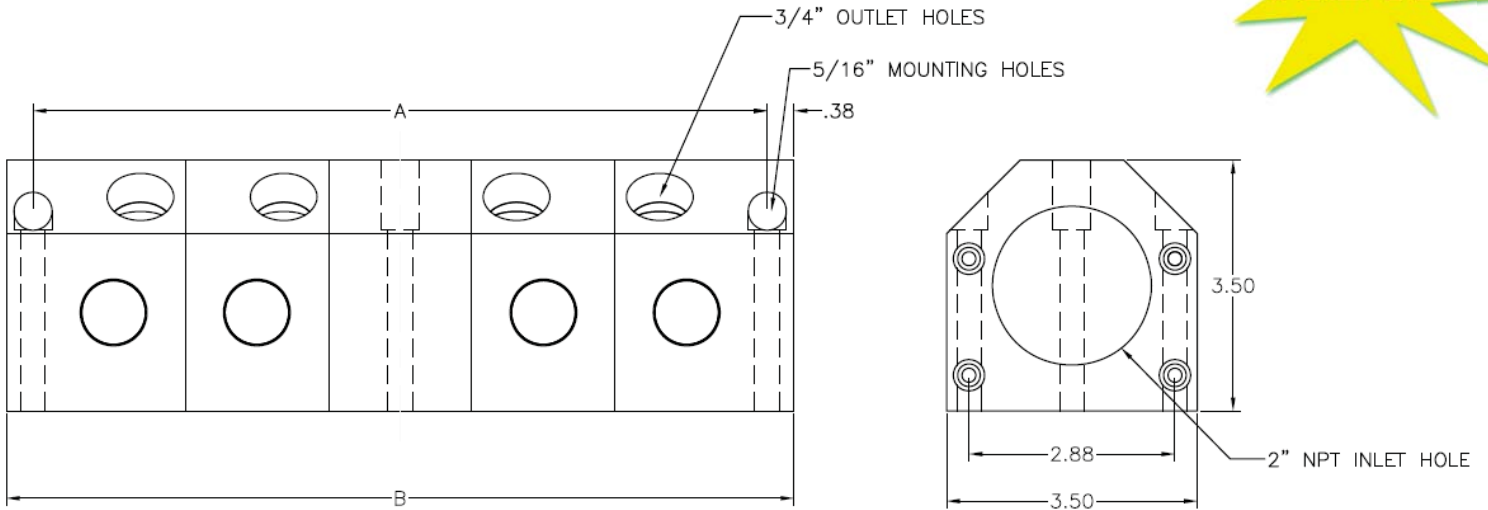


**From Configurator to CAD in a Few Clicks...**

Visit [www.pcs-company.com](http://www.pcs-company.com) to use our *e-KOOL* Assembly Configurator



## Typical Dimensioning for FB4 Series Assemblies



## Port-to-Divide (PD)

Assembly No.	Outlet Size	# of Red Outlets	# of Blue Outlets	# of Inlets	Dim. A	Dim. B
FB4-1-10-PD	3/4"	5	5	2	6.25"	7.00"
FB4-2-10-PD	3/4"	10	10	2	10.25"	11.00"
FB4-3-10-PD	3/4"	15	15	2	14.25"	15.00"
FB4-4-10-PD	3/4"	20	20	2	18.25"	19.00"
FB4-5-10-PD	3/4"	25	25	2	22.25"	23.00"



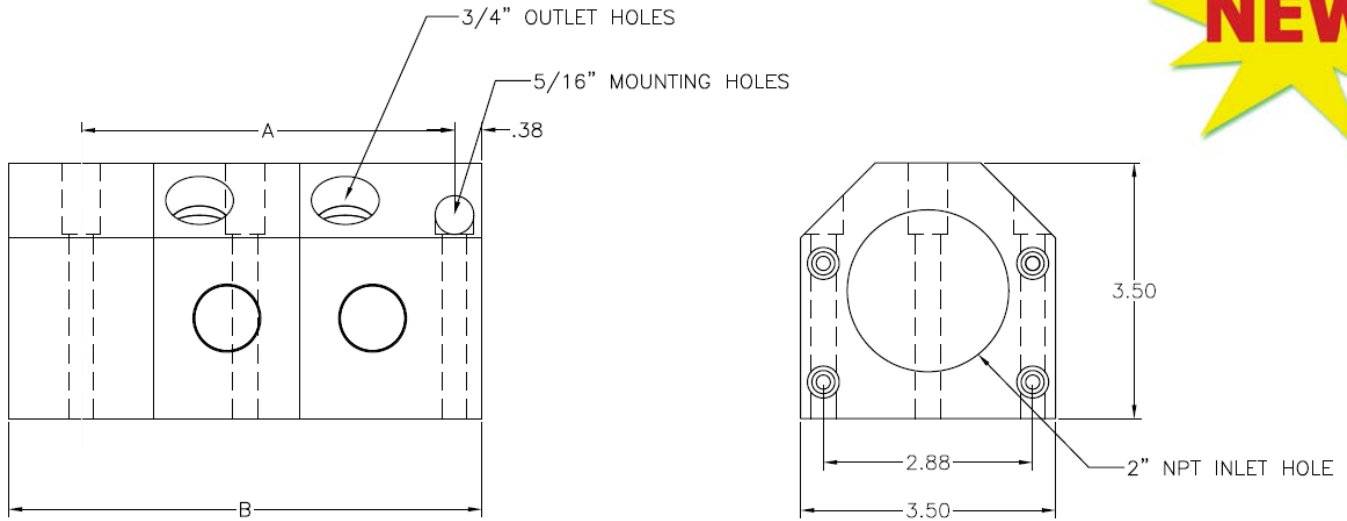
## 90° Port-to-Divide (PD)

Assembly No.	Outlet Size	# of Red Outlets	# of Blue Outlets	# of Inlets	Dim. A	Dim. B
FB490-1-10-PD	3/4"	3	3	2	6.75"	7.50"
FB490-2-10-PD	3/4"	8	8	2	9.75"	10.50"
FB490-3-10-PD	3/4"	13	13	2	12.75"	13.50"
FB490-4-10-PD	3/4"	18	18	2	15.75"	16.50"
FB490-5-10-PD	3/4"	23	23	2	18.75"	19.50"



Manifolds are assembled to order and shipped same day in most cases.

## Typical Dimensioning for FB4 Series Assemblies



### Port-to-Blank (PB)

Assembly No.	Outlet Size	Block Color	# of Outlets	# of Inlets	Dim. A	Dim. B
FB4-1-10-R-PB	3/4"	Red	5	1	3.13"	4.50"
FB4-2-10-R-PB	3/4"	Red	10	1	5.13"	6.50"
FB4-3-10-R-PB	3/4"	Red	15	1	7.13"	8.50"
FB4-4-10-R-PB	3/4"	Red	20	1	9.13"	10.50"
FB4-5-10-R-PB	3/4"	Red	25	1	11.13"	12.50"
FB4-1-10-B-PB	3/4"	Blue	5	1	3.13"	4.50"
FB4-2-10-B-PB	3/4"	Blue	10	1	5.13"	6.50"
FB4-3-10-B-PB	3/4"	Blue	15	1	7.13"	8.50"
FB4-4-10-B-PB	3/4"	Blue	20	1	9.13"	10.50"
FB4-5-10-B-PB	3/4"	Blue	25	1	11.13"	12.50"



FB4-2-10-B-PB  
SHOWN

### 90° Port-to-Blank (PB)

Assembly No.	Outlet Size	Block Colors	# of Outlets	# of Inlets	Dim. A	Dim. B
FB490-1-10-R-PB	3/4"	Red	3	1	4.13"	5.50"
FB490-2-10-R-PB	3/4"	Red	8	1	6.13"	7.50"
FB490-3-10-R-PB	3/4"	Red	13	1	8.13"	9.50"
FB490-4-10-R-PB	3/4"	Red	18	1	10.13"	11.50"
FB490-5-10-R-PB	3/4"	Red	23	1	12.13"	13.50"
FB490-1-10-B-PB	3/4"	Blue	3	1	4.13"	5.50"
FB490-2-10-B-PB	3/4"	Blue	8	1	6.13"	7.50"
FB490-3-10-B-PB	3/4"	Blue	13	1	8.13"	9.50"
FB490-4-10-B-PB	3/4"	Blue	18	1	10.13"	11.50"
FB490-5-10-B-PB	3/4"	Blue	23	1	12.13"	13.50"



FB490-2-10-R-PB  
SHOWN

Visit [www.pcs-company.com](http://www.pcs-company.com) to use our e-KOOL Assembly Configurator

## FB4 Series = 2" NPT Inlet

Block Size: 3.50" W x 3.50" H  
 Material: 6061-T6 Alum Manifold Bar Stock  
 Finish: Anodized  
 Mounting Hole Size: 5/16" SHCS  
 Inlet Hole: 2" NPT  
 Outlet Hole: 3/4"

### Blocks Sold Individually:

- ◆ After Purchase Modifications
- ◆ Spare Parts Inventory
- ◆ Build your own Assemblies

### First Block—Straight—(2" NPT Inlet)

Part No.	Outlet Size	Block Color	# of Outlets
FB4-FB-2-10-R	3/4"	Red	5
FB4-FB-2-10-B	3/4"	Blue	5



Front



Back

### First Block—90°—(2" NPT Inlet)

Part No.	Outlet Size	Block Color	# of Outlets
FB4-FB90-2-10-R	3/4"	Red	3
FB4-FB90-2-10-B	3/4"	Blue	3



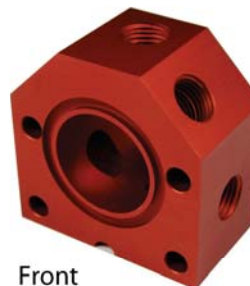
Front



Back

### Mod Block

Part No.	Outlet Size	Block Color	# of Outlets
FB4-MOD-10-R	3/4"	Red	5
FB4-MOD-10-B	3/4"	Blue	5



Front



Back

Manifolds are assembled to order and shipped same day in most cases.



Front



Back

### Mid Block (or End Block)

Part No.	Outlet Size	Block Color	# of Outlets
FB4-MIDB-1	n/a	Silver	0

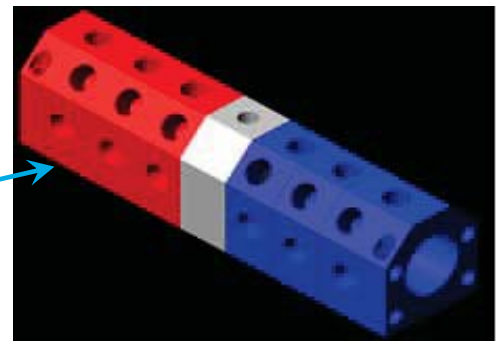
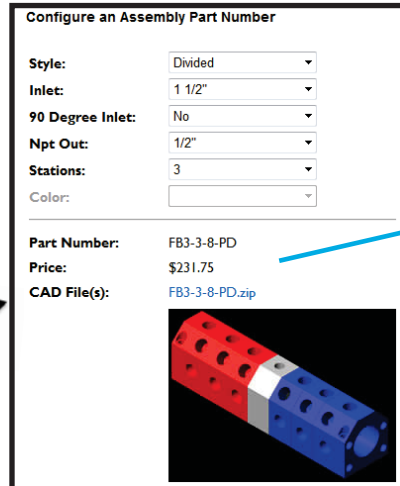
\*Used in both the PD and PB Configurations

### Miscellaneous Hardware



Part No.	Description
FB4-OR-1	Viton O-Ring
FB4-TR-1	M6-1.0 Tie Rod (Single Block)
FB4-SHCS-1	M6-1.0 x 25mm SS SHCS
FB4-SHCS-2	M6-1.0 x 30mm SS SHCS
FB4-SHCS-3	M6-1.0 x 40mm SS SHCS
FB4-SHCS-4	M6-1.0 x 45mm SS SHCS
FB4-SHCS-MNT	5/16" x 3" SS SHCS

## Visit our Online *e-KOOL* Configurator!



**From Configurator to CAD in a Few Clicks...**

Visit [www.pcs-company.com](http://www.pcs-company.com) to use our *e-KOOL* Assembly Configurator

- Pipe Plugs
- Pressure Plugs
- Connector Plugs
- Extension Plugs
- Socket Connectors
- Self-Grip Hose
- Hose Clamps
- Teflon Tape



Additional cooling products are  
available at [www.pcs-company.com](http://www.pcs-company.com)



# PCS COMPANY

[www.pcs-company.com](http://www.pcs-company.com)



## FLEX BLOCK SERIES

