

# HIGH HARDNESS SLIDE LATCH

**Features & Benefits:**

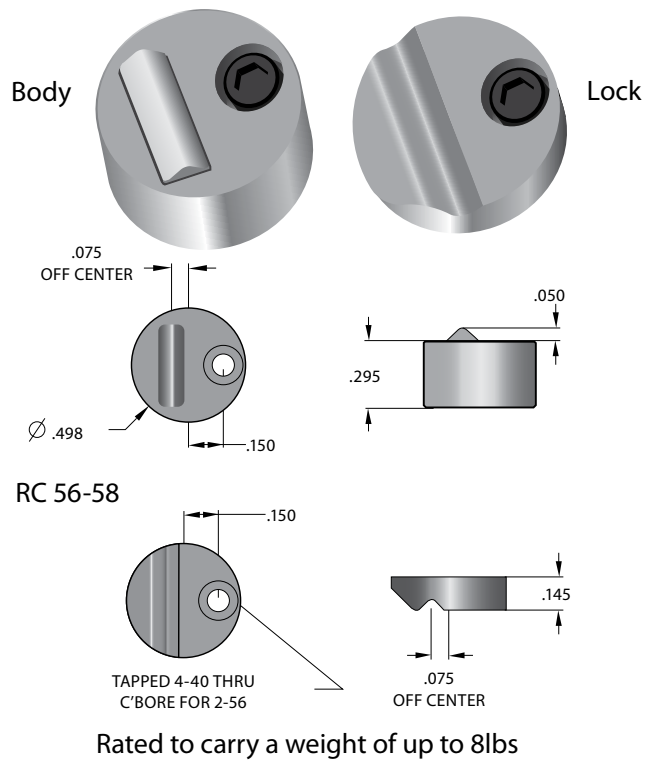
- Designed to prevent slipping of the slide within the mold base
- Small Footprint
- Holds rated weight without the use of hydraulics
- Hardware does not extend outside of the mold base exterior
- Easily retrofitted into molds with existing slides
- Provides slide retention
- Allows for increased production

**Available sizes:**

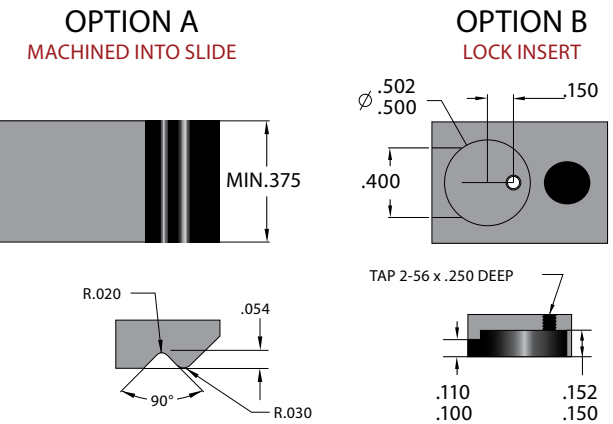
- SLK-8A
- SLK-25A
- SLK-50A

Installation instructions and design guidelines for each size slide latch can be seen below.

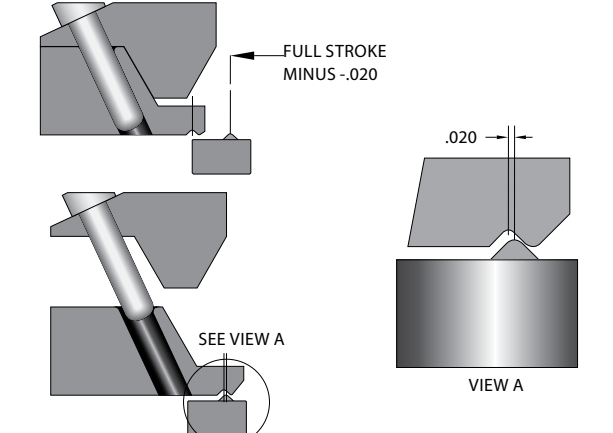
## PCS Company Part Number SLK-8A



### Installation Instructions - Lock

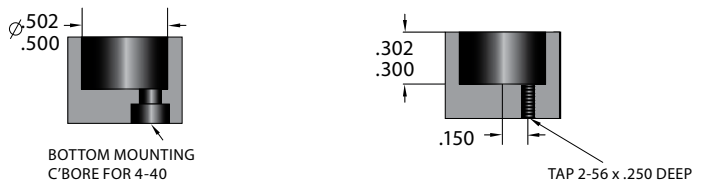


### Design Guidelines



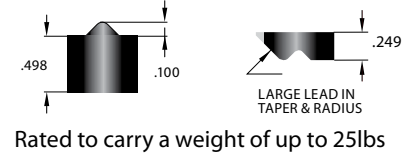
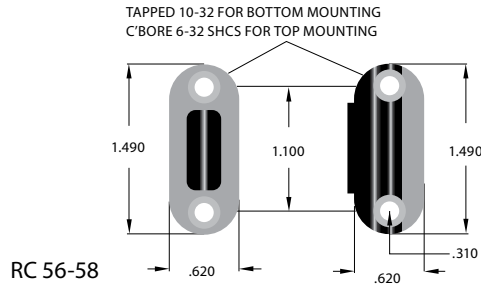
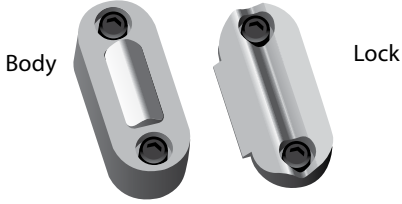
NOTE: Set angle pin to release .020 from full stroke. Striker will snap to full stroke to assure re-entry clearance of angle pin.

### Installation Instructions - Body

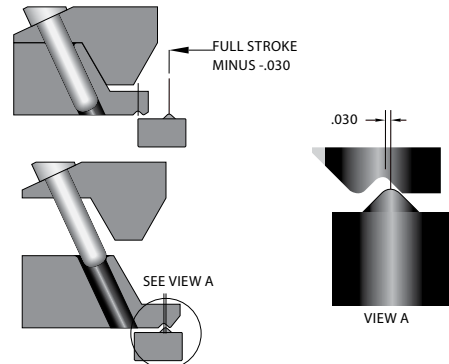


# HIGH HARDNESS SLIDE LATCH

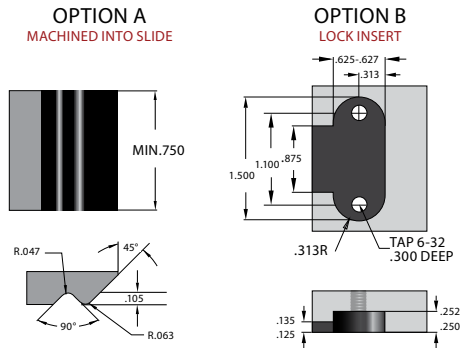
## PCS Company Part Number SLK-25A



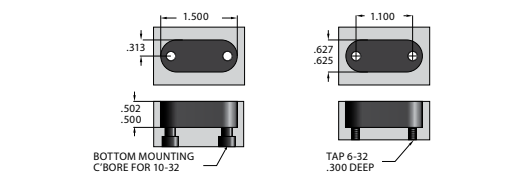
### Design Guidelines



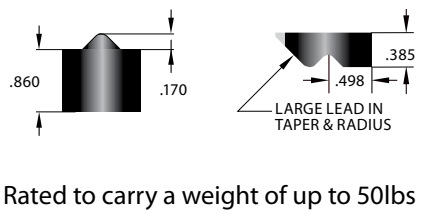
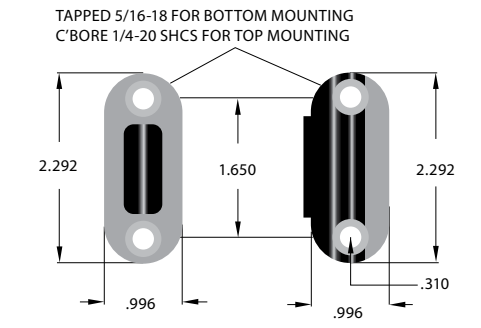
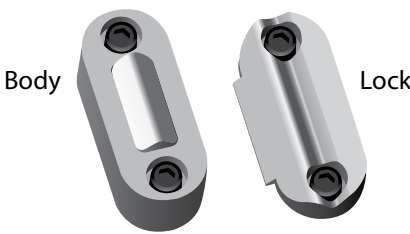
### Installation Instructions - Lock



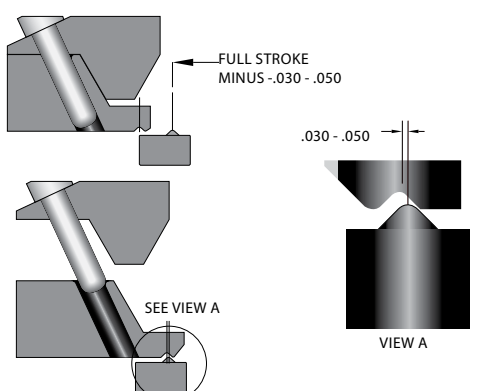
### Installation Instructions - Body



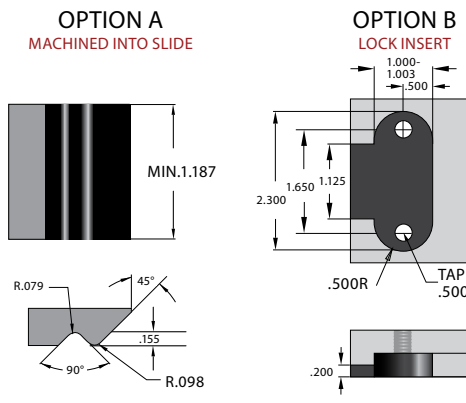
## PCS Company Part Number SLK-50A



### Design Guidelines



### Installation Instructions - Lock



### Installation Instructions - Body

