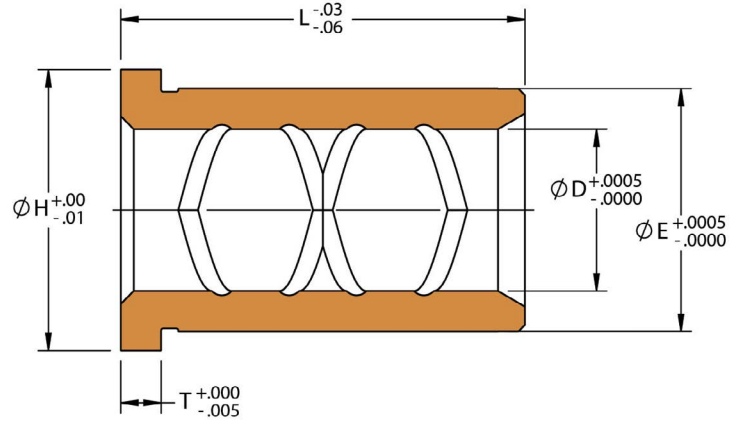


Shoulder Bushings - Solid Bronze



Features:

- High-strength precision ground bronze
- Extends mold lifetime
- Increased lubricity for smooth operation
- Internal grease grooves help prevent galling
- Resists wear & abrasion on high compressive loads

Material: AMPCO 18

Hardness: 92 Brinell Typical

GENERAL DIMENSIONS				
NOMINAL I.D.	D	E	H	T
3/4"	0.7505	1.1255	1.302	0.187
7/8"	0.8755	1.2505	1.427	0.187
1"	1.0005	1.3755	1.552	0.187
1-1/4"	1.2505	1.6255	1.802	0.187
1-1/2"	1.5005	2.0005	2.177	0.187
2"	2.0005	2.5005	2.677	0.187
2-1/2"	2.5005	3.2505	3.427	0.187
3"	3.0005	3.7505	3.990	0.500

L LENGTH	PART NUMBER							
	I.D. = 3/4"	I.D. = 7/8"	I.D. = 1"	I.D. = 1-1/4"	I.D. = 1-1/2"	I.D. = 2"	I.D. = 2-1/2"	I.D. = 3"
7/8"	SBF 06-07	SBF 07-07	SBF 08-07	SBF 10-07	SBF 12-07			
1-3/8"	SBF 06-13	SBF 07-13	SBF 08-13	SBF 10-13	SBF 12-13	SBF 16-13	SBF 20-13	
1-7/8"	SBF 06-17	SBF 07-17	SBF 08-17	SBF 10-17	SBF 12-17	SBF 16-17	SBF 20-17	
2-3/8"	SBF 06-23	SBF 07-23	SBF 08-23	SBF 10-23	SBF 12-23	SBF 16-23	SBF 20-23	
2-7/8"	SBF 06-27	SBF 07-27	SBF 08-27	SBF 10-27	SBF 12-27	SBF 16-27	SBF 20-27	
3-3/8"	SBF 06-33	SBF 07-33	SBF 08-33	SBF 10-33	SBF 12-33	SBF 16-33	SBF 20-33	
3-7/8"	SBF 06-37	SBF 07-37	SBF 08-37	SBF 10-37	SBF 12-37	SBF 16-37	SBF 20-37	SBF 24-37
4-3/8"	SBF 06-43	SBF 07-43	SBF 08-43	SBF 10-43	SBF 12-43	SBF 16-43	SBF 20-43	
4-7/8"	SBF 06-47	SBF 07-47	SBF 08-47	SBF 10-47	SBF 12-47	SBF 16-47	SBF 20-47	SBF 24-47
5-7/8"	SBF 06-57	SBF 07-57	SBF 08-57	SBF 10-57	SBF 12-57	SBF 16-57	SBF 20-37	SBF 24-57
7-7/8"								SBF 24-77