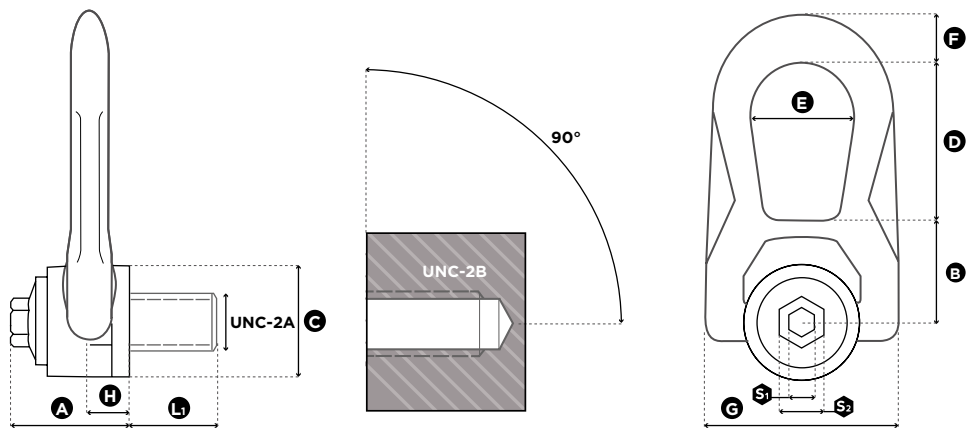


# SS.DSR

## STAINLESS STEEL DOUBLE SWIVEL RING

UNC THREADS



1 in = 25.4 mm

Reference	Diameter	SF 5:1 WLL (lbs)	SF 4:1 WLL (lbs)	Standard L <sub>1</sub> (mm)	Torque (ft-lb)	S <sub>1</sub> (mm)	S <sub>2</sub> (mm)	A (mm)	B (mm)	C (mm)	D (mm)	E (mm)	F (mm)	G (mm)	H (mm)	Weight (kg)
SS.DSR U 025	UNC 1/4"-20	400	500	13	3	8	16	32	30	30	39	28	13	53	9,5	0,3
SS.DSR U 516	UNC 5/16"-18	600	650	15	5	8	16	32	30	30	39	28	13	53	9,5	0,3
SS.DSR U 038	UNC 3/8"-16	1,000	1,000	17	8	8	16	32	30	30	39	28	13	53	9,5	0,3
SS.DSR U 050	UNC 1/2"-13	1,800	1,850	21	12	8	16	32	30	30	39	28	13	53	9,5	0,3
SS.DSR U 058	UNC 5/8"-11	2,500	3,000	27	40	8	20	44	40	45	53	38	17	76	13	0,9
SS.DSR U 075	UNC 3/4"-10	3,600	3,800	30	80	8	20	44	40	45	53	38	17	76	13	0,9
SS.DSR U 078	UNC 7/8"-9	5,000	5,100	33	90	14	24	62	55	58	83	56	25	115	19	2,5
SS.DSR U 100	UNC 1"-8	6,000	6,000	36	125	14	24	62	55	58	83	56	25	115	19	2,6